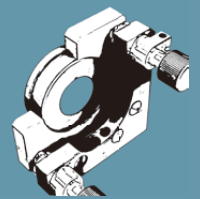




Opto-Mechanics



- MIRROR MOUNTS
- ADJUSTABLE LENS HOLDERS
 - LENS HOLDERS
- SELF-CENTERING LENS HOLDERS
 - SPECIAL LENS Holder
 - POLARIZER HOLDERS
- CYLINDRICAL LENS HOLDERS
 - FILTER HOLDERS
- ADJUSTABLE PLATE HOLDER
- PRECISION PRISM MOUNTS
 - BEAM STEERERS
 - OPTIC ADAPTORS
- PRECISION LASER MOUNTS
 - BASEPLATES
 - MAGNETIC BASES
- RIGHT ANGLE BRACKETS
 - BASE CLAMPS
- FINE ADJUSTMENT SCREWS
 - MICROMETERS
- SCREW ADAPTORS
- SUPPORT POSTS
 - POST LIMIT
 - POST HOLDERS
- ROTATIONAL POST HOLDERS
- COARSE-FINE ADJUSTMENT POST HOLDERS
 - CROSS POST HOLDERS
 - ROTATIONAL HOLDERS
 - SUPPORT RODS
 - ROD CLAMP
 - SLIDING RAILS
 - RAIL CARRIERS
- PRECISION FIBER COUPLERS
- PRECISION FIBER POSITIONING SYSTEM
- FIBER CLAMPING APPARATUS
- PRECISION SPATIAL FILTERS
 - PINHOLES
 - PINHOLE MOUNT
 - IRIS DIAPHRAGMS
- IRIS DIAPHRAGMS MOUNTS
 - ADJUSTABLE SLITS
 - ACCESSORIES

CONTENT

Opto-Mechanics F2

CONTENT	F2-F4
Brief introduction	F5

MIRROR MOUNTS F6

7MM01 Two-dimensional Mirror Mounts	F6
7MM02 Two-dimensional Mirror Mounts	F6
7MM03 Two-dimensional Mirror Mounts	F7
7MM04 Two-dimensional Mirror Mounts	F8
7MM05 Two-dimensional Mirror Mounts	F8
7MM06 Two-dimensional Mirror Mounts	F8
7MM06254A Two-dimensional Mirror Mounts	F9
7MM07 Two-dimensional Mirror Mounts	F9
7MM07762 Two-dimensional Mirror Mount	F9
7MM07100 Two-dimensional Mirror Mount	F10
7MM08 Two-dimensional Mirror Mounts	F10
7MM0940 Two-dimensional Mirror Mount	F10
7MM0950 Two-dimensional Mirror Mount	F11
7MM1050 Two-dimensional Mirror Mount	F11
7MM11100 V-shape Mirror Mount	F12
7MM1230 Two-dimensional Translation Mirror Mount	F12
7MM15 Two-dimensional Mirror Mounts	F12
7MM16 Two-dimensional Mirror Mounts	F13
7MM17160 Two-dimensional Mirror Mount	F13
7MM1820 Horizontal Mirror Mount	F14
7MM19200 Mirror Mount for Large Diameter	F14
7MM21 Three-dimensional Mirror Mounts	F14
7MMO1 Two-dimensional Microobjective Mounts	F15
7MMRA1200 Electric Two-dimensional Rotating Mirror Mount	F15

ADJUSTABLE LENS HOLDERS F16

7MML1 series Adjustable Lens Holders	F16
7MML2 series Adjustable Lens Holders	F16

LENS HOLDERS F17

7MML3 series Lens Holders	F17
---------------------------------	-----

SELF-CENTERING LENS HOLDERS F17

7MML4 Self-centering Lens Holders	F17
---	-----

SPECIAL LENS HOLDER F17

7MML516 Four-dimensional Lens Holder	F17
7MML620 Magnetic Lens Holder	F18
7MML7 series Two-dimensional Lens Holders	F18

POLARIZER HOLDERS F18

7MMP1 series Polarizer Holders	F18
7MMP2254 Polarizer Holder	F19
7MMP350 Polarizer Holder	F19
7MMP4 series Polarizer Holders	F19
7MMPH1 Polarizer Holder	F20

CYLINDRICAL LENS HOLDERS F20

7MMC125 Cylindrical Lens Holder	F20
7MMC151 Cylindrical Lens Holder	F20
7MMC251 Three-dimensional Cylindrical Lens Holder	F21
7MMC3 series Two-dimensional Cylindrical Lens Holders	F21

FILTER HOLDERS F21

7MMF1 series Filter holders	F21
7MMF203 Filter holder	F22
7MMF3254/7MMF3254S Filter Wheel	F22
7MMF525 Electric Filter Wheel	F22
7MMF650 Circular Gradient Density Filter Holder	F23

ADJUSTABLE PLATE HOLDER F23

7MMT104 Plate Holder	F23
7MMT207/217 Plate holders	F23

PRECISION PRISM MOUNTS F24

7MMR130 Two-dimensional Prism Mount	F24
7MMR150 Two-dimensional Prism Mount	F24
7MMR246 Three-dimensional Prism Mount	F24

BEAM STEERERS F25

7MMS1 series Beam Steerers	F25
7MMS225 Prism Beam Steerer	F25
7MMS3 series Beam Steerers	F25

OPTIC ADAPTORS F26

7MA1 series Optic Adaptors	F26
7MA2 series Optic Adaptors	F26
7MA3 series Optical Adaptors	F26
7MA4127 Optical Adaptor	F26

PRECISION LASER MOUNTS F27

7MMA1 Laser Mount	F27
-------------------------	-----

7MMA2 Laser Mount	F27
7MMA3 Laser Mount	F27
7MMA4 Laser Mount	F28

BASEPLATES F28

7MB1 Baseplate	F28
7MB2 Baseplate	F28
7MB3 Baseplate	F28
7MB4 Baseplate	F29
7MB5 Baseplate	F29
7MB6 Baseplate	F29
7MB7 Baseplate	F29
7MB8/7MB9/7MB10 Baseplate	F30
7MB11 Baseplate	F30
7MB12 Baseplate	F30
7MB13 Baseplate	F30
7MB14 Baseplate	F31
7MB15 Baseplate	F31
7MB16 Baseplate	F31
7MB17 Baseplate	F31
7MB18 Baseplate	F32
7MB18 ABaseplate	F32
7MB19 Baseplate	F32
7MB20 Baseplate	F32
7MB21 Baseplate	F33
7MB22 Baseplate	F33
7MB23 Two-dimensional Baseplate	F33
7MB24 Baseplate	F33
7MB25 Baseplate	F34
7MB26 Baseplate	F34
7MB27 Baseplate	F34
7MB28 Baseplate	F34

MAGNETIC BASES F35

7MBM1/7MBM2 Magnetic Base	F35
7MBM3 Integrated Magnetic Base	F35
7MBM4 Magnetic Base	F36
7MBM5 Magnetic Base	F36

RIGHT ANGLE BRACKETS F36

7MBR1 Right Angle Bracket	F36
7MBR2 Right Angle Bracket	F37
7MBR3 Right Angle Bracket	F37
7MBR4 Right Angle Bracket	F37
7MBR5 Right Angle Bracket	F37
7MBR6 Right Angle Bracket	F38
7MBR7 Right Angle Bracket	F38
7MBR8 Right Angle Bracket	F38
7MBR9 Right Angle Bracket	F38

BASE CLAMPS F38

7MC1 Base Clamp	F38
7MC2 Base Clamp	F38
7MC3 Base Clamp	F39
7MC5 Base Clamp	F39
7MC4 Base Clamp	F39
7MC6 Base Clamp	F39
7MC7 Fork Clamp	F39
7MCB1 Fork Clamp Mount	F39

FINE ADJUSTMENT SCREWS F40

7MS1/7MS2 series Fine Screws	F40
7MS3 / 7MS4 series Fine Screws	F40
7MS5 series Rxial Locking Screws	F41
7MS6 series Radial Locking Screws	F41
7MS7 series Fine Screws	F41

MICROMETERS F41

7MSM1/7MSM2 series Micrometers	F41
7MSM325 Straight Micrometer	F42
7MSM525 No-parallax Micromete	F42

SCREW ADAPTORS F42

7MSA164 Screw Adaptor	F42
7MSA264 Screw Adaptor	F42
7MSA168 Screw Adaptor	F42
7MSA268 Screw Adaptor	F42
7MSA364 Nut Adaptor	F43

SUPPORT POSTS F43

7MP series Support Posts	F43
7MP1 series Support Posts	F43
7MP2 series Support Posts	F43
7MP3 series Support Posts	F44
7MP4 series Support Posts	F44
7MP5 series Support Posts	F44
7MP6 series Support Posts	F44

POST LIMIT F45

7MPL1 Post Limit	F45
------------------------	-----

POST HOLDERS F45

7MH1 series Post Holders	F45
7MH2 series Post Holders	F45

ROTATIONAL POST HOLDERS F46

7MHR1 series Rotational Post Clamps	F46
---	-----

COARSE-FINE ADJUSTMENT POST HOLDERS F46

7MHV1 series Lifting Post Holders	F46
7MHV250 Lifting Post Holders	F46

CONTENT

CROSS POST HOLDERS	F47	7MFP06 Magnetic Clamping Mount	F56
7MHC1 Cross Post Holder	F47	7MFP07 Adaptor	F57
7MHC2 Cross Post Holder	F47	7MFP08 Autofocus Lens holder	F57
7MHC3 series Universal Post holders	F47	7MFP09 Microobjective Mount	F57
ROTATIONAL HOLDERS	F47	7MFP10 Dovetail Rack	F57
7MRH1 Rotational Holders	F47	7MFP11 Dovetail Rack.....	F57
7MRH2 Rotational Holder.....	F48	7MFP12 Dovetail Mount	F58
SUPPORT RODS	F48	FIBER clamping apparatus	F58
7MPR1 series Support Rods	F48	7MFH1 Fiber clamping apparatus	F58
7MPR2 series Support Rods with Gear	F48	7MFH2 Fiber clamping apparatus	F58
ROD CLAMP	F49	7MFH3 V-shape Fiber clamping apparatus	F58
7MPC1 Rod Clamp	F49	7MFH4 V-Shape Fiber clamping apparatus	F58
7MPC2 Rod Clamp with Gear	F49	PRECISION SPATIAL FILTERS	F59
7MPC3 Right Angle Rod Clamp	F49	7MFS1 Spatial Filter	F59
7MPC4 Five-surface Rod Clamp	F50	7MFS2 Pinhole Mount	F59
7MPC5 Rod Clamp Lifter	F50	7MFS2M Adjusting Mount	F59
SLIDING RAILS	F50	PINHOLES	F60
7MR2 series Sliding Rails.....	F50	7MO series Pin Holes	F60
RAIL CARRIERS	F51	PINHOLE MOUNT	F60
7MRC2 Rail Carriers	F51	7MOM108 Pinhole Mount.....	F60
7MRC24 Rail Carrier	F51	IRIS DIAPHRAGMS	F60
7MRS Rail Support	F51	7MD series diaphragm.....	F60
PRECISION FIBER COUPLERS	F52	IRIS DIAPHRAGMS MOUNTS	F61
7MFC1 Fiber Coupler	F52	7MDM IRIS Diaphragms Mounts	F61
7MFC2 Fiber Coupler	F52	ADJUSTABLE SLITS	F61
7MFC3 Fiber Coupler	F52	7MAS114 One-way Slit	F61
7MFC301 Fiber coupler	F53	7MAS120 One-way Slit	F61
7MFC4 series Fiber Couplers	F53	7MAS214 One-way Slit	F62
7MFC401 Fiber Coupler	F53	7MAS220 One-way Slit	F62
7MFC402 Fiber Coupler	F54	7MAS320 Four-way Slit	F62
7MFC403 Fiber Coupler	F54	7MAS403 Two-way Slit	F62
7MFC404 Fiber Coupler	F54	7MAS525 Two-way Slit	F63
7MFC405 Fiber Coupler	F54	ACCESSORIES	F63
PRECISION FIBER POSITIONING SYSTEM	F55	7AS1 Screw Box	F63
7MFP series Fiber Positioning System	F55	7AT4 Tool Handwheel	F63
7MFP01 Three-dimensional Translation Mount	F55	7AT5 Wrench for Pressing Ring	F63
7MFP02 Two-dimensional Tilt Mount.....	F55	7AT1 Small Inner Hexagon Spanners	F63
7MFP03 Two-Dimensional Translation Mount.....	F56	7AT2 Big Inner Hexagon Spanners	F63
7MFP04 Angular Adjusting Mount	F56	7AT3 Screwdrivers	F63
7MFP05 Clamping Mount.....	F56		

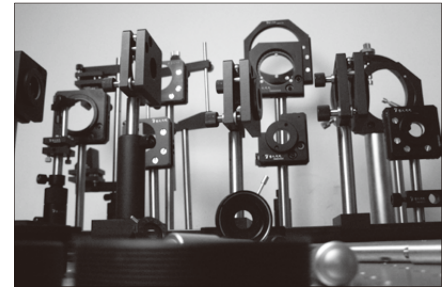


Brief introduction

The opto-mechanics series products are mainly used for optical test or fixing and adjusting optical components inside optoelectronic instruments. Main products include all kinds of mounts, i.e post holders, baseplates, optical sliding tracks, multi-degree adjustable frame etc. SOFN instruments Co., Ltd. has produced dozens of opto-mechanics series with hundreds of specifications according to their rich experience in R & D. Each for your consideration, you should only know clearly your needs, the solution will be made.

Series code:7M

- ☆ Length units without mark will be mm
- ☆ □ Means holes C'BORED
- ☆ ▽ Means deep



Choosing Tips

In order to maximumly meet your needs, our company currently has developed hundreds of opto-mechanics products and still continue to make new ones. Each product has its own characteristics; please carefully read the instructions so that you can quickly choose the one you need from the products and save your valuable time. Some shortcuts are as following.

As shown in the picture above, opto-mechanics products can be divided into A, B, C three categories

Products A: These series products are used for fixing optical components, laser diodes or detectors. Their models are mostly begun with "7MM". You can select them according to the corresponding types and specifications of optical components. Note: Opto-mechanics

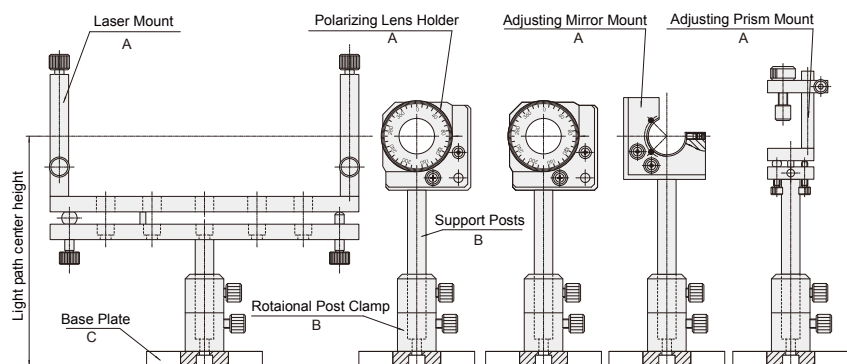
products have multiple clamping and adjusting modes with same specifications. Please correctly select it according to the actual condition of the optical path. For example: For the spectral lens with diameter 20mm, mirror mounts with two dimensions adjustments in several series can be selected. In the same time you must consider whether the light in the optical path and whether regular replacement lenses must be made to choose frames with open gap. Finally decide the workholding with pressure ring mounted or by three screws.

Products B: These series products are used for supporting product A. Their models are mostly begun with 7MP or 7MH. In an optical system, dimensions of optical components are different and so do the corresponding fixed sizes on products A. In order to ensure the same center height, we need products B to support and adjust. Generally speaking, we choose the maximum optics to determine the center height of the optical system. Other components should be adjusted by the supports with different height. If you need lifting or rotating, you can choose the lifting or rotating holders which can realize fine-adjustment in compact space with convenience and low cost. Note: be sure to consider the connection mode of products A and products C. For instance, connecting A and B with a screw, there should be through holes on A and screw holes on B and vice versa.

Products C These series products are used for fixing product A and B on optical platform or base, transition connecting or precision adjusting. Their models are mostly begun with "7MB". There are many kinds of holes with different diameters or distances suitable for different installation. Please pay attention to the ancillary products. Generally speaking, the distance of M4 thread is 34mm and 63mm, the distance of M6 thread is 25mm or its multiple.

Other products: Such as fiber coupler, spatial filter and slit are used for special applications. Optical slide rail is convenient for optical system. Appendix such as fine thread and micrometer are convenient to exchange for different needs due to the same installed size. Note: pitch of fine thread is only 0.25mm, the actual resolution and accuracy is higher than that of the ordinary micrometer head (0.5mm pitch). Without the need for quantitative adjustment, we recommend to use it.

In addition, for our company's opto-mechanics series products, except support posts, supporting bar (considering the high rigidity) and precision optical fiber adjustment system (considering the high thermal stability) made of stainless steel, the others uses the high quality aluminum alloy, based on international standard, which has the characteristics of high hard to weight ratio, good thermal conductivity, low temperature resistance, corrosion resistance, anti vibration, specially after anodic oxidation, and is the best material for optical applications.



Solar Cell Performance
Testing Department

Photoconductive
Testing Department

Special Measurement
Instrument

Precision Positioning
Systems

Stages

Opto-
Mechanics

Tables

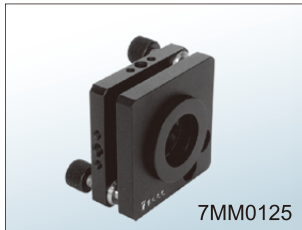
Optical
Elements



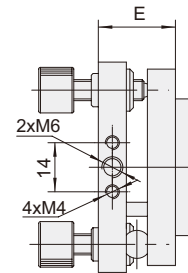
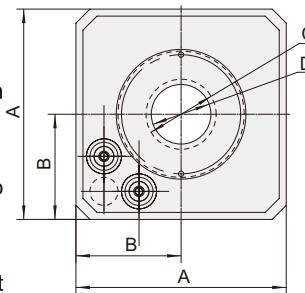
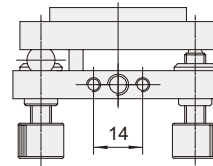
MIRROR MOUNTS

By mirror mounts, the lens can be tilted in two dimensions or multi-dimensional fixed adjustment. Adjustment screw is M6×0.25 fine teeth screw and provide fine adjustment. According to the different clamping way, different diameter, different adjustment screw, different elastic reset mode, the products can be classified to nearly a hundred kinds of specifications, widely used in optical related research, teaching and industry, especially in laser marking, laser welding, laser engraving, laser scribing and other laser processing equipments.

7MM01 Two-dimensional Mirror Mounts



CAD 7MM01 series



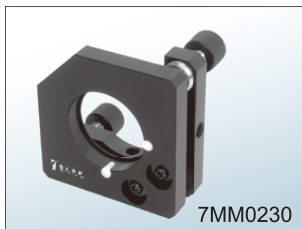
Characteristics:

- M6×0.25 fine thread for adjustment (with copper nut)
- Belleville spring for reset, reset force can be adjusted, from zero to rigidity
- Range of adjustment $\pm 3^\circ$
- Barrel clamping lens, lens can be installed before fixed to the mount
- PTFE gasket, protecting lens
- Mounting holes in two directions, suitable for different optical path

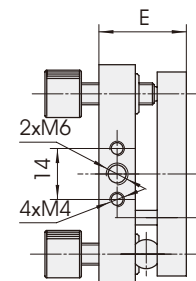
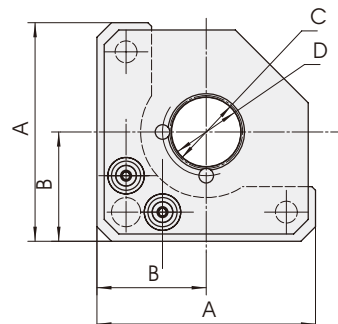
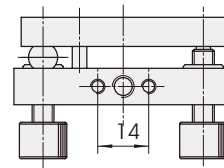
Specifications:

Model	7MM0115	7MM0120	7MM0125	7MM01254	7MM0130	7MM0140	7MM0150
A	60	60	60	60	60	80	80
B	30	30	30	30	30	40	40
Diameter of lens C	15	20	25	25.4(1in)	30	40	50
Aperture D	13	18	23	23	28	38	46
E	22	22	22	22	22	26	26
Weight/g	161	156	151	150	143	242	219

7MM02 Two-dimensional Mirror Mounts



CAD 7MM02 series



Characteristics:

- M6×0.25 fine thread for adjustment (with copper nut)
- Belleville spring for reset, reset force can be adjusted, from zero to rigidity
- Range of adjustment $\pm 3^\circ$
- Three PTFE supporting, protecting lens
- Mounting holes in two directions, suitable for different optical path

- Solar Cell Performance Testing Department
- Photoconductive Testing Department
- Spectral Measurement Instrument
- Precision Positioning Systems
- Stages
- Opto-Mechanics
- Tables
- Optical Elements
- MIRROR MOUNTS
- ADJUSTABLE LENS HOLDERS
- LENS HOLDERS
- SELF-CENTERING LENS HOLDERS
- SPECIAL LENS HOLDER
- POLARIZER HOLDERS
- CYLINDRICAL LENS HOLDERS
- FILTER HOLDERS
- ADJUSTABLE PLATE HOLDER
- PRECISION PRISM MOUNTS
- BEAM STEERERS
- OPTIC ADAPTORS
- PRECISION LASER MOUNTS
- BASEPLATES
- MAGNETIC BASES
- RIGHT ANGLE BRACKETS
- BASE CLAMPS
- FINE ADJUSTMENT SCREWS
- MICROMETERS
- SCREW ADAPTORS
- SUPPORT POSTS
- POST LIMIT
- POST HOLDERS
- ROTATIONAL POST HOLDERS
- CROSS-FINE ADJUSTMENT POST HOLDERS
- CROSS POST HOLDERS
- ROTATIONAL HOLDERS
- SUPPORT RODS
- ROD CLAMP
- SLIDING RAILS
- RAIL CARRIERS
- PRECISION FIBER COUPLERS
- PRECISION FIBER POSITIONING SYSTEM
- FIBER CLAMPING APPARATUS
- PRECISION SPATIAL FILTERS
- FINHOLES
- FINHOLE MOUNT
- IRIS DIAPHRAGMS
- IRIS DIAPHRAGMS MOUNTS
- ADJUSTABLE SLITS
- ACCESSORIES



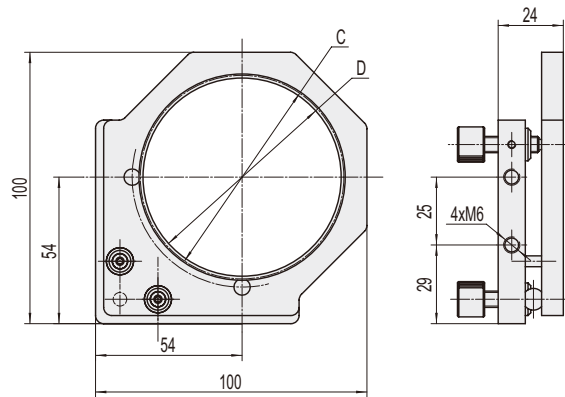
Specifications:

Model	7MM0220	7MM0225	7MM02254	7MM230	7MM0240	7MM0250
A	60	60	60	60	80	80
B	30	30	30	30	40	40
Diameter of lens C	20	25	25.4(1in)	30	40	50
Aperture D	19	24	24.4	29	39	49
E	22	22	22	22	24	24
Weight/g	115	111	110	106	165	150

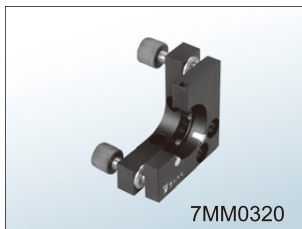
Specifications:

Model	7MM0275	7MM02762
Diameter of lens C	75	76.2(3in)
Aperture D	73	74.2
Net Weight /g	162	159

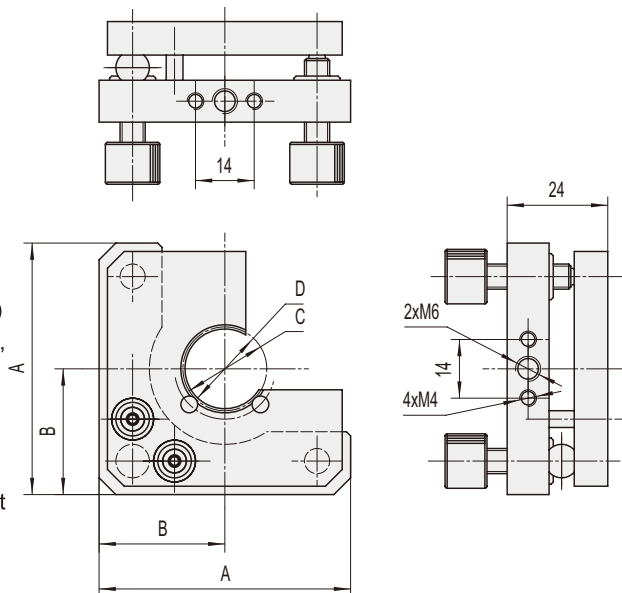
CAD 7MM0275/02762



7MM03 Two-dimensional Mirror Mounts



CAD 7MM03 series



Characteristics:

- M6×0.25 fine thread for adjustment (with copper nut)
- Belleville spring for reset, reset force can be adjusted, from zero to rigidity
- Range of adjustment ±3°
- Open structure, fast clamping, larger aperture
- Three PTFE supporting, protecting lens
- Mounting holes in two directions, suitable for different optical path

Specifications:

Model	7MM0315	7MM0320	7MM0325	7MM0330	7MM0340	7MM0350	7MM03254	7MM03508
A	60	60	60	60	80	80	60	80
B	30	30	30	30	40	40	30	40
Diameter of lens C	15	20	25	30	40	50	25.4(1in)	50.8(2in)
Aperture D	14	19	24	29	39	49	24.4	49.8
Weight/g	107	104	101	96	142	130	100	129

MIRROR MOUNTS

- ADJUSTABLE LENS HOLDERS
- SELF-CENTERING LENS HOLDERS
- SPECIAL LENS HOLDER
- POLARIZER HOLDERS
- CYLINDRICAL LENS HOLDERS
- FILTER HOLDERS
- ADJUSTABLE PLATE HOLDER
- PRECISION PRISM MOUNTS
- BEAM STEERERS
- OPTIC ADAPTORS
- PRECISION LASER MOUNTS
- BASEPLATES
- MAGNETIC BASES
- RIGHT ANGLE BRACKETS
- BASE CLAMPS
- FINE ADJUSTMENT SCREWS
- MICROMETERS
- SCREW ADAPTORS
- SUPPORT POSTS
- POST LIMIT
- POST HOLDERS
- ROTATIONAL POST HOLDERS
- COARSE FINE ADJUSTMENT POST HOLDERS
- CROSS POST HOLDERS
- ROTATIONAL HOLDERS
- SUPPORT RODS
- ROD CLAMP
- SLIDING RAILS
- RAIL CARRIERS
- PRECISION FIBER COOLERS
- PRECISION FIBER POSITIONING SYSTEM
- FIBER CLAMPING APPARATUS
- PRECISION SPECTRAL FILTERS
- PINHOLES
- PIN-OLE MOUNT
- IRIS DIAPHRAGMS
- IRIS DIAPHRAGM MOUNTS
- ADJUSTABLE SLITS
- ACCESSORIES



Solar Cell Performance
Testing Department

Photovoltaic
Testing Department

Spectral Measurement
Instrument

Precision Positioning
Systems

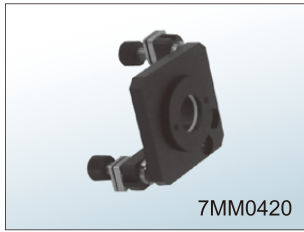
Stages

Opto-
Mechanics

Tables

Optical
Elements

7MM04 Two-dimensional Mirror Mounts



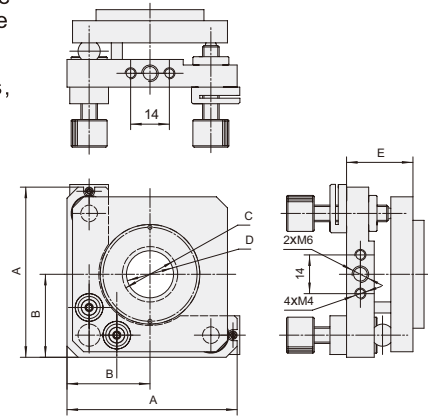
Characteristics:

- M6×0.25 fine thread for adjustment with special copper nut, which can be locked axially to prevent loosening caused by vibration
- Belleville spring for reset, reset force can be adjusted, from zero to rigidity
- Range of adjustment $\pm 3^\circ$
- Barrel clamping lens, lens can be installed and fixed to the adjusting frame
- PTFE gasket, protecting lens
- Mounting holes in two directions, suitable for different optical path

Specifications:

Model	7MM0420	7MM0425	7MM0430	7MM0440
A	61.5	61.5	61.5	81.5
B	30	30	30	40
diameter of lens C	20	25	30	40
Aperture D	18	23	28	38
E	24	24	24	26
Weight/g	160	156	150	235

CAD 7MM04 series



7MM05 Two-dimensional Mirror Mounts



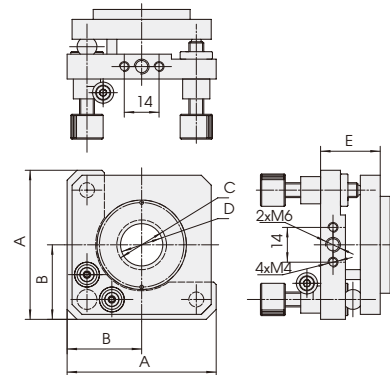
Characteristics:

- M6×0.25 fine thread for adjustment with special copper nut, which can be locked radially to prevent loosening caused by vibration
- Belleville spring for reset, reset force can be adjusted, from zero to rigidity
- Range of adjustment $\pm 3^\circ$
- Barrel clamping lens, lens can be installed before fixed to the mount
- PTFE gasket, protecting lens
- Mounting holes in two directions, suitable for different optical path

Specifications:

Model	7MM0520	7MM0525	7MM0530	7MM05110
A	60	60	60	157
B	30	30	30	85
diameter of lens D	20	25	30	110
Aperture D	18	23	28	106
E	24	24	24	37
Weight/g	155	150	142	882

CAD 7MM05 series



7MM06 Two-dimensional Mirror Mounts



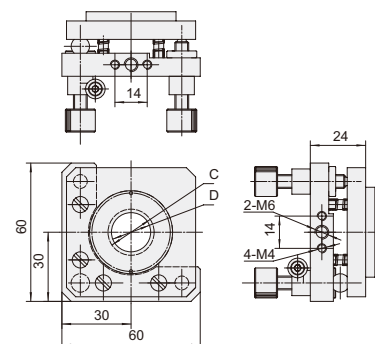
Characteristics:

- Perfectly combined with a variety of two-dimensional mirror mounts
- M6×0.25 fine thread for adjustment with special copper nut, which can be locked axially to prevent loosening caused by vibration
- High performance tension spring for reset with uniform resetting force to reduce stress
- Range of adjustment $\pm 3^\circ$
- Barrel clamping lens, lens can be installed and fixed to the adjusting mount
- PTFE gasket, protecting lens
- Mounting holes in two directions, suitable for different optical path

Specifications:

Model	7MM0620	7MM06254	7MM06254A
Diameter of lens C	20		25.4
Aperture D	18		23
Weight/g	160	155	175

CAD 7MM0620/06254



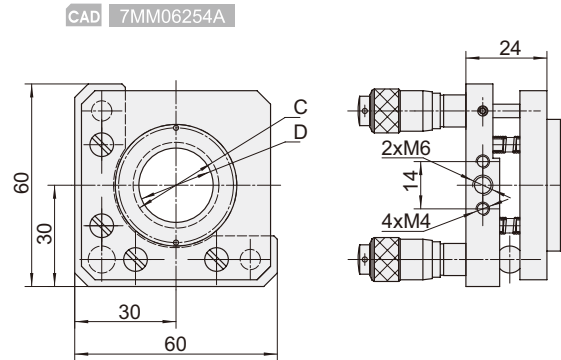
MIRROR MOUNTS
ADJUSTABLE LENS HOLDERS
LENS HOLDERS
SELF-CENTERING LENS HOLDERS
SPECIAL LENS HOLDER
POLARIZER HOLDERS
CYLINDRICAL LENS HOLDERS
FILTER HOLDERS
ADJUSTABLE PLATE HOLDER
PRECISION PRISM MOUNTS
BEAM STEERERS
OPTIC ADAPTORS
PRECISION LASER MOUNTS
BASEPLATES
MAGNETIC BASES
RIGHT ANGLE BRACKETS
BASE CLAMPS
FINE ADJUSTMENT SCREWS
MICROMETERS
SCREW ADAPTORS
SUPPORT POSTS
POST LIMIT
POST HOLDERS
ROTATIONAL POST HOLDERS
COARSE/FINE ADJUSTMENT POST HOLDERS
CROSS POST HOLDERS
ROTATIONAL HOLDERS
SUPPORT RODS
ROD CLAMP
SLIDING RAILS
RAIL CARRIERS
PRECISION FIBER COUPLERS
PRECISION FIBER POSITIONING SYSTEM
FIBER CLAMPING APPARATUS
PRECISION SPATIAL FILTERS
PINHOLES
PINHOLE MOUNT
IRIS DIAPHRAGMS
IRIS DIAPHRAGM MOUNTS
ADJUSTABLE SLITS
ACCESSORIES



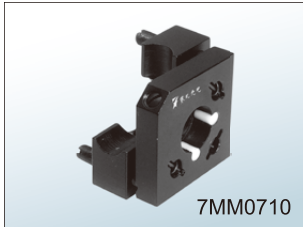
7MM06254A Two-dimensional Mirror Mounts

Characteristics:

- On the basis of 7MM06254, the fine thread is changed by a micrometer, so it is more precise and quantitative.



7MM07 Two-dimensional Mirror Mounts



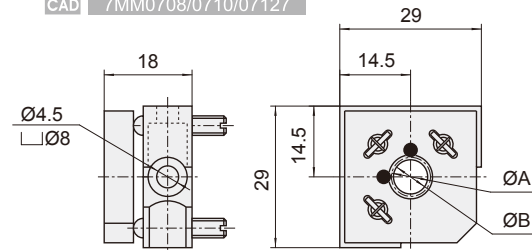
Characteristics:

- M6×0.25 fine thread adjustment (partly with copper nut)
- High performance tension spring for reset with uniform resetting force to reduce stress
- Range of adjustment $\pm 3^\circ$
- Three PTFE supporting, protecting lens
- Mounting holes in two directions, suitable for different optical path

Specifications:

Model	7MM0708	7MM0710	7MM07127
Diameter of lens C	8	10	12.7(0.5in)
Aperture D	7	9	11.7
Weight/g	30	29	28

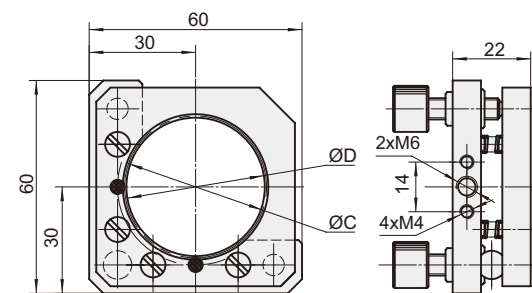
CAD 7MM0708/0710/07127



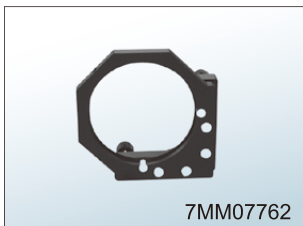
Specifications:

Model	7MM0715	7MM07381	7MM0740
Diameter of lens C	15	38.1(1.5in)	40
Aperture D	14	37.1	39
Weight/g	125	103	101

CAD 7MM0715/07381/0740

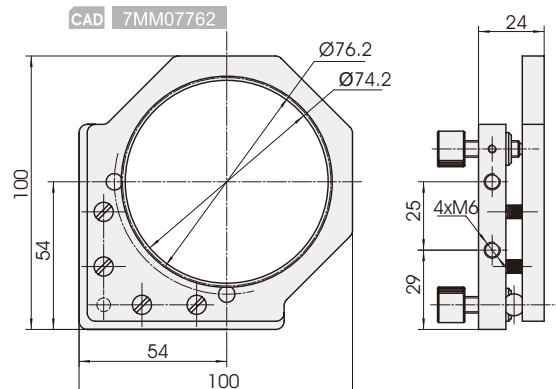


7MM07762 Two-dimensional Mirror Mount



Weight	166g
--------	------

CAD 7MM07762



- Solar Cell Performance Testing Department
- Photoconductive Testing Department
- Special Measurement Instrument
- Precision Positioning Systems
- Stages
- Opto-Mechanics
- Tables
- Optical Elements

MIRROR MOUNTS

- ADJUSTABLE LENS HOLDERS
- LENS HOLDERS
- SELF-CENTERING LENS HOLDERS
- SPECIAL LENS HOLDER
- POLARIZER HOLDERS
- CYLINDRICAL LENS HOLDERS
- FILTER HOLDERS
- ADJUSTABLE PLATE HOLDER
- PRECISION PRISM MOUNTS
- BEAM STEERERS
- OPTIC ADAPTORS
- PRECISION LASER MOUNTS
- BASEPLATES
- MAGNETIC BASES
- RIGHT ANGLE BRACKETS
- BASE CLAMPS
- FINE ADJUSTMENT SCREWS
- MICROMETERS
- SCREW ADAPTORS
- SUPPORT POSTS
- POST LIMIT
- POST HOLDERS
- ROTATIONAL POST HOLDERS
- COARSE/FINE ADJUSTMENT POST HOLDERS
- CROSS POST HOLDERS
- ROTATIONAL HOLDERS
- SUPPORT RODS
- ROD CLAMP
- SLIDING RAILS
- RAIL CARRIERS
- PRECISION FIBER COUPLERS
- PRECISION FIBER POSITIONING SYSTEM
- FIBER CLAMPING APPARATUS
- PRECISION SPECTRAL FILTERS
- PIN-HOLES
- PIN-HOLE MOUNT
- IRIS DIAPHRAGMS
- IRIS DIAPHRAGM MOUNTS
- ADJUSTABLE SLITS
- ACCESSORIES



Solar Cell Performance
Testing Department

Photoconductive
Testing Department

Spectral Measurement
Instrument

Precision Positioning
Systems

Stages

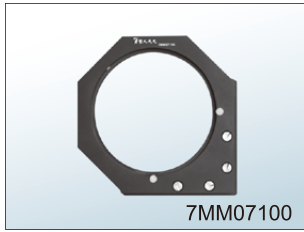
Opto-
Mechanics

Tables

Optical
Elements

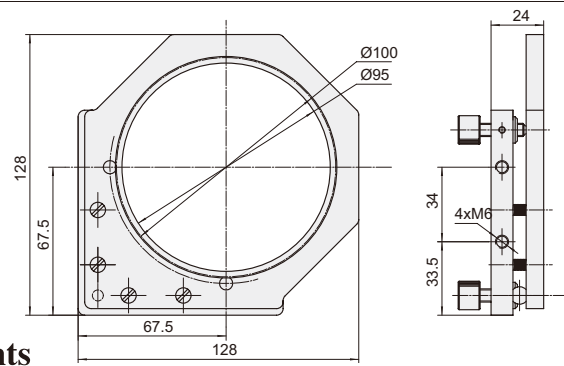
MIRROR MOUNTS
ADJUSTABLE LENS HOLDERS
LENS HOLDERS
SELF-CENTERING LENS HOLDERS
SPECIAL LENS HOLDER
POLARIZER HOLDERS
CYLINDRICAL LENS HOLDERS
FILTER HOLDERS
ADJUSTABLE PLATE HOLDER
PRECISION PRISM MOUNTS
BEAM STEERERS
OPTIC ADAPTORS
PRECISION LASER MOUNTS
BASEPLATES
MAGNETIC BASES
RIGHT ANGLE BRACKETS
BASE CLAMPS
FINE ADJUSTMENT SCREWS
MICROMETERS
SCREW ADAPTORS
SUPPORT POSTS
POST LIMIT
POST HOLDERS
ROTATIONAL POST HOLDERS
COARSE FINE ADJUSTMENT POST HOLDERS
CROSS POST HOLDERS
ROTATIONAL HOLDERS
SUPPORT RODS
ROD CLAMP
SLIDING RAILS
RAIL CARRIERS
PRECISION FIBER COUPLERS
PRECISION FIBER POSITIONING SYSTEM
FIBER CLAMPING APPARATUS
PRECISION SPATIAL FILTERS
PINHOLES
PINHOLE MOUNT
IRIS DIAPHRAGMS
IRIS DIAPHRAGM MOUNTS
ADJUSTABLE SLITS
ACCESSORIES

7MM07100 Two-dimensional Mirror Mount

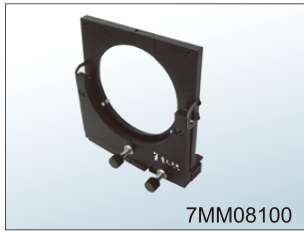


Weight 241g

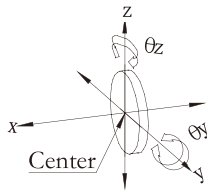
CAD 7MM07100



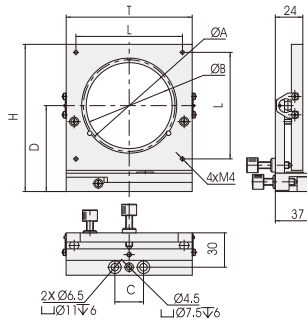
7MM08 Two-dimensional Mirror Mounts



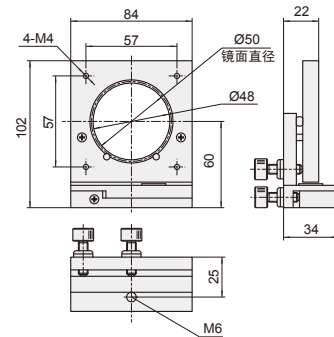
7MM08100



CAD 7MM08 series



CAD 7MM0850



Characteristics:

- The lens can be adjusted orthogonal coplanarity in two-dimensions to ensure the optical distance not changed
- M6×0.25 fine thread for adjustment (with copper nut)
- Belleville spring for reset, reset force can be adjusted, from zero to rigidity
- Three PTFE supporting, protecting lens

Specifications:

Model	Diameter of lens A	Aperture B	C	D	L	H	T	Adjustment range	Weight
7MM0850	50	48	-	60	57	102	84	±3°	351
7MM0880	80	75	25	75	93	128.5	110		462
7MM08100	100	95	25	85	113	146.5	130		564
7MM08102	102	97	50	86	90	151.5	132		595
7MM08106	106	101	50	86	90	151.5	132		577

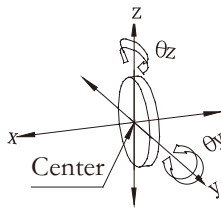
Ancillary product:

- 7MB13 baseplate

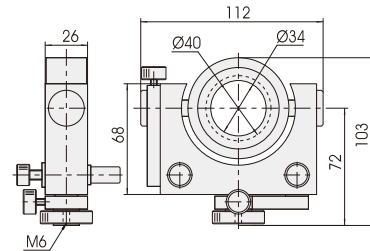
7MM0940 Two-dimensional Mirror Mount



7MM0940



CAD 7MM0940



Characteristics:

- The lens can be adjusted orthogonal coplanarity in two-dimensions to ensure the optical distance not changed
- M6×0.25 fine thread for adjustment (with copper nut)
- 360° coarse adjustment, ±3° fine adjustment
- Mounting for 40mm diameter lens

Ancillary product:

- 7MA3 series optic adaptors

Weight 588g



7MM0950 Two-dimensional Mirror Mount



7MM0950

Weight	692g
--------	------

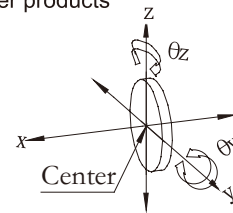
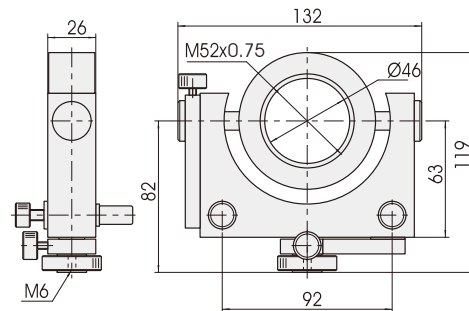
Characteristics:

- The lens can be adjusted orthogonal coplanarity in two-dimensions to ensure the optical distance not changed
- M6×0.25 fine thread for adjustment (with copper nut)
- 360° coarse adjustment, ± 3° fine adjustment
- M52×1 standard thread hole, mounting for 50.8mm or 50mm diameter lens, or other products

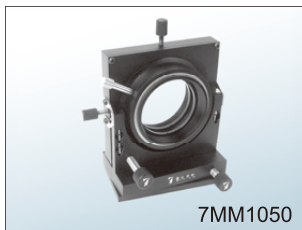
Ancillary product:

- 7MA1 series optic adaptors

CAD 7MM0950



7MM1050 Two-dimensional Mirror Mount



7MM1050

Characteristics:

- Three-dimensional translation and two-dimensional rotation
- The lens can be adjusted orthogonal coplanarity in two-dimensions to ensure the optical distance not changed
- fine thread for adjustment, high resolution
- M52×1 standard thread hole, mounting for 50.8mm or 50mm diameter lens, or other products

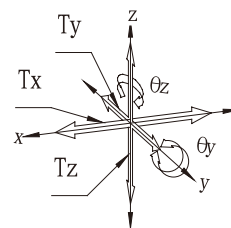
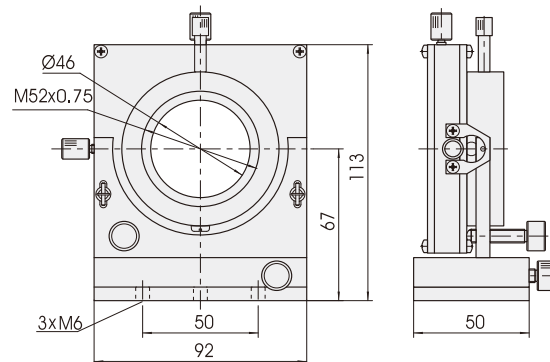
Specifications:

Adjustment range of the optical axis/mm	6
Adjustment range of vertical and horizontal/mm	±2.5
Rotation angle around a horizontal axis/°	±2
Rotation angle around a vertical axis/°	±4
Weight/g	703

Ancillary product:

- 7MB14 baseplate
- 7MA1 series optic adaptors

CAD 7MM1050

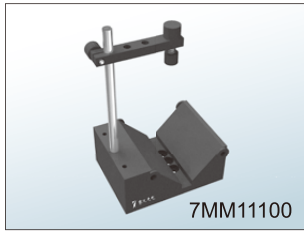


- Solar Cell Performance Testing Department
- Photoconductive Testing Department
- Special Measurement Instrument
- Precision Positioning Systems
- Stages
- Opto-Mechanics
- Tables
- Optical Elements

- MIRROR MOUNTS**
- ADJUSTABLE LENS HOLDERS
 - LENS HOLDERS
 - SELF-CENTERING LENS HOLDERS
 - SPECIAL LENS HOLDER
 - POLARIZER HOLDERS
 - CYLINDRICAL LENS HOLDERS
 - FILTER HOLDERS
 - ADJUSTABLE PLATE HOLDER
 - PRECISION PRISM MOUNTS
 - BEAM STEERERS
 - OPTIC ADAPTORS
 - PRECISION LASER MOUNTS
 - BASEPLATES
 - MAGNETIC BASES
 - RIGHT ANGLE BRACKETS
 - BASE CLAMPS
 - FINE ADJUSTMENT SCREWS
 - MICROMETERS
 - SCREW ADAPTORS
 - SUPPORT POSTS
 - POST LIMIT
 - POST HOLDERS
 - ROTATIONAL POST HOLDERS
 - COARSE/FINE ADJUSTMENT POST HOLDERS
 - CROSS POST HOLDERS
 - ROTATIONAL HOLDERS
 - SUPPORT RODS
 - ROD CLAMP
 - SLIDING RAILS
 - RAIL CARRIERS
 - PRECISION FIBER COUPLERS
 - PRECISION FIBER POSITIONING SYSTEM
 - FIBER CLAMPING APPARATUS
 - PRECISION SPECTRAL FILTERS
 - PIN-HOLES
 - PIN-HOLE MOUNT
 - IRIS DIAPHRAGMS
 - IRIS DIAPHRAGM MOUNTS
 - ADJUSTABLE SLITS
 - ACCESSORIES



7MM1100 V-shape Mirror Mount



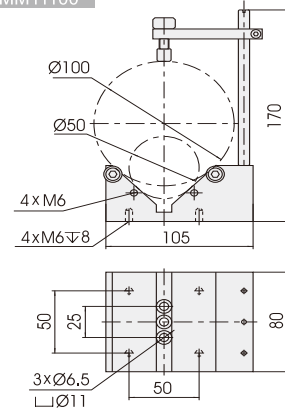
7MM1100

Weight	816g
--------	------

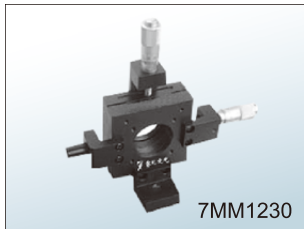
Characteristics:

- Used for clamping cylindrical lens or laser diode
- The maximum clamping diameter can be reached to 100mm
- Elastic clamping force can be adjusted till rigidity
- Four M6 thread holes on both sides for positioning

CAD 7MM1100

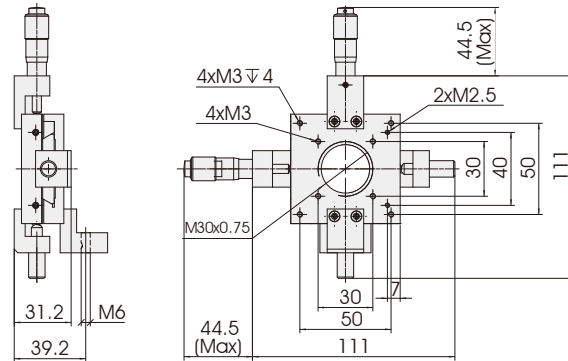


7MM1230 Two-dimensional Translation Mirror Mount



7MM1230

CAD 7MM1230



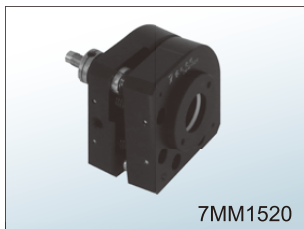
Characteristics:

- Two-dimensional Translation
- Lapping dovetail rail, smooth and comfortable
- Micrometer for quantitative adjustment, spring for reset to eliminate backlash
- M30 × 1 center threaded hole can be suited with a barrel, clamping for 30mm diameter lens or smaller ones

Specifications:

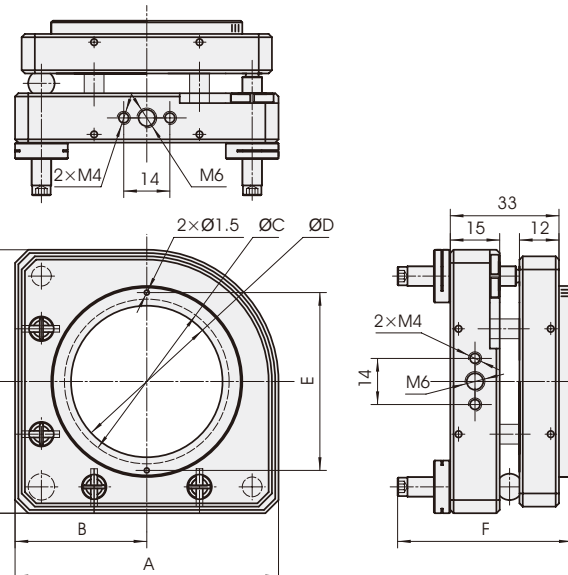
Two-dimensional travel	13
Minimum reading	0.01
sensitivity	0.001
Weight/g	344

7MM15 Two-dimensional Mirror Mounts



7MM1520

CAD 7MM15 series



Characteristics:

- M6 × 0.25 fine thread for adjustment with special copper nut, which can be locked axially to prevent loosening caused by vibration
- High performance tension spring for reset with uniform resetting force to reduce stress
- Range of adjustment $\pm 3^\circ$
- Barrel clamping lens, lens can be installed and fixed to the adjusting mount
- PTFE gasket, protecting lens
- Mounting holes in two directions, suitable for different optical path

- Solar Cell Performance Testing Department
- Photoconductive Testing Department
- Spectral Measurement Instrument
- Precision Positioning Systems
- Stages
- Opto-Mechanics
- Tables
- Optical Elements

- MIRROR MOUNTS
- ADJUSTABLE LENS HOLDERS
- LENS HOLDERS
- SELF-CENTERING LENS HOLDERS
- SPECIAL LENS HOLDER
- POLARIZER HOLDERS
- CYLINDRICAL LENS HOLDERS
- FILTER HOLDERS
- ADJUSTABLE PLATE HOLDER
- PRECISION PRISM MOUNTS
- BEAM STEERERS
- OPTIC ADAPTORS
- PRECISION LASER MOUNTS
- BASEPLATES
- MAGNETIC BASES
- RIGHT ANGLE BRACKETS
- BASE CLAMPS
- FINE ADJUSTMENT SCREWS
- MICROMETERS
- SCREW ADAPTORS
- SUPPORT POSTS
- POST LIMIT
- POST HOLDERS
- ROTATIONAL POST HOLDERS
- COURSE FINE ADJUSTMENT POST HOLDERS
- CROSS POST HOLDERS
- ROTATIONAL HOLDERS
- SUPPORT RODS
- ROD CLAMP
- SLIDING RAILS
- RAIL CARRIERS
- PRECISION FIBER COUPLERS
- PRECISION FIBER POSITIONING SYSTEM
- FIBER CLAMPING APPARATUS
- PRECISION SPATIAL FILTERS
- FINHOLES
- FINHOLES MOUNT
- IRIS DIAPHRAGMS
- IRIS DIAPHRAGMS MOUNTS
- ADJUSTABLE SLITS
- ACCESSORIES



Solar Cell Performance
Testing Department

Photovoltaic
Testing Department

Spectral Measurement
Instrument

Precision Positioning
Systems

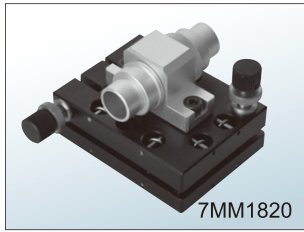
Stages

Opto-
Mechanics

Tables

Optical
Elements

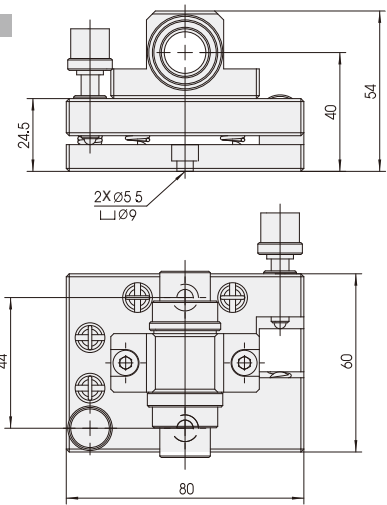
7MM1820 Horizontal Mirror Mount



Specifications:

Pitching angle/°	±2
Rotation angle/°	±2
Weight/g	372

CAD 7MM1820



Characteristics:

- With pitching and horizontal rotation adjustment
- Driving with fine thread with locking copper nut, compact structure, convenient to operate
- High performance tension spring for reset
- Clamping for 20mm diameter element, the barrel can be customized

7MM19200 Mirror Mount for Large Diameter

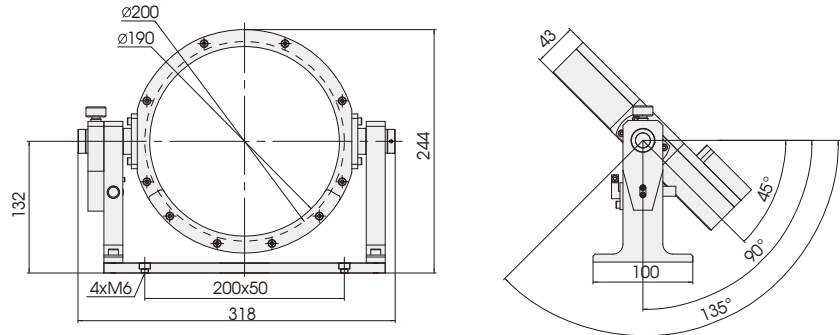


Characteristics:

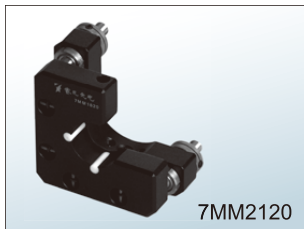
- For mirrors or other optical components with 200mm diameter and 30mm thickness
- Coarse positioning in 45°, 90°, 135° three positions
- Fine pitching in ±3° adjusted by fine thread and can be locked
- Can be customized

CAD 7MM19200

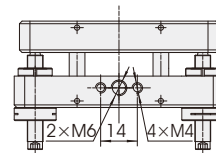
Weight	2600g
--------	-------



7MM21 Three-dimensional Mirror Mounts

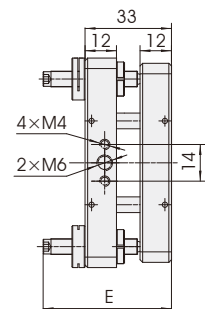
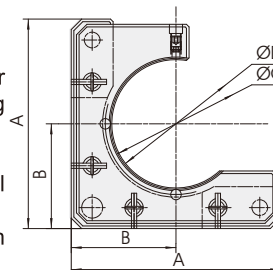


CAD 7MM21 series



Characteristics:

- M6×0.25 fine thread for adjustment with special copper nut, which can be locked radially to prevent loosening caused by vibration
- Range of adjustment ±3°
- One-dimensional axial translation and two-dimensional inclination adjustment
- High performance tension spring for reset with uniform resetting force to reduce stress
- Open structure, fast clamping, larger aperture
- Three PTFE supporting, protecting lens
- Mounting holes in two directions, suitable for different optical path



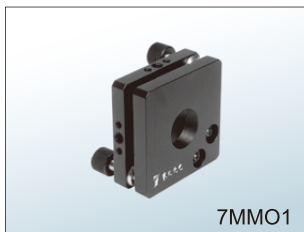
- MIRROR MOUNTS
- ADJUSTABLE LENS HOLDERS
- LENS HOLDERS
- SELF-CENTERING LENS HOLDERS
- SPECIAL LENS HOLDER
- POLARIZER HOLDERS
- CYLINDRICAL LENS HOLDERS
- FILTER HOLDERS
- ADJUSTABLE PLATE HOLDER
- PRECISION PRISM MOUNTS
- BEAM STEERERS
- OPTIC ADAPTORS
- PRECISION LASER MOUNTS
- BASEPLATES
- MAGNETIC BASES
- RIGHT ANGLE BRACKETS
- BASE CLAMPS
- FINE ADJUSTMENT SCREWS
- MICROMETERS
- SCREW ADAPTORS
- SUPPORT POSTS
- POST LIMIT
- POST HOLDERS
- ROTATIONAL POST HOLDERS
- COURSE-FINE ADJUSTMENT POST HOLDERS
- CROSS POST HOLDERS
- ROTATIONAL HOLDERS
- SUPPORT RODS
- ROD CLAMP
- SLIDING RAILS
- RAIL CARRIERS
- PRECISION FIBER COUPLERS
- PRECISION FIBER POSITIONING SYSTEM
- FIBER CLAMPING APPARATUS
- PRECISION SPATIAL FILTERS
- PINHOLES
- PINHOLE MOUNT
- IRIS DIAPHRAGMS
- IRIS DIAPHRAGM MOUNTS
- ADJUSTABLE SLITS
- ACCESSORIES



Specifications:

Model	7MM2115	7MM2120	7MM2125	7MM2130	7MM2140	7MM2150	7MM21254	7MM21508
A	60	60	60	60	80	80	60	80
B	30	30	30	30	40	40	30	40
Diameter of lens C	15	20	25	30	40	50	25.4(1in)	50.8(2in)
Aperture D	14	19	24	29	39	49	24.4	49.8
E	46	46	46	46	49	49	46	49
Inclination range/°	±5	±5	±5	±5	±5	±5	±5	±5
Axial travel	5	5	5	5	5	5	5	5
Weight/g	173	170	165	158	231	213	165	211

7MMO1 Two-dimensional Microobjective Mounts



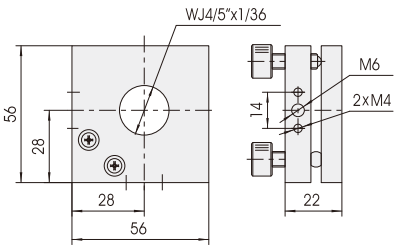
7MMO1

Weight	144g
--------	------

Characteristics:

- Standard thread hole WJ4/5 “-1/36” for microobjective
- M6×0.25 fine thread for adjustment (with copper nut)
- Belleville spring for reset, reset force can be adjusted, from zero to rigidity

CAD 7MMO1



7MMRA1200 Electric Two-dimensional Rotating Mirror Mount

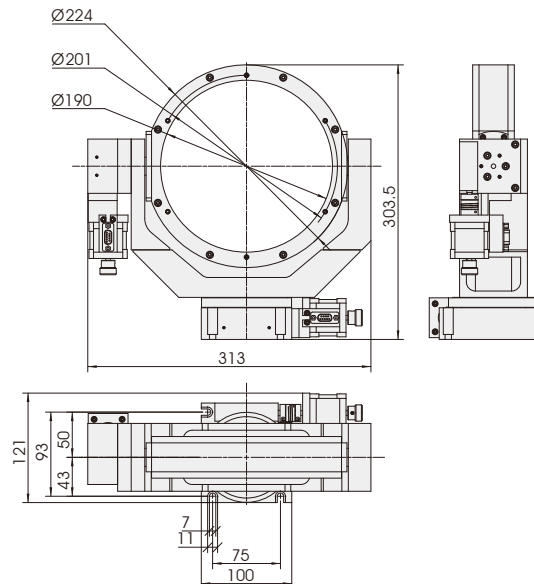


7MMRA1200

Characteristics:

- Equipped with a stepping motor and a standard DB9 plug, 7SC series motion controllers for automatic control
- Compact integral design, high precision of orthogonal
- Precision grinding worm and worm gear, the stage rotate reversible and comfortable with little backlash
- High quality elastic coupling for connecting motor and worm, synchronous transmission and little noise
- Each axis can be rotated 360°
- Clamping lens easy and reliable
- Can be customized for other dimensions

CAD 7MMRA1200



Specifications:

Model	7MMRA1200	
Maximum clamping diameter	Φ 200	
Transmission ratio	X	90:1
	Z	180:1
Standard motor	42 stepping motor (1.8°)	
Maximum static torque	0.4N·m	
Rated current	1.7A	
Maximum speed (2 subdivision)	X	50°/s
	Z	25°/s
Resolution (8 subdivision)	X	0.0025°
	Z	0.00125°
Rotation range	X	360°
	Z	± 180°
Repeatability	X	0.01°
	Z	0.005°
Load	30kg	
Weight	5.71kg	

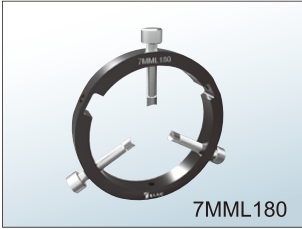
MIRROR MOUNTS

- ADJUSTABLE LENS HOLDERS
- LENS HOLDERS
- SELF-CENTERING LENS HOLDERS
- SPECIAL LENS HOLDER
- POLARIZER HOLDERS
- CYLINDRICAL LENS HOLDERS
- FILTER HOLDERS
- ADJUSTABLE PLATE HOLDER
- PRECISION PRISM MOUNTS
- BEAM STEERERS
- OPTIC ADAPTORS
- PRECISION LASER MOUNTS
- BASEPLATES
- MAGNETIC BASES
- RIGHT ANGLE BRACKETS
- BASE CLAMPS
- FINE ADJUSTMENT SCREWS
- MICROMETERS
- SCREW ADAPTORS
- SUPPORT POSTS
- POST LIMIT
- POST HOLDERS
- ROTATIONAL POST HOLDERS
- COARSE FINE ADJUSTMENT POST HOLDERS
- CROSS POST HOLDERS
- ROTATIONAL HOLDERS
- SUPPORT RODS
- ROD CLAMP
- SLIDING RAILS
- RAIL CLAMPERS
- PRECISION FIBER COUPLERS
- PRECISION FIBER POSITIONING SYSTEM
- FIBER CLAMPING APPARATUS
- PRECISION SPECTRAL FILTERS
- PINHOLES
- PIN-HOLE MOUNT
- IRIS DIAPHRAGMS
- IRIS DIAPHRAGM MOUNTS
- ADJUSTABLE SLITS
- ACCESSORIES



ADJUSTABLE LENS HOLDERS

7MML1 series Adjustable Lens Holders



7MML180



7MML1100

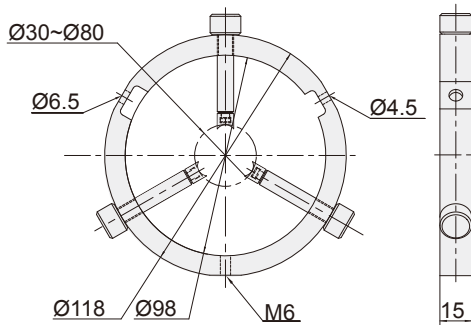
Characteristics:

- Three independent rigid adjustable rods made by stainless steel are used for clamping lens with stability and big load
- Coarse and fine adjustments are designed for loading and unloading lens quickly, locking device is novel and reliable (for 7MML1100 only)
- V-shape head of the clamping rod can be rotated freely and suitable for various thickness of optic elements

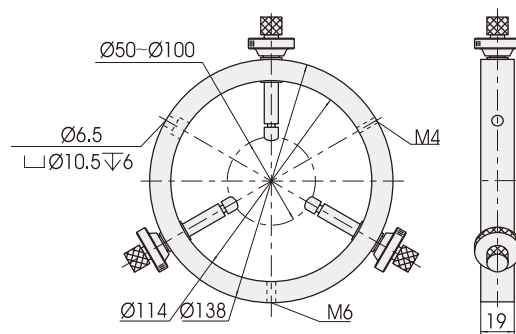
Specifications:

Model	7MML180	7MML1100
Clamping diameter	30~80	50~100
Weight/g	221	424

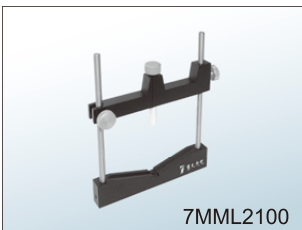
CAD 7MML180



CAD 7MML1100

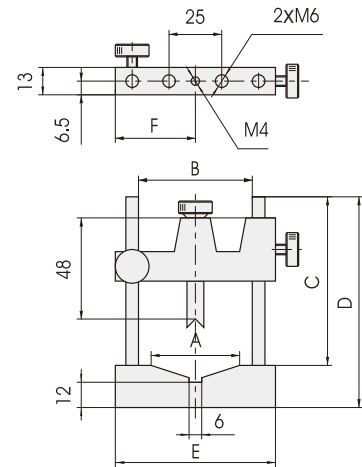


7MML2 series Adjustable Lens Holders



7MML2100

CAD 7MML2 series



Characteristics:

- Elastic clamping adjustment till rigidity, convenient to load and unload, firm clamping
- V-shape PTFE clamping head for protecting lens
- V-shape head of the clamping rod can be rotated freely and suitable for various thickness of optic elements

Specifications:

Model	A	B	C	D	E	F	Clamping Diameter	Weight/g
7MML250	42	54	80	100	76	38	5~50	153
7MML275	65	80	106	128	102	51	5~75	202
7MML2100	90	105	126	151	127	63.5	10~100	249

- Solar Cell Performance Testing Department
- Photoconductive Testing Department
- Spatial Measurement Instrument
- Precision Positioning Systems
- Stages
- Opto-Mechanics
- Tables
- Optical Elements
- MIRROR MOUNTS
- ADJUSTABLE LENS HOLDERS
- LENS HOLDERS
- SELF-CENTERING LENS HOLDERS
- SPECIAL LENS HOLDER
- POLARIZER HOLDERS
- CYLINDRICAL LENS HOLDERS
- FILTER HOLDERS
- ADJUSTABLE PLATE HOLDER
- PRECISION PRISM MOUNTS
- BEAM STEERERS
- OPTIC ADAPTORS
- PRECISION LASER MOUNTS
- BASEPLATES
- MAGNETIC BASES
- RIGHT ANGLE BRACKETS
- BASE CLAMPS
- FINE ADJUSTMENT SCREWS
- MICROMETERS
- SCREW ADAPTORS
- SUPPORT POSTS
- POST LIMIT
- POST HOLDERS
- ROTATIONAL POST HOLDERS
- COARSE-FINE ADJUSTMENT POST HOLDERS
- CROSS POST HOLDERS
- ROTATIONAL HOLDERS
- SUPPORT RODS
- ROD CLAMP
- SLIDING RAILS
- RAIL CARRIERS
- PRECISION FIBER COUPLERS
- PRECISION FIBER POSITIONING SYSTEM
- FIBER CLAMPING APPARATUS
- PRECISION SPATIAL FILTERS
- FINHOLES
- FINHOLE MOUNT
- IRIS DIAPHRAGMS
- IRIS DIAPHRAGM MOUNTS
- ADJUSTABLE SLITS
- ACCESSORIES



LENS HOLDERS

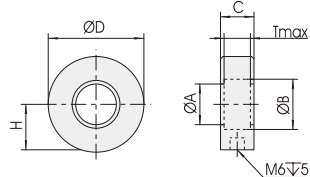
7MML3 series Lens Holders



Characteristics:

- Used for clamping lenses with different dimensions
- PTFE washer for protecting lens

CAD 7MML3series



Weight	0.44kg
--------	--------

Specifications:

Model	Aperture A	Diameter of lens B	C	D	H	T	Weight/g
7MML310	8	10	8	30	14	2	13
7MML3127	11	12.7(0.5in)	8	35	15.5	2	17
7MML315	13	15	8	35	16.5	2	17
7MML320	18	20	12	40	19	6	30
7MML325	23	25	12	45	21.5	6	35
7MML3254	23	25.4(1in)	12	45	21.5	6	35
7MML330	28	30	12	50	24	6	41
7MML335	33	35	14	55	26.5	8	53
7MML3381	36	38.1(1.5in)	14	60	29	8	64
7MML340	38	40	14	60	29	8	59
7MML350	46	50	14	70	34	6	76
7MML3508	46	50.8(2in)	14	70	34	6	73
7MML360	56	60	18	80	39	10	112
7MML3762	72	76.2(3in)	18	100	49	10	168
7MML380	76	80	18	100	49	10	144
7MML3100	96	100	20	120	59	12	194

SELF-CENTERING LENS HOLDERS

7MML4 Self-centering Lens Holders



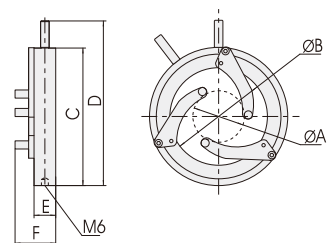
Characteristics:

- Three support arms will open and close simultaneously
- Suitable for lenses with different diameters
- When changing lens, the center of the lens won't be changed.
- Spring for reset, suitable for comparatively light lens

CAD 7MML4 series

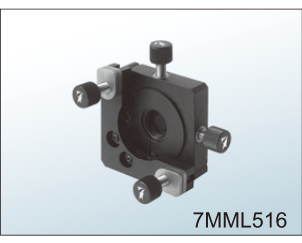
Specifications:

Model	Diameter of lens A		B	C	D	E	F	Weight/g
	MAX	MIN						
7MML450	50	5	46	70	90	11	19	85
7MML476	76	5	72	102	126	16	30	192
7MML4102	102	5	100	140	160	16	30	340

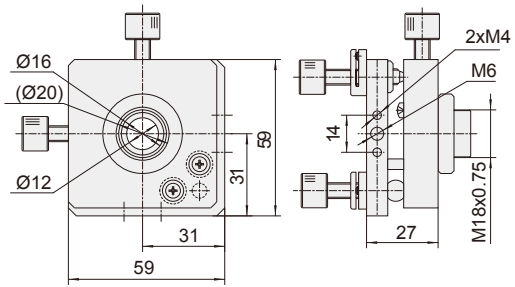


SPECIAL LENS Holder

7MML516 Four-dimensional Lens Holder



CAD 7MML516



- Solar Cell Performance Testing Department
- Photoconductive Testing Department
- Special Measurement Instrument
- Precision Positioning Systems
- Stages
- Opto-Mechanics
- Tables
- Optical Elements
- MIRROR MOUNTS
- ADJUSTABLE LENS HOLDERS
- LENS HOLDERS
- SELF-CENTERING LENS HOLDERS
- SPECIAL LENS HOLDER
- POLARIZER HOLDERS
- CYLINDRICAL LENS HOLDERS
- FILTER HOLDERS
- ADJUSTABLE PLATE HOLDERS
- PRECISION PRISM HOLDERS
- BEAM STEERERS
- OPTIC ADAPTORS
- PRECISION LASER MOUNTS
- BASEPLATES
- MAGNETIC BASES
- RIGHT ANGLE BRACKETS
- BASE CLAMPS
- FINE ADJUSTMENT SCREWS
- MICROMETERS
- SCREW ADAPTORS
- SUPPORT POSTS
- POST LIMIT
- POST HOLDERS
- ROTATIONAL POST HOLDERS
- COARSE/FINE ADJUSTMENT POST HOLDERS
- CROSS POST HOLDERS
- ROTATIONAL HOLDERS
- SUPPORT RODS
- ROD CLAMP
- SLIDING RAILS
- RAIL CLAMPERS
- PRECISION FIBER COUPLERS
- PRECISION FIBER POSITIONING SYSTEM
- FIBER CLAMPING APPARATUS
- PRECISION SPECTRAL FILTERS
- PINHOLES
- PIN-HOLE MOUNT
- IRIS DIAPHRAGMS
- IRIS DIAPHRAGM MOUNTS
- ADJUSTABLE SLITS
- ACCESSORIES



Solar Cell Performance
Testing Department

Photovoltaic
Testing Department

Spectral Measurement
Instrument

Precision Positioning
Systems

Stages

Opto-
Mechanics

Tables

Optical
Elements

Characteristics:

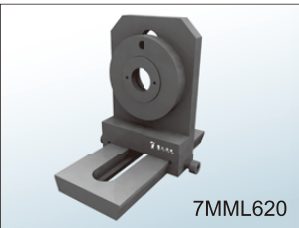
- Two-dimensional translation and two-dimensional inclination adjustment
- M6×0.25 fine thread for adjustment with special copper nut, which can be locked axially to prevent loosening caused by vibration
- Belleville spring for reset, reset force can be adjusted, from zero to rigidity
- Pressing ring for clamping lens
- Changing clamping diameter by matching 7MML516-1F or 7MML516-2F

Specifications:

Model	7MML516
Translation travel	±2
Inclination range/°	±3
Clamping diameter	16
Weight/g	214

Model for option	Clamping diameter
7MML516-1F	20
7MML516-2F	25.4

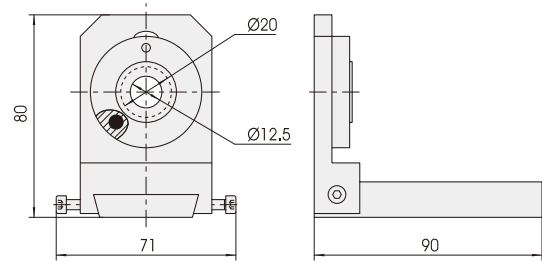
7MML620 Magnetic Lens Holder



Specifications:

Travel	70
Diameter of lens	20
Weight/g	460

CAD 7MML620



Characteristics:

- Dovetail rail, focusing by translation without changing optical axis
- Holder with magnetic steel, can be attached to anywhere of the steel frame

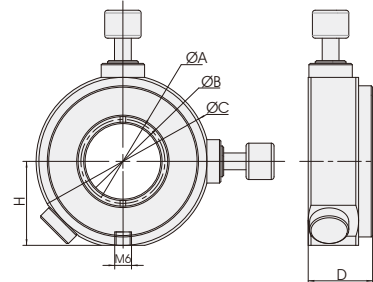
7MML7 series Two-dimensional Lens Holders



Characteristics:

- Two-dimensional translations (horizontal and vertical)
- Pressure spring for reset, detail design to minimize the interference between the two-dimensional translations
- M6×0.25 fine thread for adjustment with special copper nut to keep accuracy

CAD 7MML7

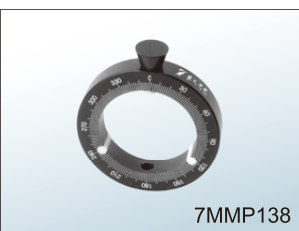


Specifications:

Model	Diameter of lens A	Aperture B	C	D	H	Maximum clamping thickness	Two-dimensional travel	Weight/g
7MML720	20	18	62	23	30	12	±2	168
7MML7254	25.4(1in)	23						159
7MML730	30	27						144
7MML740	40	38	84	26	40	14	±3	277
7MML750	50	46						228
7MML7508	50.8(2in)							227

POLARIZER HOLDERS

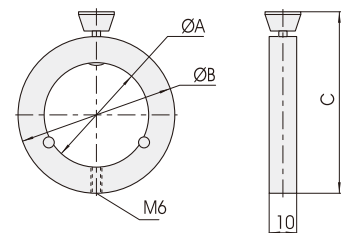
7MMP1 series Polarizer Holders



Characteristics:

- Circumferential characterization in 360° for quantitatively adjust polarizer or cylindrical lens
- Elastic fastening handwheel, PTFE three point support, convenient and stable

CAD 7MMP1series



- MIRROR MOUNTS
- ADJUSTABLE LENS HOLDERS
- LENS HOLDERS
- SELF-CENTERING LENS HOLDERS
- SPECIAL LENS HOLDERS
- POLARIZER HOLDERS
- CYLINDRICAL LENS HOLDERS
- FILTER HOLDERS
- ADJUSTABLE PLATE HOLDER
- PRECISION PRISM MOUNTS
- BEAM STEERERS
- OPTIC ADAPTORS
- PRECISION LASER MOUNTS
- BASEPLATES
- MAGNETIC BASES
- RIGHT ANGLE BRACKETS
- BASE CLAMPS
- FINE ADJUSTMENT SCREWS
- MICROMETERS
- SCREW ADAPTORS
- SUPPORT POSTS
- POST LIMIT
- POST HOLDERS
- ROTATIONAL POST HOLDERS
- COURSE/FINE ADJUSTMENT POST HOLDERS
- CROSS POST HOLDERS
- ROTATIONAL HOLDERS
- SUPPORT RODS
- ROD CLAMP
- SLIDING RAILS
- RAIL CARRIERS
- PRECISION FIBER COUPLERS
- PRECISION FIBER POSITIONING SYSTEM
- FIBER CLAMPING APPARATUS
- PRECISION SPATIAL FILTERS
- FINHOLES
- FINHOLE MOUNT
- IRIS DIAPHRAGMS
- IRIS DIAPHRAGM MOUNTS
- ADJUSTABLE SLITS
- ACCESSORIES



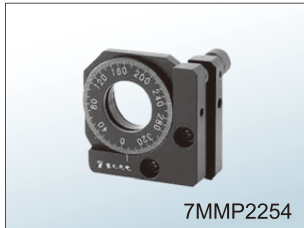
Specifications:

Model	clamping diameter A	B	C	Weight/g
7MMP138	38	57	66	39
7MMP156	56	75	86	50

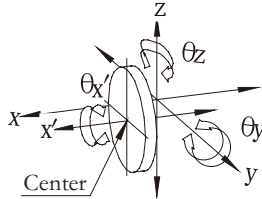
Ancillary product:

- 7MMC125 cylindrical lens holder
- 7MMPH1 series Polarizer Holder

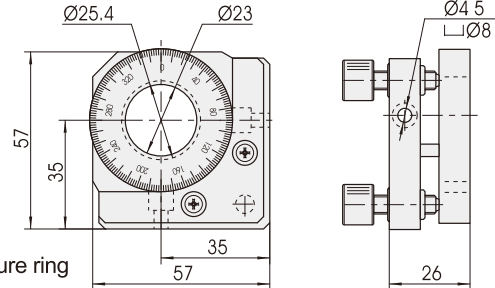
7MMP2254 Polarizer Holder



7MMP2254



CAD 7MMP2254



Characteristics:

- For mounting 1inch (25.4mm) diameter Polarizer, locking by pressure ring
- Precision shafting for rotating adjustment, stable and reliable
- Circumferential characterization in 360° , convenient for reading
- Two-dimensional tilt range $\pm 3^\circ$
- M6×0.25 fine thread for adjustment with Belleville spring for reset, reset force can be adjusted from zero to rigidity

Specifications:

Rotating range/°	360
Minimum reading/°	2
Weight/g	140

Ancillary product:

- 7MA4127 optic adaptor

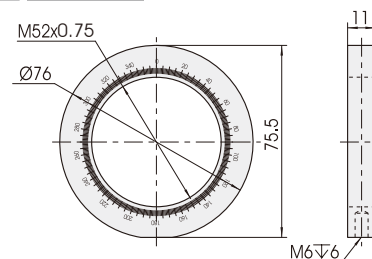
7MMP350 Polarizer Holder



7MMP350

Weight	84g
--------	-----

CAD 7MMP350



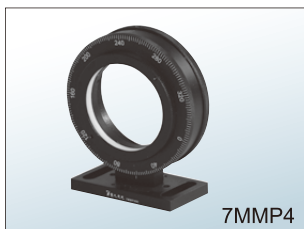
Characteristics:

- M52×0.75 center thread hole matched several kinds of houlders
- Polarizer fixed by pressing ring
- Circumferential characterization in 360° , convenient for reading

Ancillary product:

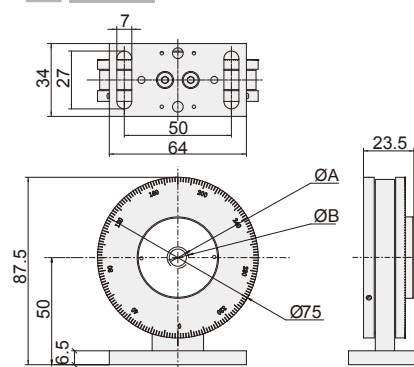
- 7MMC151 cylindrical lens holder
- 7MA1 series optic adaptors

7MMP4 series Polarizer Holders



7MMP4

CAD 7MMP4



Characteristics:

- Polarizer fixed by pressing ring
- Precision shafting for rotating adjustment, stable and reliable
- Circumferential characterization in 360° , the minimum reading 2°

Solar Cell Performance
Testing Department

Photoconductive
Testing Department

Special Measurement
Instrument

Precision Positioning
Systems

Stages

Opto-
Mechanics

Tables

Optical
Elements

- MIRROR MOUNTS
- ADJUSTABLE LENS HOLDERS
- LENS HOLDERS
- SELF-CENTERING LENS HOLDERS
- SPECIAL LENS HOLDER
- POLARIZER HOLDERS**
- CYLINDRICAL LENS HOLDERS
- FILTER HOLDERS
- ADJUSTABLE PLATE HOLDER
- PRECISION PRISM MOUNTS
- BEAM STEERERS
- OPTIC ADAPTORS
- PRECISION LASER MOUNTS
- BASEPLATES
- MAGNETIC BASES
- RIGHT ANGLE BRACKETS
- BASE CLAMPS
- FINE ADJUSTMENT SCREWS
- MICROMETERS
- SCREW ADAPTORS
- SUPPORT POSTS
- POST LIMIT
- POST HOLDERS
- ROTATIONAL POST HOLDERS
- COARSE FINE ADJUSTMENT POST HOLDERS
- CROSS POST HOLDERS
- ROTATIONAL HOLDERS
- SUPPORT RODS
- ROD CLAMP
- SLIDING RAILS
- RAIL CARRIERS
- PRECISION FIBER COOLERS
- PRECISION FIBER POSITIONING SYSTEM
- FIBER CLAMPING APPARATUS
- PRECISION SPECTRAL FILTERS
- PINHOLES
- PIN-OLE MOUNT
- IRIS DIAPHRAGMS
- IRIS DIAPHRAGM MOUNTS
- ADJUSTABLE SLITS
- ACCESSORIES

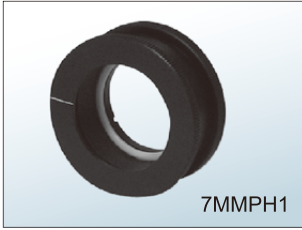


Specifications:

Model	Aperture A	Clamping diameter B	Weight/g
7MMP410	8	10	251
7MMP415	13	15	247
7MMP420	18	20	242
7MMP425	23	25	237
7MMP430	28	30	229
7MMP435	33	35	201

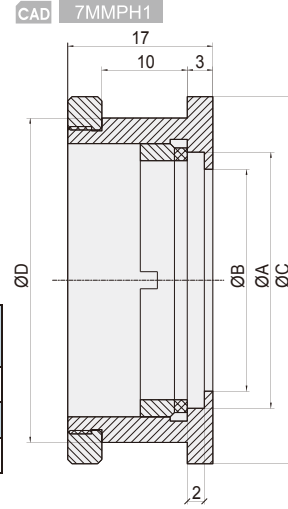
Model	Aperture A	Clamping diameter B	Weight/g
7MMP440	38	40	190
7MMP450	46	50	167
7MMP4127	11	12.7	248
7MMP4254	23	25.4	237
7MMP4381	36	38.1	195
7MMP4508	46	50.8	170

7MMPH1 Polarizer Holder



Characteristics:

- Polarizer fixed by pressing ring, PTFE gasket protecting lens
- Used with 7MMP1 series Polarizer Holders for rotating adjustment easily
- A marking line on the circle, can customized circumferential characterization in 360°

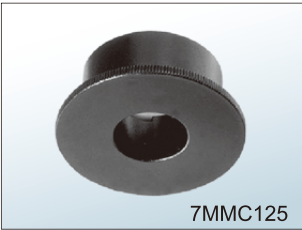


Specifications:

Model	Clamping diameter A	Aperture B	External diameter C	D	Weight/g	Ancillary product
7MMPH1254	25.4	23	43	38	41	7MMP138
7MMPH130	30	26	43	38	25	7MMP138
7MMPH1381	38.1	34	61	56	70	7MMP156

CYLINDRICAL LENS HOLDERS

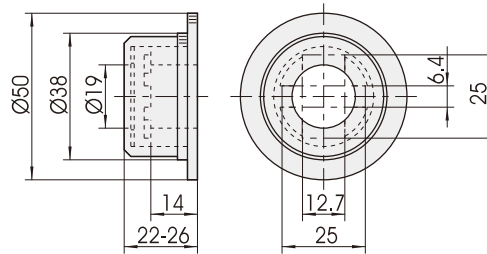
7MMC125 Cylindrical Lens Holder



Specifications:

Clamping size	6.4×25
	12.7×25
Weight/g	49

CAD 7MMC125



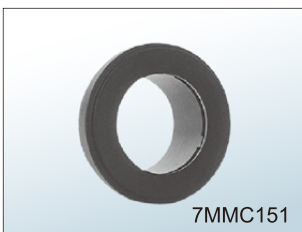
Characteristics:

- Pressing lens by screw
- Mounting varied cylindrical lenses
- PTFE gasket, protecting lens

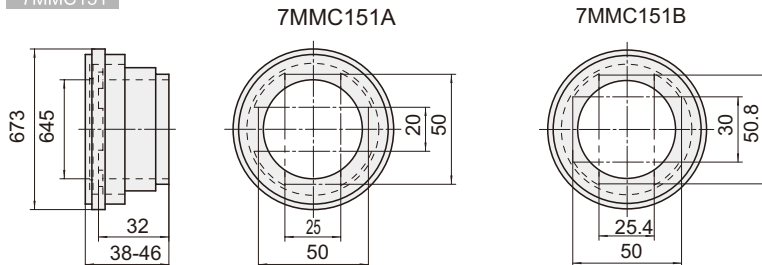
Ancillary product:

- 7MMP138 Polarizer Holder

7MMC151 Cylindrical Lens Holder



CAD 7MMC151



- Solar Cell Performance Testing Department
- Photoconductive Testing Department
- Spectral Measurement Instrument
- Precision Positioning Systems
- Stages
- Opto-Mechanics
- Tables
- Optical Elements
- MIRROR MOUNTS
- ADJUSTABLE LENS HOLDERS
- LENS HOLDERS
- SELF-CENTERING LENS HOLDERS
- SPECIAL LENS HOLDER
- POLARIZER HOLDERS
- CYLINDRICAL LENS HOLDERS
- FILTER HOLDERS
- ADJUSTABLE PLATE HOLDER
- PRECISION PRISM MOUNTS
- BEAM STEERERS
- OPTIC ADAPTORS
- PRECISION LASER MOUNTS
- BASEPLATES
- MAGNETIC BASES
- RIGHT ANGLE BRACKETS
- BASE CLAMPS
- FINE ADJUSTMENT SCREWS
- MICROMETERS
- SCREW ADAPTORS
- SUPPORT POSTS
- POST LIMIT
- POST HOLDERS
- ROTATIONAL POST HOLDERS
- CORSE-FINE ADJUSTMENT POST HOLDERS
- CROSS POST HOLDERS
- ROTATIONAL HOLDERS
- SUPPORT RODS
- ROD CLAMP
- SLIDING RAILS
- RAIL CARRIERS
- PRECISION FIBER COUPLERS
- PRECISION FIBER POSITIONING SYSTEM
- FIBER CLAMPING APPARATUS
- PRECISION SPATIAL FILTERS
- PINHOLES
- PIN-HOLE MOUNT
- IRIS DIAPHRAGMS
- IRIS DIAPHRAGMS MOUNTS
- ADJUSTABLE SLITS
- ACCESSORIES



Characteristics:

- Pressing lens by screw
- Mounting varied cylindrical lenses
- PTFE gasket, protecting lens

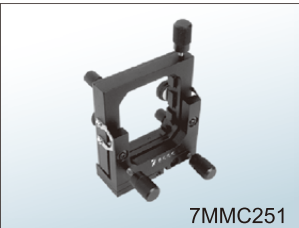
Specifications:

Model	7MMC151A	7MMC151B
Clamping size	20×50	25.4×50.8
	25×50	30×50
Weight/g	125	128

Ancillary product:

- 7MMP156 Polarizer Holder
- 7MMP350 Polarizer Holder

7MMC251 Three-dimensional Cylindrical Lens Holder

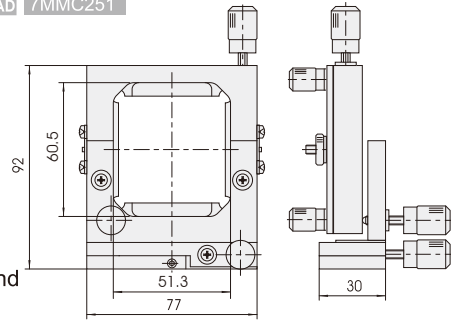


7MMC251

Specifications:

Tilt range for two dimensions /°	±4
Rotating range/°	±5
Clamping length	50~50.8
Clamping width	60.5
Weight/g	271

CAD 7MMC251



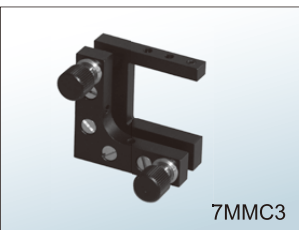
Characteristics:

- The lens can be adjusted orthogonal coplanarity in two-dimensions and rotate by the optical axis
- Mounting two sizes of plano convex or concave cylindrical lens horizontally or vertically

Ancillary product:

- 7MB13 baseplate

7MMC3 series Two-dimensional Cylindrical Lens Holders

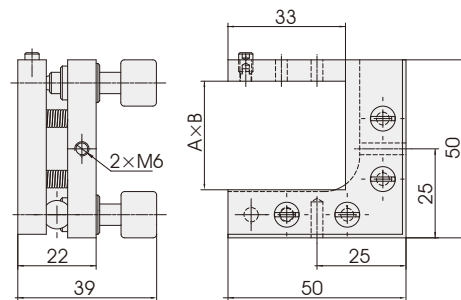


7MMC3

Specifications:

Model	7MMC3254	7MMC330
Clamping size A×B	25.4×33	30×33
Weight/g	93	90

CAD 7MMC3 series

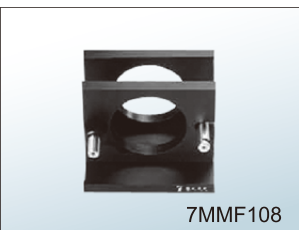


Characteristics:

- Two-dimensional tilt range of ±3°
- M6×0.25 fine thread for adjustment with special copper nut
- High performance tension spring for reset with uniform resetting force to reduce stress
- Mounting holes in two directions, suitable for different optical path

FILTER HOLDERS

7MMF1 series Filter holders

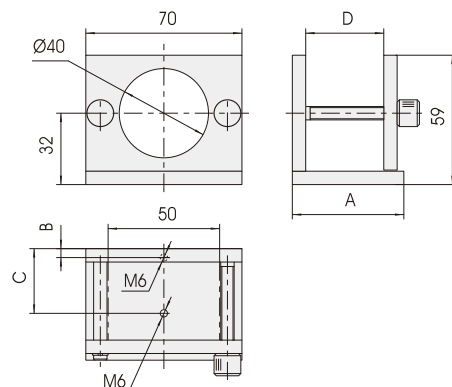


7MMF108

Characteristics:

- Continuous adjustable pressing by a sliding plate, suitable for different thickness
- There is an elastic device below the sliding plate to make smooth and comfortable movement
- Locking by a handwheel, stable clamping

CAD 7MMF1 series



Specifications:

Model	A	B	C	D	Clamping width	Clamping thickness	Weight/g
7MMF108	25	-	11	1	50	8	137
7MMF130	50	5	30	2	50	30	180

- Solar Cell Performance Testing Department
- Photoconductive Testing Department
- Special Measurement Instrument
- Precision Positioning Systems
- Stages
- Opto-Mechanics
- Tables
- Optical Elements
- MIRROR MOUNTS
- ADJUSTABLE LENS HOLDERS
- LENS HOLDERS
- SELF-CENTERING LENS HOLDERS
- SPECIAL LENS HOLDER
- POLARIZER HOLDERS
- CYLINDRICAL LENS HOLDERS
- FILTER HOLDERS
- ADJUSTABLE PLATE HOLDER
- PRECISION PRISM MOUNTS
- BEAM STEERERS
- OPTIC ADAPTORS
- PRECISION LASER MOUNTS
- BASEPLATES
- MAGNETIC BASES
- RIGHT ANGLE BRACKETS
- BASE CLAMPS
- FINE ADJUSTMENT SCREWS
- MICROMETERS
- SCREW ADAPTORS
- SUPPORT POSTS
- POST LIMIT
- POST HOLDERS
- ROTATIONAL POST HOLDERS
- COARSE FINE ADJUSTMENT POST HOLDERS
- CROSS POST HOLDERS
- ROTATIONAL HOLDERS
- SUPPORT RODS
- ROD CLAMP
- SLIDING RAILS
- RAIL CARRIERS
- PRECISION FIBER COUPLERS
- PRECISION FIBER POSITIONING SYSTEM
- FIBER CLAMPING APPARATUS
- PRECISION SPECTRAL FILTERS
- PIN-HOLES
- PIN-HOLE MOUNT
- IRIS DIAPHRAGMS
- IRIS DIAPHRAGM MOUNTS
- ADJUSTABLE SLITS
- ACCESSORIES



Solar Cell Performance
Testing Department

Photoconductive
Testing Department

Spectral Measurement
Instrument

Precision Positioning
Systems

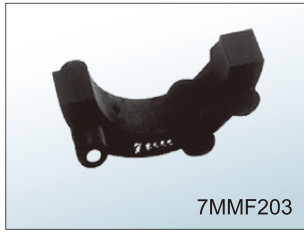
Stages

Opto-
Mechanics

Tables

Optical
Elements

7MMF203 Filter holder



7MMF203

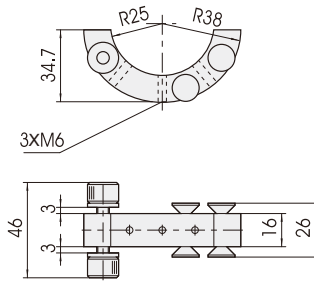
Characteristics:

- Open structure, convenient to load and unload optical element
- Non-contact design ensures optical element not scratched or stuck
- V-shape support with handwheel locking make clamping security

Specifications:

Clamping thickness	3
Weight/g	69

CAD 7MMF203



7MMF3254/7MMF3254S Filter Wheel



7MMF3254



7MMF3254S

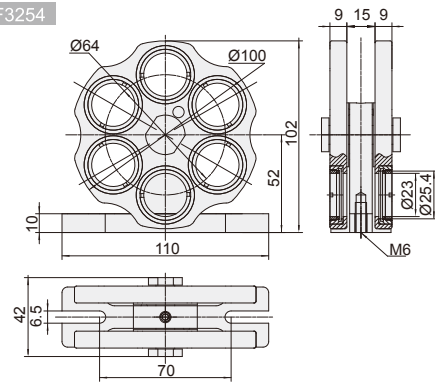
Characteristics:

- For clamping filters or other optical elements
- Center of the optic element will be not changed when changing
- Can be fixed on a table or supported by support posts
- Removable base, support by using support posts

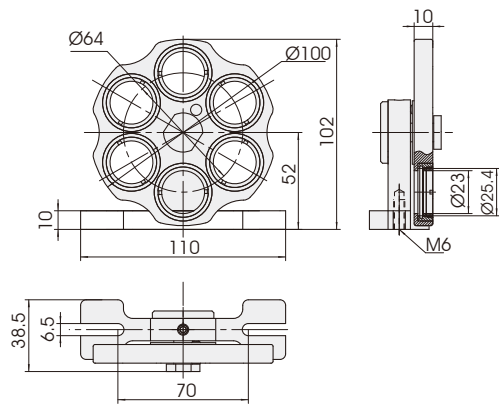
Specifications:

Model	7MMF3254	7MMF3254S
Clamping number	12	6
Clamping diameter	25 / 25.4	
Clamping thickness	1~4	
Aperture	23	
Weight/g	383	255

CAD 7MMF3254



CAD 7MMF3254S



7MMF525 Electric Filter Wheel



7MMF525

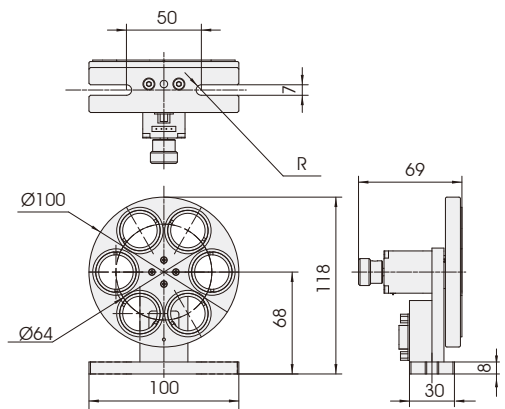
Characteristics:

- For clamping filters or other optical elements
- Holzer switch for zero positioning
- Electric controlled filter rotating and positioning
- Center of the optic element will be not changed when changing
- Can be fixed on a table or supported by support posts
- Removable base, support by using support posts

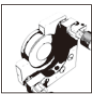
Specifications:

Model	7MMF525
Clamping number	6
Clamping diameter	25 / 25.4
Clamping thickness	1~4
Aperture	23
Weight/g	395

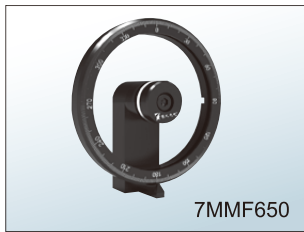
CAD 7MMF525



MIRROR MOUNTS
ADJUSTABLE LENS HOLDERS
LENS HOLDERS
SELF-CENTERING LENS HOLDERS
SPECIAL LENS HOLDER
POLARIZER HOLDERS
CYLINDRICAL LENS HOLDERS
FILTER HOLDERS
ADJUSTABLE PLATE HOLDER
PRECISION PRISM MOUNTS
BEAM STEERERS
OPTIC ADAPTORS
PRECISION LASER MOUNTS
BASEPLATES
MAGNETIC BASES
RIGHT ANGLE BRACKETS
BASE CLAMPS
FINE ADJUSTMENT SCREWS
MICROMETERS
SCREW ADAPTORS
SUPPORT POSTS
POST LIMIT
POST HOLDERS
ROTATIONAL POST HOLDERS
COARSE/FINE ADJUSTMENT POST HOLDERS
CROSS POST HOLDERS
ROTATIONAL HOLDERS
SUPPORT RODS
ROD CLAMP
SLIDING RAILS
RAIL CARRIERS
PRECISION FIBER COUPLERS
PRECISION FIBER POSITIONING SYSTEM
FIBER CLAMPING APPARATUS
PRECISION SPATIAL FILTERS
PINHOLES
PINHOLE MOUNT
IRIS DIAPHRAGMS
IRIS DIAPHRAGM MOUNTS
ADJUSTABLE SLITS
ACCESSORIES



7MMF650 Circular Gradient Density Filter Holder

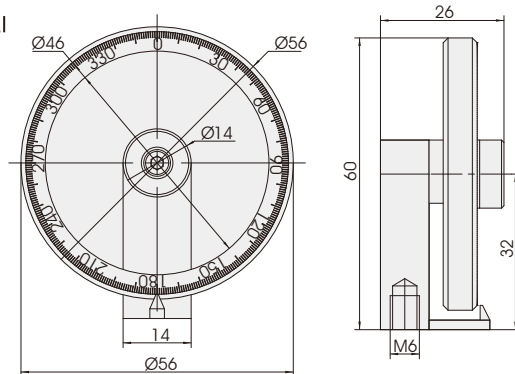


7MMF650

Characteristics:

- For mounting the 7OND series circular radient density filters
- Manual rotation, circumferential characterization in 360°
- Optional installed filter model
- Weight: 33g

CAD 7MMF650 series

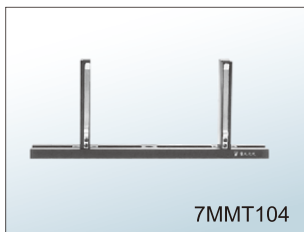


Specifications:

Model	Model of installed filter	Optical density (OD)
7MMF650	No	-
7MMF650-ND1.0	7OND50-1.0	0.0~1.0
7MMF650-ND1.5	7OND50-1.5	0.0~1.5
7MMF650-ND2.0	7OND50-2.0	0.0~2.0
7MMF650-ND3.0	7OND50-3.0	0.0~3.0

ADJUSTABLE PLATE HOLDER

7MMT104 Plate Holder

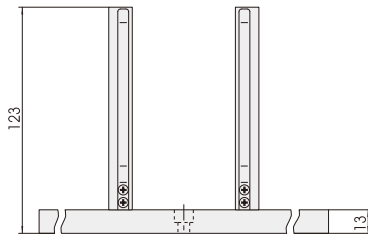


7MMT104

Specifications:

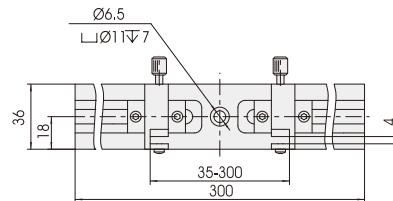
Clamping thickness	4
Clamping width	35~300
Weight/g	566

CAD 7MMT104



Characteristics:

- For mounting dry plate or negative film etc. in holography experiment
- Elastic jacking block to fix rigid thick plate inside
- Leaf spring to clamp negative film outside, convenient to load and unload, suitable for darkroom operation
- Clamping width can be adjustable and make it versatility



7MMT207/217 Plate holders



7MMT207

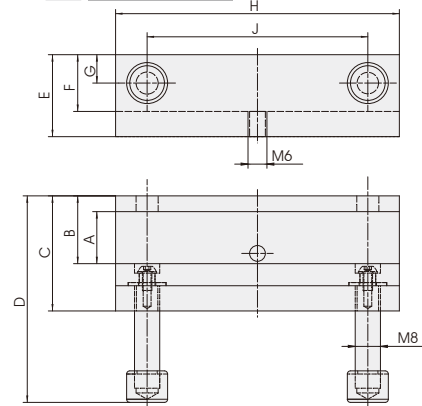
Characteristics:

- For clamping flat optical element

Specifications:

Model	Clamping thickness A	B	C	D	E	F	G	H	J	Weight/g
7MMT207	7	12.5	25	55	28	20	10	60	40	114
7MMT217	17	21.5	36.5	65.5	26	18	9	90	70	190

CAD 7MMT2 series



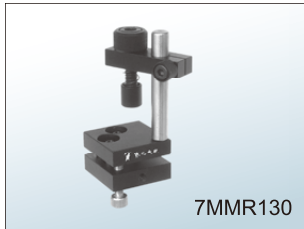
- Solar Cell Performance Testing Department
- Photoconductive Testing Department
- Special Measurement Instrument
- Precision Positioning Systems
- Stages
- Opto-Mechanics
- Tables
- Optical Elements

- MIRROR MOUNTS
- ADJUSTABLE LENS HOLDERS
- LENS HOLDERS
- SELF-CENTERING LENS HOLDERS
- SPECIAL LENS HOLDER
- POLARIZER HOLDERS
- CYLINDRICAL LENS HOLDERS
- FILTER HOLDERS
- ADJUSTABLE PLATE HOLDER
- PRECISION PRISM MOUNTS
- BEAM STEERERS
- OPTIC ADAPTORS
- PRECISION LASER MOUNTS
- BASEPLATES
- MAGNETIC BASES
- RIGHT ANGLE BRACKETS
- BASE CLAMPS
- FINE ADJUSTMENT SCREWS
- MICROMETERS
- SCREW ADAPTORS
- SUPPORT POSTS
- POST LIMIT
- POST HOLDERS
- ROTATIONAL POST HOLDERS
- COARSE FINE ADJUSTMENT POST HOLDERS
- CROSS POST HOLDERS
- ROTATIONAL HOLDERS
- SUPPORT RODS
- ROD CLAMP
- SLIDING RAILS
- RAIL CARRIERS
- PRECISION FIBER COOLERS
- PRECISION FIBER POSITIONING SYSTEM
- FIBER CLAMPING APPARATUS
- PRECISION SPECTRAL FILTERS
- PINHOLES
- PIN-HOLE MOUNT
- IRIS DIAPHRAGMS
- IRIS DIAPHRAGM MOUNTS
- ADJUSTABLE SLITS
- ACCESSORIES



PRECISION PRISM MOUNTS

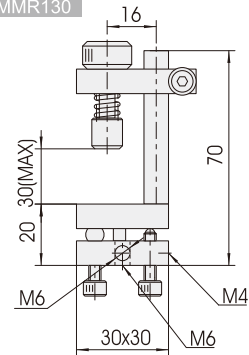
7MMR130 Two-dimensional Prism Mount



Specifications:

Maximum clamping height	30
Platform size	30×30
Adjustment range/°	±5
Weight/g	94

CAD 7MMR130



Characteristics:

- Two-dimensional tilt adjustment for prism
- M4×0.3 fine thread for adjustment by, high precision
- Belleville spring for reset, good stability
- Adjustable elastic device for clamping till rigidity, convenient and reliable

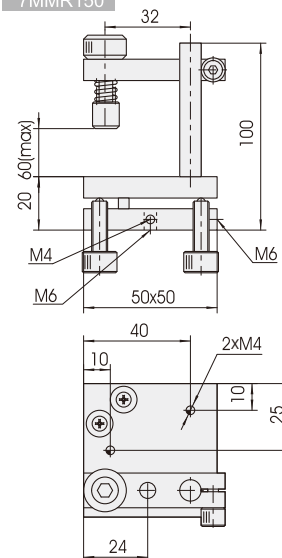
7MMR150 Two-dimensional Prism Mount



Specifications:

Maximum clamping height	60
Platform size	50×50
Adjustment range/°	±5
Weight/g	189

CAD 7MMR150



Characteristics:

- Two-dimensional tilt adjustment for prism
- M4×0.3 fine thread for adjustment by, high precision
- Belleville spring for reset, good stability
- Adjustable elastic device for clamping till rigidity, convenient and reliable

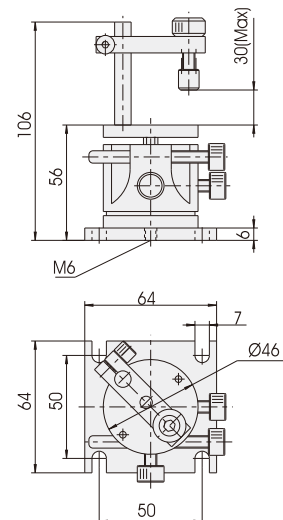
7MMR246 Three-dimensional Prism Mount



Specifications:

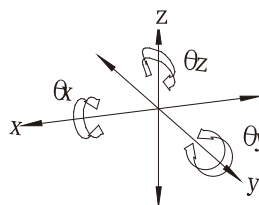
Maximum clamping height	30
Table diameter	Ø46
Horizontal rotation angle/°	7.5
Pitching angle with two dimensions/°	7
Weight/g	363

CAD 7MMR246



Characteristics:

- Integral design with compact structure, provide three-dimensional angle adjustment
- M6×0.25 fine thread for adjustment, spring for reset
- Adjustable elastic device for clamping till rigidity, convenient and reliable



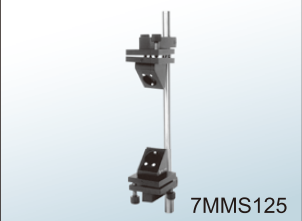
- Solar Cell Performance Testing Department
- Photoconductive Testing Department
- Spectral Measurement Instrument
- Precision Positioning Systems
- Stages
- Opto-Mechanics
- Tables
- Optical Elements
- MIRROR MOUNTS
- ADJUSTABLE LENS HOLDERS
- LENS HOLDERS
- SELF-CENTERING LENS HOLDERS
- SPECIAL LENS HOLDER
- POLARIZER HOLDERS
- CYLINDRICAL LENS HOLDERS
- FILTER HOLDERS
- ADJUSTABLE PLATE HOLDER
- PRECISION PRISM MOUNTS
- BEAM STEERERS
- OPTIC ADAPTORS
- PRECISION LASER MOUNTS
- BASEPLATES
- MAGNETIC BASES
- RIGHT ANGLE BRACKETS
- BASE CLAMPS
- FINE ADJUSTMENT SCREWS
- MICROMETERS
- SCREW ADAPTORS
- SUPPORT POSTS
- POST LIMIT
- POST HOLDERS
- ROTATIONAL POST HOLDERS
- COARSE-FINE ADJUSTMENT POST HOLDERS
- CROSS POST HOLDERS
- ROTATIONAL HOLDERS
- SUPPORT RODS
- ROD CLAMP
- SLIDING RAILS
- RAIL CARRIERS
- PRECISION FIBER COUPLERS
- PRECISION FIBER POSITIONING SYSTEM
- FIBER CLAMPING APPARATUS
- PRECISION SPATIAL FILTERS
- FINHOLES
- FINHOLE MOUNT
- IRIS DIAPHRAGMS
- IRIS DIAPHRAGM MOUNTS
- ADJUSTABLE SLITS
- ACCESSORIES



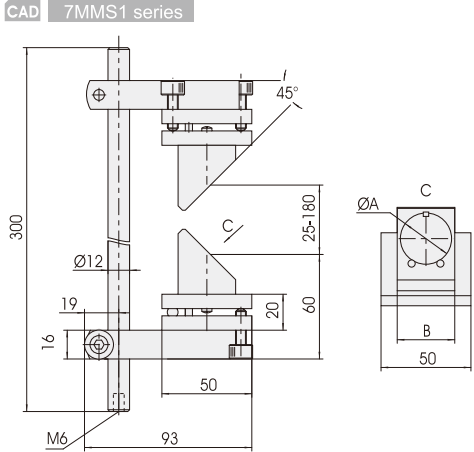
BEAM STEERERS

7MMS series beam steerers can change the direction or height of the beam. Mirrors and prisms with various diameters can be clamped. The mirror mount can be rotated 360° and tilt ±4°. The adjustment uses M6×0.25 ultrafine screw. They use bellville springs for reset with high precision and stability, standard stainless steels for support, convenient installation and good appearance.

7MMS1 series Beam Steerers



- Characteristics:**
- For clamping small circular lens



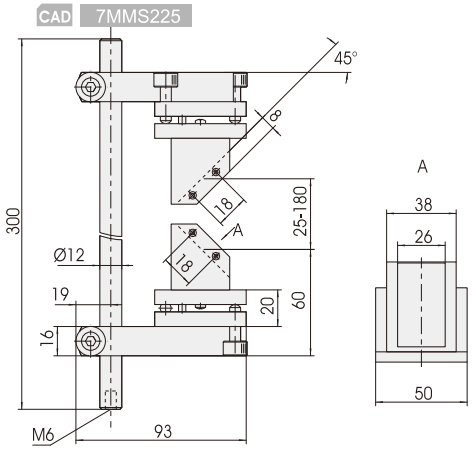
Specifications:

Model	Diameter of lens A	B	Weight/g	Lifting height for beam	Tilt adjustable range/°
7MMS120	20	32	727	25~180	±4
7MMS125	25	32	766		
7MMS130	30	36	797		

7MMS225 Prism Beam Steerer



- Characteristic:**
- For clamping prism with width of 25mm



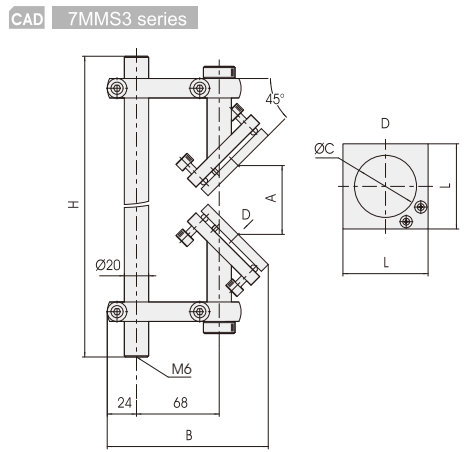
Specifications:

Lifting height for beam	25~180
Tilt adjustable range/°	±4
Weight/g	806

7MMS3 series Beam Steerers



- Characteristic:**
- For clamping large circular lens



Specifications:

Model	Lifting height for beam A	B	Diameter of lens C	H	L	Weight/g	Tilt adjustable range/°
7MMS350	50~180	132	50	324	70	1775	±4
7MMS360	57~180	137	60	334	80	1900	

- Solar Cell Performance Testing Department
- Photoconductive Testing Department
- Special Measurement Instrument
- Precision Positioning Systems
- Stages
- Opto-Mechanics
- Tables
- Optical Elements

- MIRROR MOUNTS
- ADJUSTABLE LENS HOLDERS
- LENS HOLDERS
- SELF-CENTERING LENS HOLDERS
- SPECIAL LENS HOLDER
- POLARIZER HOLDERS
- CYLINDRICAL LENS HOLDERS
- FILTER HOLDERS
- ADJUSTABLE PLATE HOLDER
- PRECISION PRISM MOUNTS
- BEAM STEERERS**
- OPTIC ADAPTORS
- PRECISION LASER MOUNTS
- BASEPLATES
- MAGNETIC BASES
- RIGHT ANGLE BRACKETS
- BASE CLAMPS
- FINE ADJUSTMENT SCREWS
- MICROMETERS
- SCREW ADAPTORS
- SUPPORT POSTS
- POST LIMIT
- POST HOLDERS
- ROTATIONAL POST HOLDERS
- COARSE FINE ADJUSTMENT POST HOLDERS
- CROSS POST HOLDERS
- ROTATIONAL HOLDERS
- SUPPORT RODS
- ROD CLAMP
- SLIDING RAILS
- RAIL CARRIERS
- PRECISION FIBER COOLERS
- PRECISION FIBER POSITIONING SYSTEM
- FIBER CLAMPING APPARATUS
- PRECISION SPECTRAL FILTERS
- PRECISION SPECTRAL FILTERS
- PINHOLES
- PIN-HOLE MOUNT
- IRIS DIAPHRAGMS
- IRIS DIAPHRAGM MOUNTS
- ADJUSTABLE SLITS
- ACCESSORIES



OPTIC ADAPTORS

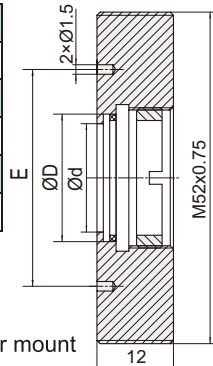
7MA series optic adaptors can be used with other optical mounts to change clamping size. They are strong versatility, multi uses, economy and timesaving.

7MA1 series Optic Adaptors

Specifications:

Model	D	d	E	Weight/g
7MA1127	12.7(0.5in)	11	34	60
7MA120	20	18	34	47
7MA1254	25.4(1in)	23	34	29
7MA130	30	28	34	66
7MA140	40	38	44	54

CAD 7MA1 series



Ancillary product:

- 7MMP350 Polarizer Holder
- 7MM0950 two-dimensional mirror mount
- 7MM1050 two-dimensional mirror mount

7MA2 series Optic Adaptors

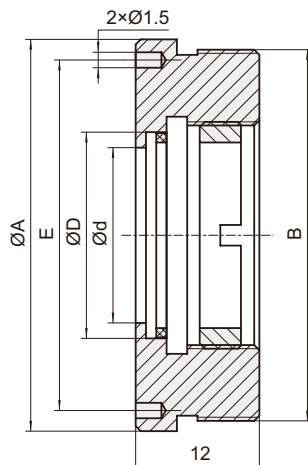
Specifications:

Models	A	B	D	d	E	Weight/g
7MA210	38	M36×0.75	10	8	34	33
7MA2127			12.7	11		30
7MA215			15	13		29
7MA220			20	18		24
7MA225			25	23		18
7MA2254			25.4	23		18
7MA230	58	M56×0.75	30	28	54	11
7MA235			35	33		59
7MA2381			38.1	36		52
7MA240			40	38		48
7MA250			50	46		25
7MA2508			50.8	46		25

Ancillary product:

- 7MM01/04/05/06/15 two-dimensional mirror mounts

CAD 7MA2 series



7MA3 series Optical Adaptors

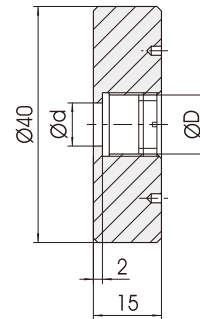
Specifications:

Model	D	d	Weight/g
7MA3127	12.7	11	46
7MA320	20	18	38
7MA3254	25.4	23	31
7MA330	30	28	22

Ancillary product:

- 7MM0940 two-dimensional mirror mount

CAD 7MA3 series



7MA4127 Optical Adaptor

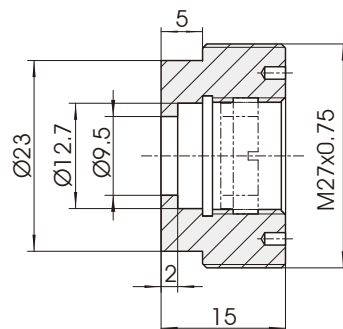


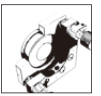
Weight 16g

Ancillary product:

- 7MMP2254 Polarizer Holder

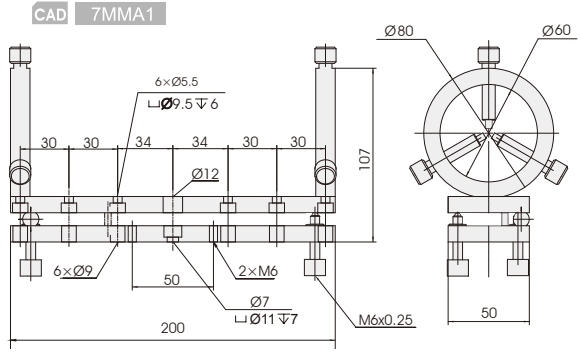
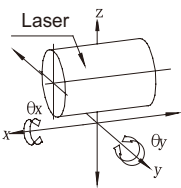
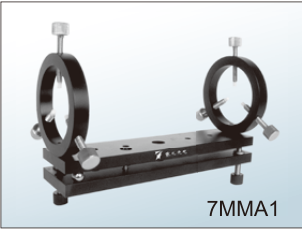
CAD 7MA4127





PRECISION LASER MOUNTS

7MMA1 Laser Mount



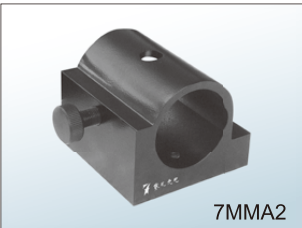
Characteristics:

- For rotating and pitching laser diode
- Three-claw on both the front and the end, stable fixing
- For clamping different diameters of the laser diode or cylinder, and the center can be adjusted
- The mutual distance between the two three-claw is adjustable, and suitable for different length of laser diode
- M6×0.25 fine thread for adjustment and Belleville spring for reset

Specifications:

Maximum clamping diameter	60
Pitching range/°	±5
Weight/g	845

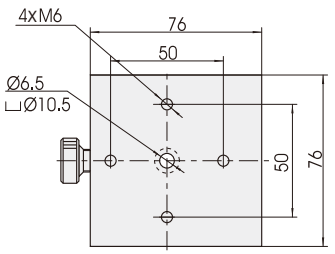
7MMA2 Laser Mount



Specifications:

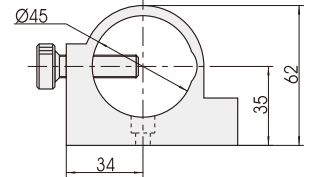
Maximum clamping diameter	45
Weight/g	423

CAD 7MMA2

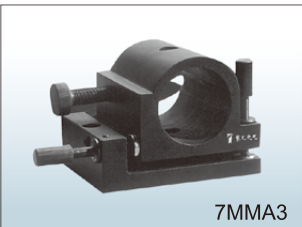


Characteristics:

- Simple structure, convenient and practical
- Can be fixed on other mount to do adjustment



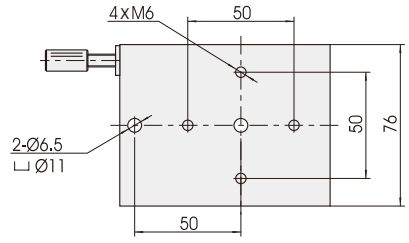
7MMA3 Laser Mount



Specifications:

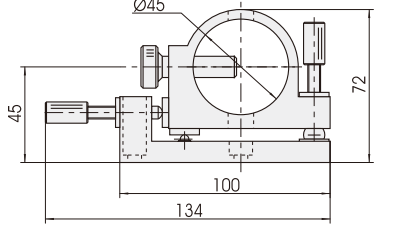
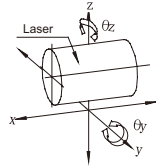
Maximum clamping diameter	45
Pitching range/°	±5
Weight/g	635

CAD 7MMA3



Characteristics:

- For pitching and swing the laser diode
- Locking screw is made of non-metallic materials. A relative long groove inside the mount for holding with stability and security
- For clamping different diameters of the laser diode or cylinder
- M6×0.25 fine thread for adjustment and Belleville spring for reset

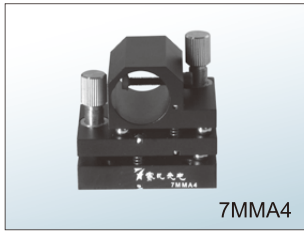


- MIRROR MOUNTS
- ADJUSTABLE LENS HOLDERS
- LENS HOLDERS
- SELF-CENTERING LENS HOLDERS
- SPECIAL LENS HOLDER
- POLARIZER HOLDERS
- CYLINDRICAL LENS HOLDERS
- FILTER HOLDERS
- ADJUSTABLE PLATE HOLDER
- PRECISION PRISM MOUNTS
- BEAM STEERERS
- OPTIC ADAPTORS
- PRECISION LASER MOUNTS**
- BASEPLATES
- MAGNETIC BASES
- RIGHT ANGLE BRACKETS
- BASE CLAMPS
- FINE ADJUSTMENT SCREWS
- MICROMETERS
- SCREW ADAPTORS
- SUPPORT POSTS
- POST LIMIT
- POST HOLDERS
- ROTATIONAL POST HOLDERS
- COARSE/FINE ADJUSTMENT POST HOLDERS
- CROSS POST HOLDERS
- ROTATIONAL HOLDERS
- SUPPORT RODS
- ROD CLAMP
- SLIDING RAILS
- RAIL CLAMPERS
- PRECISION FIBER COOLERS
- PRECISION FIBER POSITIONING SYSTEM
- FIBER CLAMPING APPARATUS
- PRECISION SPECTRAL FILTERS
- PINHOLES
- PIN-OLE MOUNT
- IRIS DIAPHRAGMS
- IRIS DIAPHRAGM MOUNTS
- ADJUSTABLE SLITS
- ACCESSORIES

- Solar Cell Performance Testing Department
- Photoconductive Testing Department
- Special Measurement Instrument
- Precision Positioning Systems
- Stages
- Opto-Mechanics
- Tables
- Optical Elements



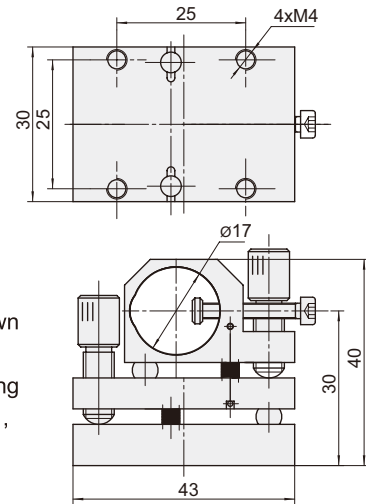
7MMA4 Laser Mount



Specifications:

CAD 7MMA4

Maximum clamping diameter	12
Pitching range/°	±4
Weight/g	87



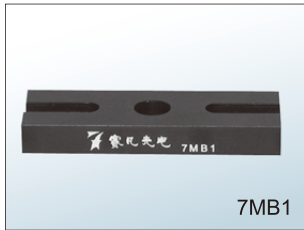
Characteristics:

- The laser diode can be adjusted on pitch position and also with up or down translation adjustment
- Locking screw using non-metallic materials, position to the hole for the locking screw can be made due to a long groove on it. Holding stability and security ,
- Can clamp the laser diodes with different diameters or cylinder
- With M6×0.25 fine teeth screw driving , spring reset with high quality

BASEPLATES

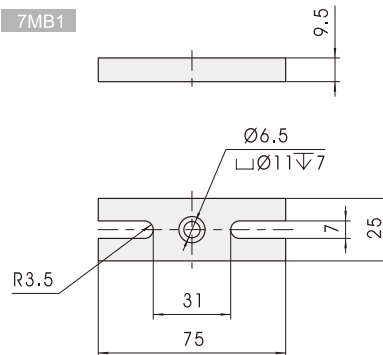
7MB series baseplates are used to fix mounts on the working table or combine a variety of adjusting rack. They have multi specifications and flexible for selection.

7MB1 Baseplate



CAD 7MB1

Weight	29g
--------	-----

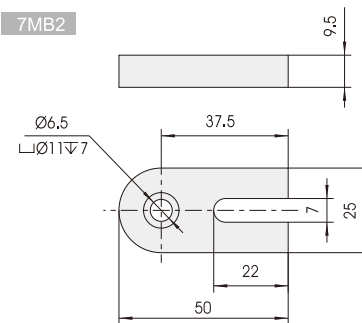


7MB2 Baseplate

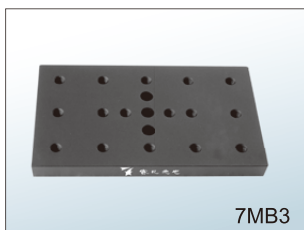


CAD 7MB2

Weight	25g
--------	-----



7MB3 Baseplate

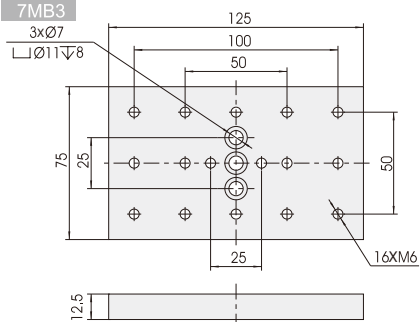


Characteristics:

- Standard screw diameter and distance, strong versatility, can be connected to multiple series of products

CAD 7MB3

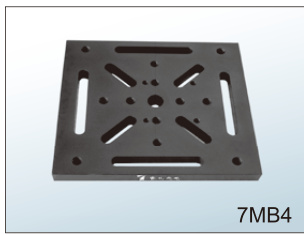
Weight	306g
--------	------



- Solar Cell Performance Testing Department
- Photoconductive Testing Department
- Spectral Measurement Instrument
- Precision Positioning Systems
- Stages
- Opto-Mechanics
- Tables
- Optical Elements
- MIRROR MOUNTS
- ADJUSTABLE LENS HOLDERS
- LENS HOLDERS
- SELF-CENTERING LENS HOLDERS
- SPECIAL LENS HOLDERS
- POLARIZER HOLDERS
- CYLINDRICAL LENS HOLDERS
- FILTER HOLDERS
- ADJUSTABLE PLATE HOLDER
- PRECISION PRISM MOUNTS
- BEAM STEERERS
- OPTIC ADAPTORS
- PRECISION LASER MOUNTS
- BASEPLATES
- MAGNETIC BASES
- RIGHT ANGLE BRACKETS
- BASE CLAMPS
- FINE ADJUSTMENT SCREWS
- MICROMETERS
- SCREW ADAPTORS
- SUPPORT POSTS
- POST LIMIT
- POST HOLDERS
- ROTATIONAL POST HOLDERS
- COURSE/FINE ADJUSTMENT POST HOLDERS
- CROSS POST HOLDERS
- ROTATIONAL HOLDERS
- SUPPORT RODS
- ROD CLAMP
- SLIDING RAILS
- RAIL CARRIERS
- PRECISION FIBER COUPLERS
- PRECISION FIBER POSITIONING SYSTEM
- FIBER CLAMPING APPARATUS
- PRECISION SPATIAL FILTERS
- PINHOLES
- PIN-HOLE MOUNT
- IRIS DIAPHRAGMS
- IRIS DIAPHRAGM MOUNTS
- ADJUSTABLE SLITS
- ACCESSORIES



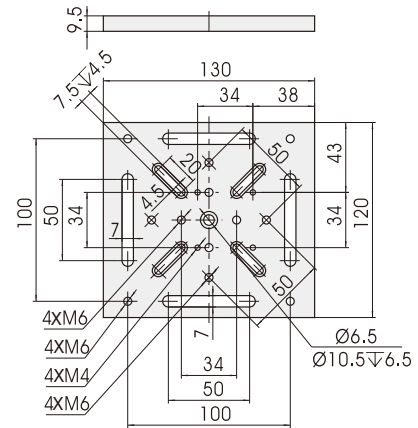
7MB4 Baseplate



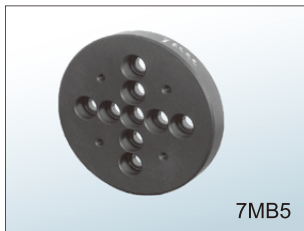
7MB4

Weight	344g
--------	------

CAD 7MB4



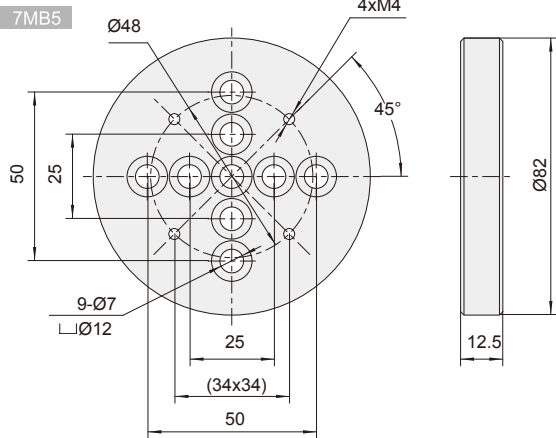
7MB5 Baseplate



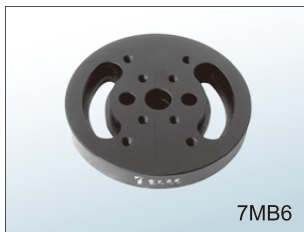
7MB5

Weight	154g
--------	------

CAD 7MB5



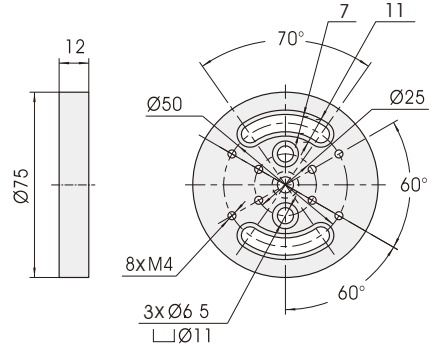
7MB6 Baseplate



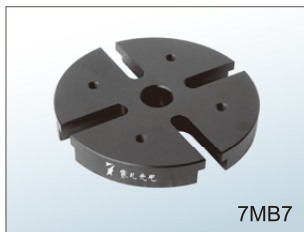
7MB6

Weight	114g
--------	------

CAD 7MB6



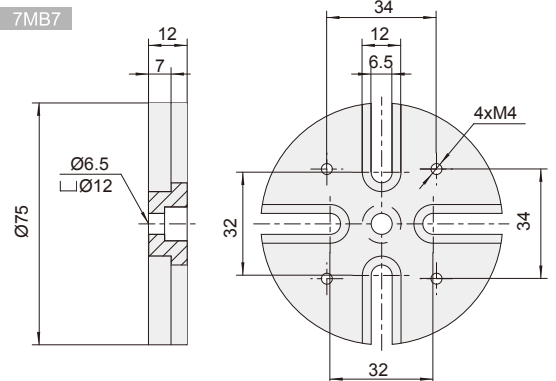
7MB7 Baseplate



7MB7

Weight	110g
--------	------

CAD 7MB7



- Solar Cell Performance Testing Department
- Photoconductive Testing Department
- Special Measurement Instrument
- Precision Positioning Systems
- Stages
- Opto-Mechanics
- Tables
- Optical Elements

- MIRROR MOUNTS
- ADJUSTABLE LENS HOLDERS
- LENS HOLDERS
- SELF-CENTERING LENS HOLDERS
- SPECIAL LENS HOLDER
- POLARIZER HOLDERS
- CYLINDRICAL LENS HOLDERS
- FILTER HOLDERS
- ADJUSTABLE PLATE HOLDER
- PRECISION PRISM MOUNTS
- BEAM STEERERS
- OPTIC ADAPTORS
- PRECISION LASER MOUNTS
- BASEPLATES**
- MAGNETIC BASES
- RIGHT ANGLE BRACKETS
- BASE CLAMPS
- FINE ADJUSTMENT SCREWS
- MICROMETERS
- SCREW ADAPTORS
- SUPPORT POSTS
- POST LIMIT
- POST HOLDERS
- ROTATIONAL POST HOLDERS
- COARSE/FINE ADJUSTMENT POST HOLDERS
- CROSS POST HOLDERS
- ROTATIONAL HOLDERS
- SUPPORT RODS
- ROD CLAMP
- SLIDING RAILS
- RAIL CARRIERS
- PRECISION FIBER COOLERS
- PRECISION FIBER POSITIONING SYSTEM
- FIBER CLAMPING APPARATUS
- PRECISION SPECTRAL FILTERS
- PIN HOLES
- PIN-HOLE MOUNT
- IRIS DIAPHRAGMS
- IRIS DIAPHRAGM MOUNTS
- ADJUSTABLE SLITS
- ACCESSORIES



Solar Cell Performance
Testing Department

Photoconductive
Testing Department

Spatial Measurement
Instrument

Precision Positioning
Systems

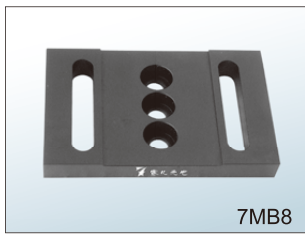
Stages

Opto-
Mechanics

Tables

Optical
Elements

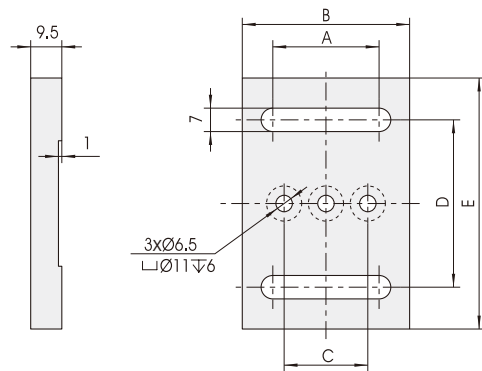
7MB8/7MB9/7MB10 Baseplate



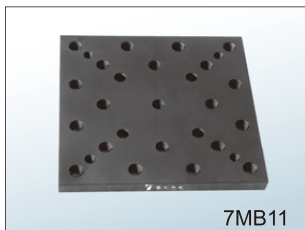
7MB8

Model	A	B	C	D	E	Weight/g
7MB8	32	50	25	50	75	74
7MB9	83	100	75	75	100	208
7MB10	133	150	125	125	150	488

CAD 7MB8/7MB9/7MB10



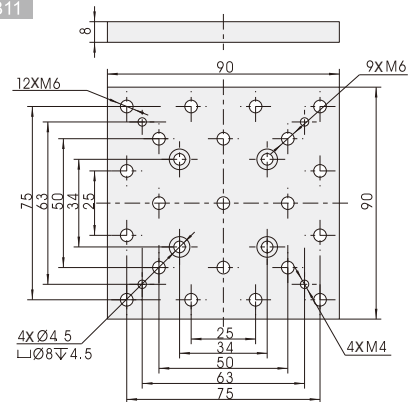
7MB11 Baseplate



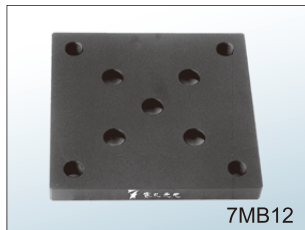
7MB11

Weight	166g
--------	------

CAD 7MB11



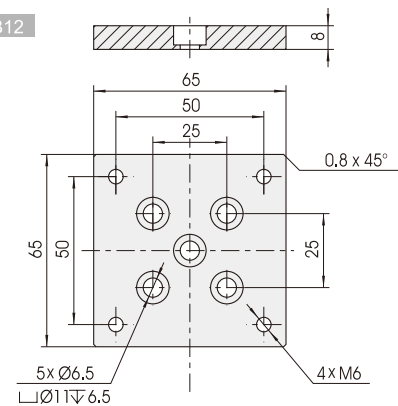
7MB12 Baseplate



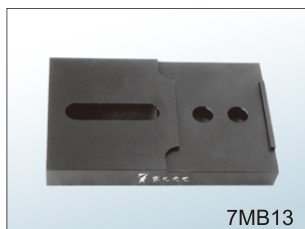
7MB12

Weight	82g
--------	-----

CAD 7MB12



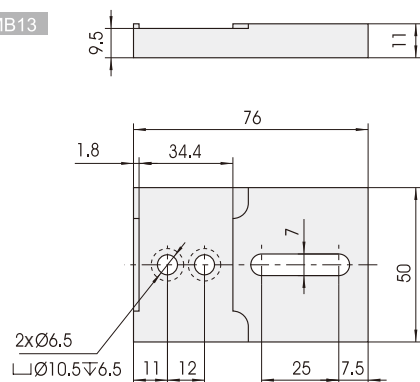
7MB13 Baseplate



7MB13

Weight	98g
--------	-----

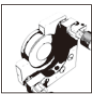
CAD 7MB13



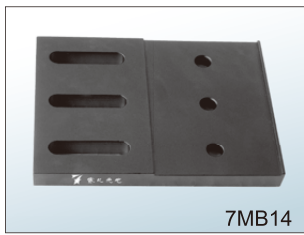
Ancillary products:

- 7MM0850 two-dimensional mirror mounts
- 7MMC251 three-dimensional cylindrical lens holder

- MIRROR MOUNTS
- ADJUSTABLE LENS HOLDERS
- LENS HOLDERS
- SELF-CENTERING LENS HOLDERS
- SPECIAL LENS HOLDER
- POLARIZER HOLDERS
- CYLINDRICAL LENS HOLDERS
- FILTER HOLDERS
- ADJUSTABLE PLATE HOLDER
- PRECISION PRISM MOUNTS
- BEAM STEERERS
- OPTIC ADAPTORS
- PRECISION LASER MOUNTS
- BASEPLATES**
- MAGNETIC BASES
- RIGHT ANGLE BRACKETS
- BASE CLAMPS
- FINE ADJUSTMENT SCREWS
- MICROMETERS
- SCREW ADAPTORS
- SUPPORT POSTS
- POST LIMIT
- POST HOLDERS
- ROTATIONAL POST HOLDERS
- COURSE FINE ADJUSTMENT POST HOLDERS
- CROSS POST HOLDERS
- ROTATIONAL HOLDERS
- SUPPORT RODS
- ROD CLAMP
- SLIDING RAILS
- RAIL CARRIERS
- PRECISION FIBER COUPLERS
- PRECISION FIBER POSITIONING SYSTEM
- FIBER CLAMPING APPARATUS
- PRECISION SPATIAL FILTERS
- PINHOLES
- PIN HOLE MOUNT
- IRIS DIAPHRAGMS
- IRIS DIAPHRAGM MOUNTS
- ADJUSTABLE SLITS
- ACCESSORIES



7MB14 Baseplate



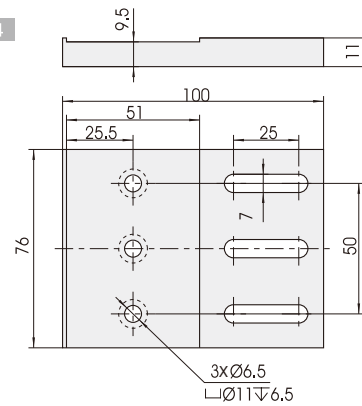
7MB14

Weight	189g
--------	------

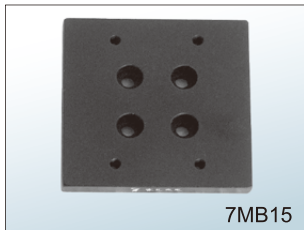
Ancillary product:

CAD 7MB14

- 7MM1050 Adjusting lensmount with five dimensions



7MB15 Baseplate



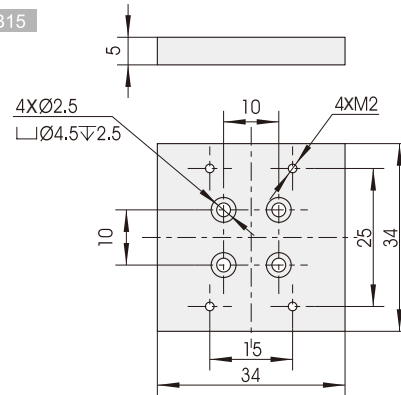
7MB15

Weight	15g
--------	-----

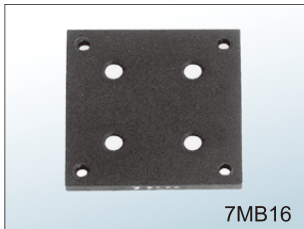
Ancillary products:

CAD 7MB15

- 7STM02113 translation stage
- STM02213 translation stage



7MB16 Baseplate



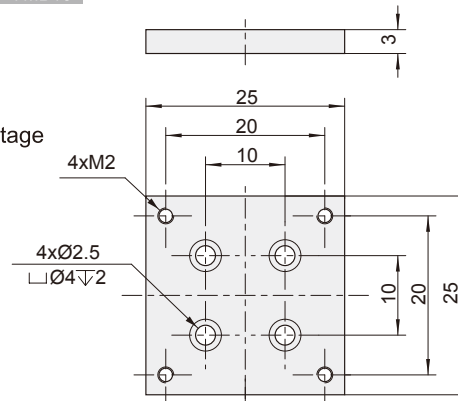
7MB16

Weight	5g
--------	----

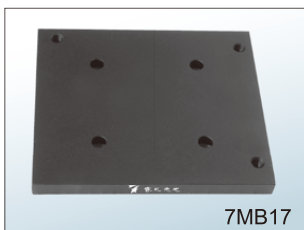
Ancillary products:

CAD 7MB16

- 7STM02113 translation stage
- 7STM02213 translation stage
- 7SGM02 series goniometers
- 7SVM0605 vertical translation stage



7MB17 Baseplate



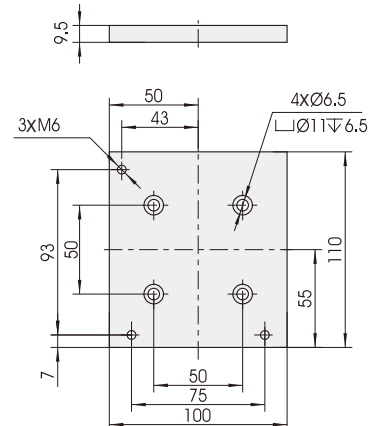
7MB17

Weight	279g
--------	------

Ancillary product:

CAD 7MB17

- 7SRA1100 rotary stage



- Solar Cell Performance Testing Department
- Photoconductive Testing Department
- Special Measurement Instrument
- Precision Positioning Systems
- Stages
- Opto-Mechanics
- Tables
- Optical Elements

- MIRROR MOUNTS
- ADJUSTABLE LENS HOLDERS
- LENS HOLDERS
- SELF-CENTERING LENS HOLDERS
- SPECIAL LENS HOLDER
- POLARIZER HOLDERS
- CYLINDRICAL LENS HOLDERS
- FILTER HOLDERS
- ADJUSTABLE PLATE HOLDER
- PRECISION PRISM MOUNTS
- BEAM STEERERS
- OPTIC ADAPTORS
- PRECISION LASER MOUNTS
- BASEPLATES**
- MAGNETIC BASES
- RIGHT ANGLE BRACKETS
- BASE CLAMPS
- FINE ADJUSTMENT SCREWS
- MICROMETERS
- SCREW ADAPTORS
- SUPPORT POSTS
- POST LIMIT
- POST HOLDERS
- ROTATIONAL POST HOLDERS
- COARSE FINE ADJUSTMENT POST HOLDERS
- CROSS POST HOLDERS
- ROTATIONAL HOLDERS
- SUPPORT RODS
- ROD CLAMP
- SLIDING RAILS
- RAIL DRIVERS
- PRECISION FIBER COOLERS
- PRECISION FIBER POSITIONING SYSTEM
- FIBER CLAMPING APPARATUS
- PRECISION SPECTRAL FILTERS
- PIN HOLES
- PIN-HOLE MOUNT
- IRIS DIAPHRAGMS
- IRIS DIAPHRAGM MOUNTS
- ADJUSTABLE SLITS
- ACCESSORIES



Solar Cell Performance Testing Department

Photoconductive Testing Department

Spectral Measurement Instrument

Precision Positioning Systems

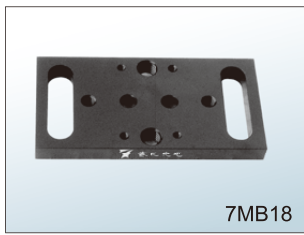
Stages

Opto-Mechanics

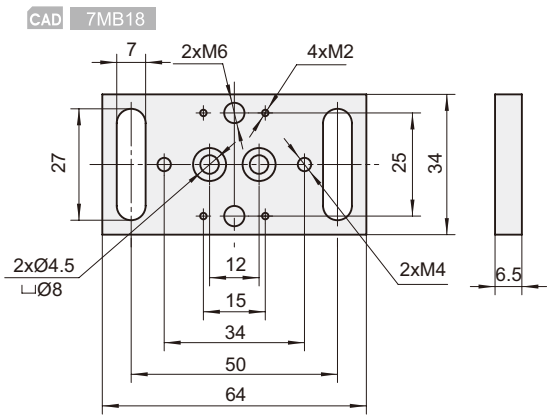
Tables

Optical Elements

7MB18 Baseplate



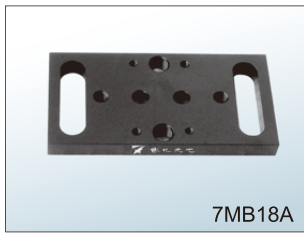
Weight	30g
--------	-----



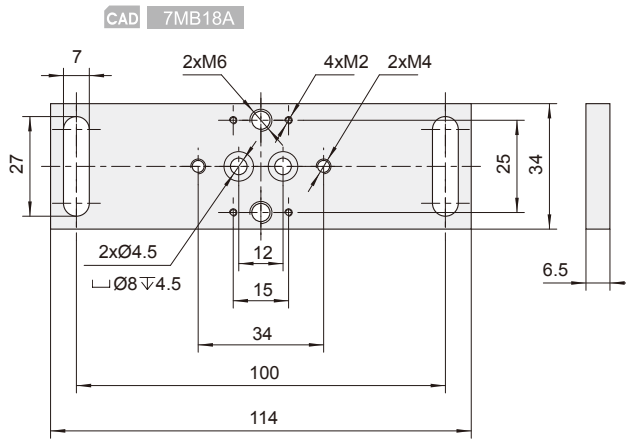
Ancillary products:

- 7STM02213 translation stage
- 7STM01213 translation stage

7MB18A Baseplate



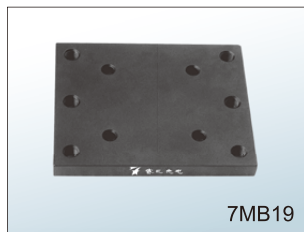
Weight	61g
--------	-----



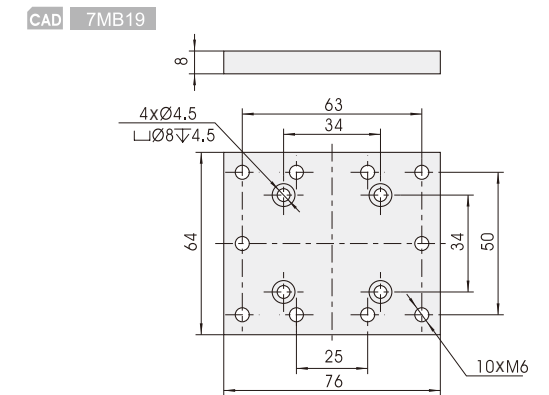
Ancillary products:

- 7STM02213 translation stage
- 7STM01213 translation stage

7MB19 Baseplate



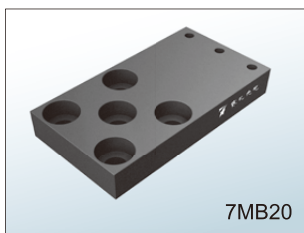
Weight	100g
--------	------



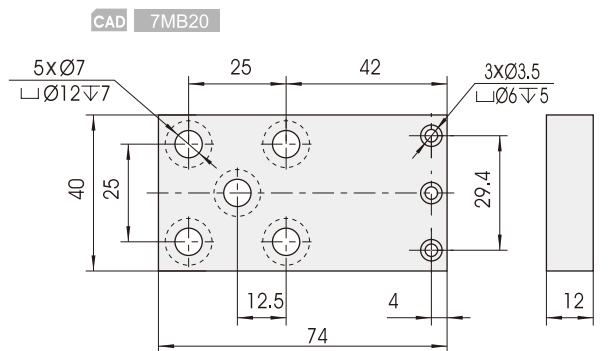
Ancillary product:

- 7SVM0505 vertical translation stage

7MB20 Baseplate



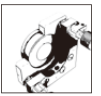
Weight	83g
--------	-----



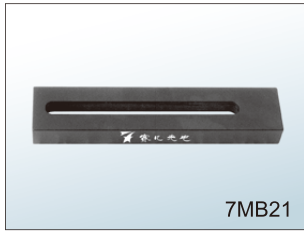
Ancillary products:

- 7MFP0201 two-dimensional fiber mount
- 7MFP0202 two-dimensional fiber mount
- 7SWM03113 triaxial translation stage (right-hand)
- 7SWM03213 triaxial translation stage (left-hand)

- MIRROR MOUNTS
- ADJUSTABLE LENS HOLDERS
- LENS HOLDERS
- SELF-CENTERING LENS HOLDERS
- SPECIAL LENS HOLDER
- POLARIZER HOLDERS
- CYLINDRICAL LENS HOLDERS
- FILTER HOLDERS
- ADJUSTABLE PLATE HOLDER
- PRECISION PRISM MOUNTS
- BEAM STEERERS
- OPTIC ADAPTORS
- PRECISION LASER MOUNTS
- BASEPLATES**
- MAGNETIC BASES
- RIGHT ANGLE BRACKETS
- BASE CLAMPS
- FINE ADJUSTMENT SCREWS
- MICROMETERS
- SCREW ADAPTORS
- SUPPORT POSTS
- POST LIMIT
- POST HOLDERS
- ROTATIONAL POST HOLDERS
- COURSE-FINE ADJUSTMENT POST HOLDERS
- CROSS POST HOLDERS
- ROTATIONAL HOLDERS
- SUPPORT RODS
- ROD CLAMP
- SLIDING RAILS
- RAIL CARRIERS
- PRECISION FIBER COUPLERS
- PRECISION FIBER POSITIONING SYSTEM
- FIBER CLAMPING APPARATUS
- PRECISION SPATIAL FILTERS
- FINHOLES
- FINHOLE MOUNT
- IRIS DIAPHRAGMS
- IRIS DIAPHRAGM MOUNTS
- ADJUSTABLE SLITS
- ACCESSORIES



7MB21 Baseplate

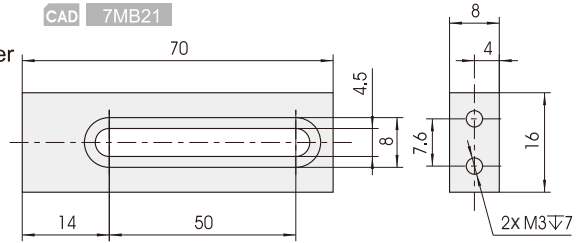


7MB21

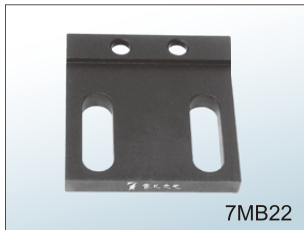
Weight	16g
--------	-----

Ancillary product:

- 7MFH3 V-shape fiber holder



7MB22 Baseplate

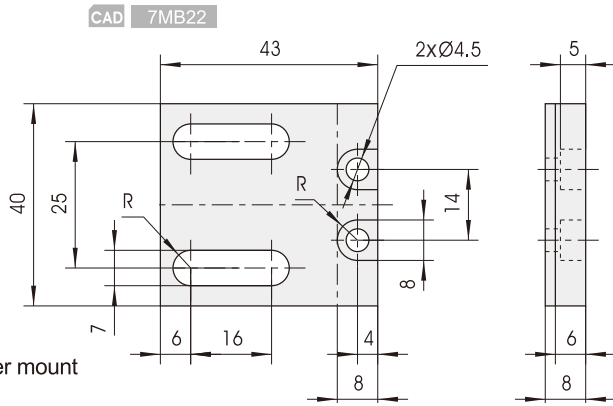


7MB22

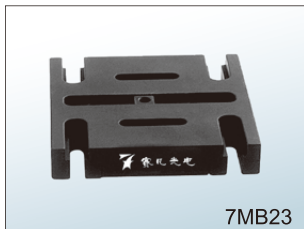
Weight	23g
--------	-----

Ancillary product:

- 7MM01/02/03/04/05/06/15/16 series two-dimensional fiber mount



7MB23 Two-dimensional Baseplate

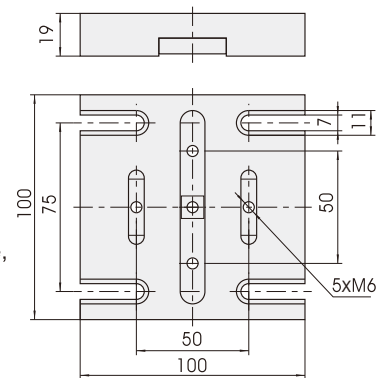


7MB23

Specifications:

Travel	±13
Weight	376g

CAD 7MB23



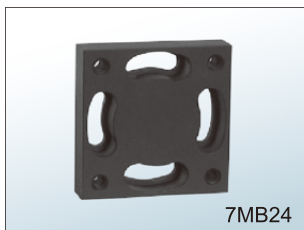
Characteristics:

- With double slot structure, when a layer fixed, another layer is movable, more convenient to use

Ancillary product:

- 7MPR series support posts

7MB24 Baseplate



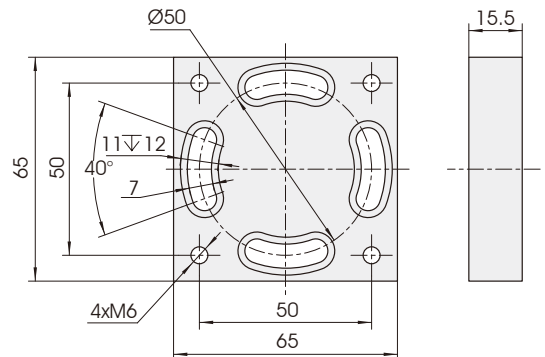
7MB24

Weight	133g
--------	------

Ancillary products:

- 7SRA1100 rotary stage
- 7SGA1 series goniometers

CAD 7MB24



- Solar Cell Performance Testing Department
- Photoconductive Testing Department
- Special Measurement Instrument
- Precision Positioning Systems
- Stages
- Opto-Mechanics
- Tables
- Optical Elements

- MIRROR MOUNTS
- ADJUSTABLE LENS HOLDERS
- LENS HOLDERS
- SELF-CENTERING LENS HOLDERS
- SPECIAL LENS HOLDER
- POLARIZER HOLDERS
- CYLINDRICAL LENS HOLDERS
- FILTER HOLDERS
- ADJUSTABLE PLATE HOLDER
- PRECISION PRISM MOUNTS
- BEAM STEERERS
- OPTIC ADAPTORS
- PRECISION LASER MOUNTS
- BASEPLATES**
- MAGNETIC BASES
- RIGHT ANGLE BRACKETS
- BASE CLAMPS
- FINE ADJUSTMENT SCREWS
- MICROMETERS
- SCREW ADAPTORS
- SUPPORT POSTS
- POST LIMIT
- POST HOLDERS
- ROTATIONAL POST HOLDERS
- COARSE FINE ADJUSTMENT POST HOLDERS
- CROSS POST HOLDERS
- ROTATIONAL HOLDERS
- SUPPORT RODS
- ROD CLAMP
- SLIDING RAILS
- RAIL DRIVERS
- PRECISION FIBER COOLERS
- PRECISION FIBER POSITIONING SYSTEM
- FIBER CLAMPING APPARATUS
- PRECISION SPECTRAL FILTERS
- PIN HOLES
- PIN-HOLE MOUNT
- IRIS DIAPHRAGMS
- IRIS DIAPHRAGM MOUNTS
- ADJUSTABLE SLITS
- ACCESSORIES



Solar Cell Performance Testing Department

Photoconductive Testing Department

Spectral Measurement Instrument

Precision Positioning Systems

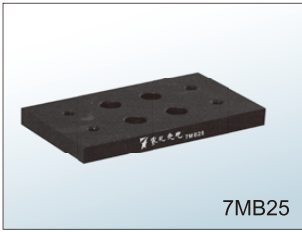
Stages

Opto-Mechanics

Tables

Optical Elements

7MB25 Baseplate

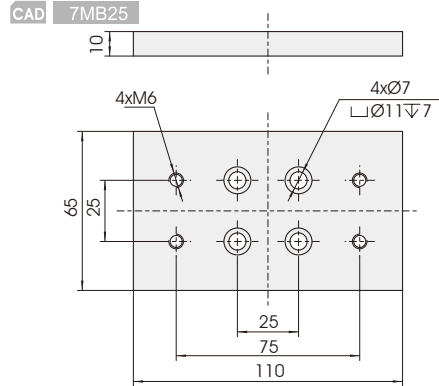


7MB25

Weight	187g
--------	------

Ancillary product:

- 7STM0675 translation stage



7MB26 Baseplate

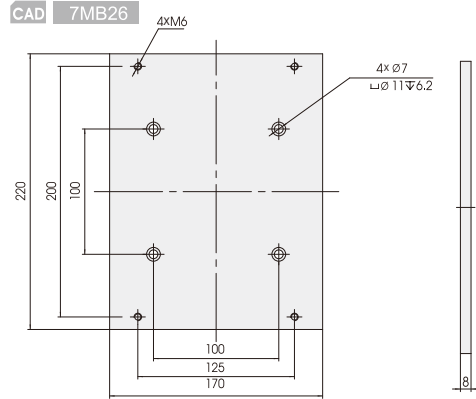


7MB26

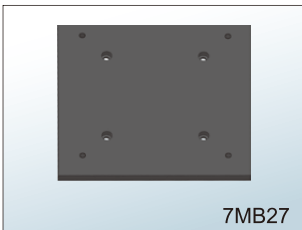
Weight	817g
--------	------

Ancillary product:

- 7SGA215 goniometers



7MB27 Baseplate

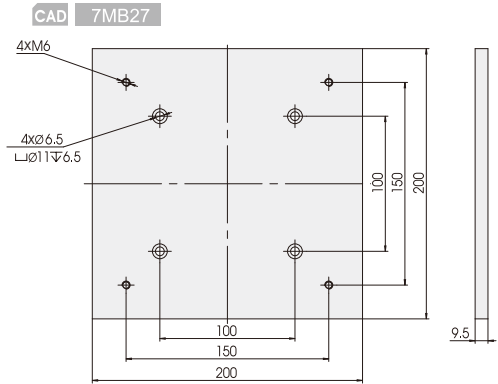


7MB27

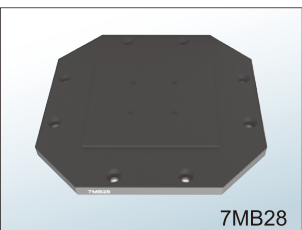
Weight	1037g
--------	-------

Ancillary product:

- 7SRA1200 rotary stage



7MB28 Baseplate

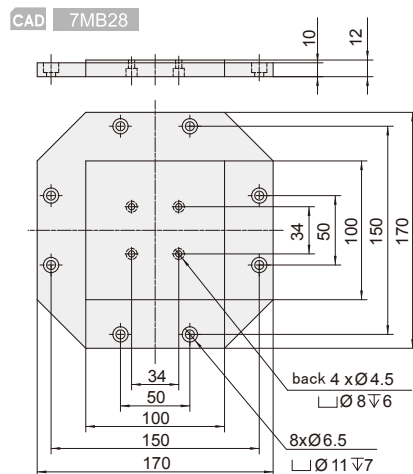


7MB28

Weight	764g
--------	------

Ancillary product:

- 7SWA03 series motorized biaxial translation stages



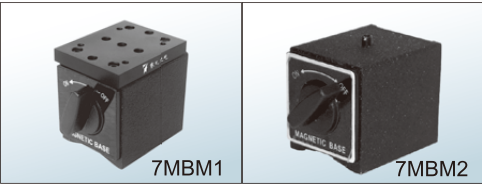
- MIRROR MOUNTS
- ADJUSTABLE LENS HOLDERS
- LENS HOLDERS
- SELF-CENTERING LENS HOLDERS
- SPECIAL LENS HOLDERS
- POLARIZER HOLDERS
- CYLINDRICAL LENS HOLDERS
- FILTER HOLDERS
- ADJUSTABLE PLATE HOLDER
- PRECISION PRISM MOUNTS
- BEAM STEERERS
- OPTIC ADAPTORS
- PRECISION LASER MOUNTS
- BASEPLATES**
- MAGNETIC BASES
- RIGHT ANGLE BRACKETS
- BASE CLAMPS
- FINE ADJUSTMENT SCREWS
- MICROMETERS
- SCREW ADAPTORS
- SUPPORT POSTS
- POST LIMIT
- POST HOLDERS
- ROTATIONAL POST HOLDERS
- COURSE FINE ADJUSTMENT POST HOLDERS
- CROSS POST HOLDERS
- ROTATIONAL HOLDERS
- SUPPORT RODS
- ROD CLAMP
- SLIDING RAILS
- RAIL CARRIERS
- PRECISION FIBER COUPLERS
- PRECISION FIBER POSITIONING SYSTEM
- FIBER CLAMPING APPARATUS
- PRECISION SPATIAL FILTERS
- PINHOLES
- PIN-HOLE MOUNT
- IRIS DIAPHRAGMS
- IRIS DIAPHRAGM MOUNTS
- ADJUSTABLE SLITS
- ACCESSORIES



MAGNETIC BASES

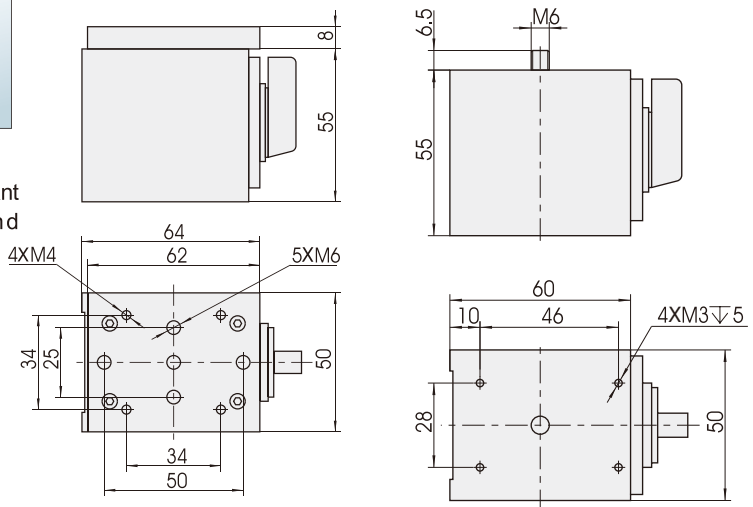
There is permanent magnet inside the 7MBM series magnetic base. It can put on-off magnetic and make the force from zero to the maximum gradient in an instant. If there is an optical platform or other ferromagnetic platform in your lab, using magnetic base for fixing or adjusting is very convenient without limit by fixing hole.

7MBM1/7MBM2 Magnetic Base



CAD 7MBM1

CAD 7MBM2



Characteristics:

- Magnetic force can be put on-off in an instant
- Simple structure, high quality and inexpensive

Specifications:

Adsorption force	60kg
Weight	1kg

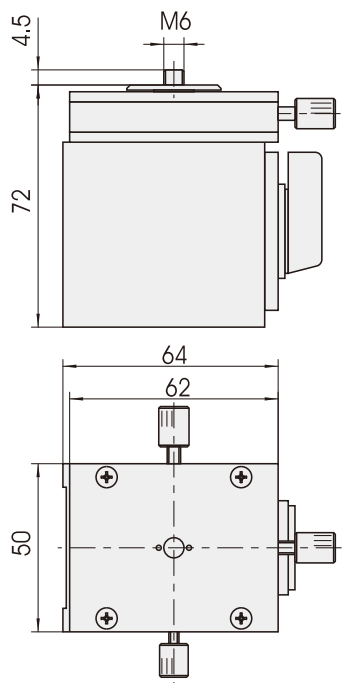
Ancillary products:

- 7MP series support posts
- 7MH series support holder

7MBM3 Integrated Magnetic Base



CAD 7MBM3



Characteristics:

- Magnetic force can be put on-off in an instant
- M6 thread for fixing and can do two-dimensional translation and be locked
- Combined with the rotational post holder or adjustable post holder to realize three-dimensional adjustment

Specifications:

Trvel	±2mm
Load	3kg
Adsorption force	60kg
Weight	1.1kg

Ancillary products:

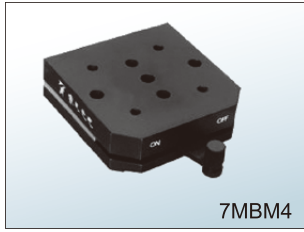
- 7MP series support posts
- 7MH series post holders

- Solar Cell Performance Testing Department
- Photoconductive Testing Department
- Special Measurement Instrument
- Precision Positioning Systems
- Stages
- Opto-Mechanics
- Tables
- Optical Elements

- MIRROR MOUNTS
 - ADJUSTABLE LENS HOLDERS
 - LENS HOLDERS
 - SELF-CENTERING LENS HOLDERS
 - SPECIAL LENS HOLDER
 - POLARIZER HOLDERS
 - CYLINDRICAL LENS HOLDERS
 - FILTER HOLDERS
 - ADJUSTABLE PLATE HOLDER
 - PRECISION PRISM MOUNTS
 - BEAM STEERERS
 - OPTIC ADAPTORS
 - PRECISION LASER MOUNTS
 - BASEPLATES
- MAGNETIC BASES
 - RIGHT ANGLE BRACKETS
 - BASE CLAMPS
 - FINE ADJUSTMENT SCREWS
 - MICROMETERS
 - SCREW ADAPTORS
 - SUPPORT POSTS
 - POST LIMIT
 - POST HOLDERS
 - ROTATIONAL POST HOLDERS
 - COARSE FINE ADJUSTMENT POST HOLDERS
 - CROSS POST HOLDERS
 - ROTATIONAL HOLDERS
 - SUPPORT RODS
 - ROD CLAMP
 - SLIDING RAILS
 - RAIL CARRIERS
 - PRECISION FIBER COOLERS
 - PRECISION FIBER POSITIONING SYSTEM
 - FIBER CLAMPING APPARATUS
 - PRECISION SPECTRAL FILTERS
 - PIN-HOLES
 - PIN-HOLE MOUNT
 - IRIS DIAPHRAGMS
 - IRIS DIAPHRAGM MOUNTS
 - ADJUSTABLE SLITS
 - ACCESSORIES



7MBM4 Magnetic Base

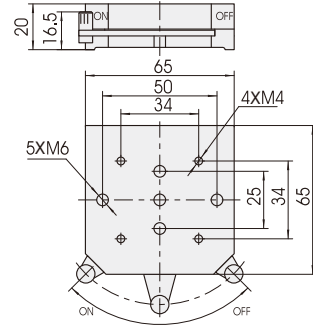


7MBM4

Specifications:

Adsorption force	0~23kg
Height	20mm
Weight	550g

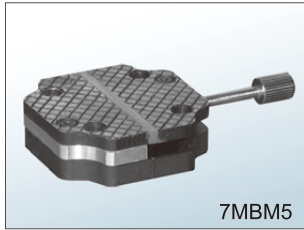
CAD 7MBM4



Characteristics:

- Thin and good appearance
- Standard screw hole with standard distance on the surface, convenient for use

7MBM5 Magnetic Base

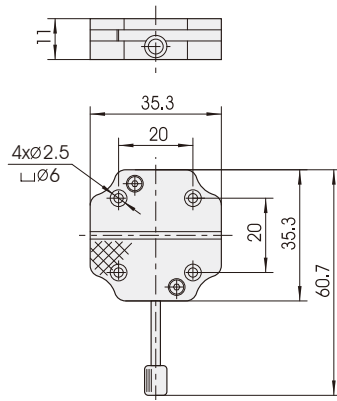


7MBM5

Specifications:

Adsorption force	0~0.5kg
Height	11mm
Weight	77g

CAD 7MBM5



Characteristics:

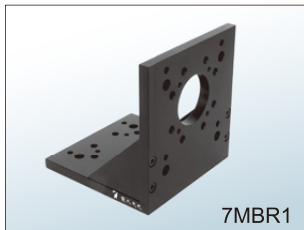
- Ultrathin, small and good appearance

RIGHT ANGLE BRACKETS

Characteristics:

- It is mainly used to assemble the translating stages into two or three dimensional orthogonal systems, and also can be used with other adjustment mounts to make orthogonal systems
- Two orthogonal surface precision machining to ensure verticality requirement
- Multiple mounting holes make strong versatility

7MBR1 Right Angle Bracket



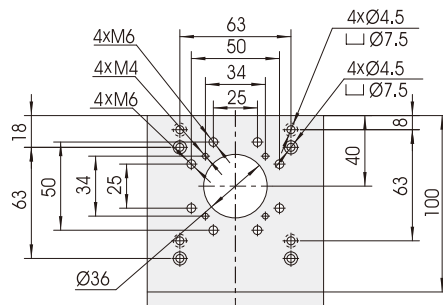
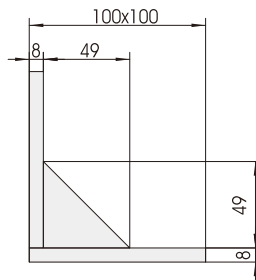
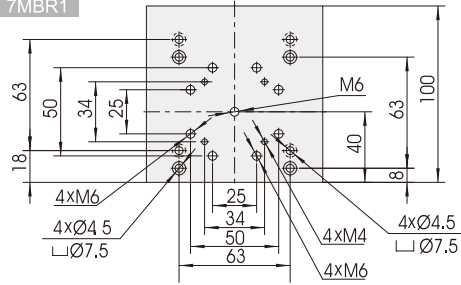
7MBR1

Weight 465g

Ancillary products:

- 7STM02125 translation stage
- 7STM02225 translation stage

CAD 7MBR1



- Solar Cell Performance Testing Department
- Photoconductive Testing Department
- Spectral Measurement Instrument
- Precision Positioning Systems
- Stages
- Opto-Mechanics
- Tables
- Optical Elements
- MIRROR MOUNTS
- ADJUSTABLE LENS HOLDERS
- LENS HOLDERS
- SELF-CENTERING LENS HOLDERS
- SPECIAL LENS HOLDER
- POLARIZER HOLDERS
- CYLINDRICAL LENS HOLDERS
- FILTER HOLDERS
- ADJUSTABLE PLATE HOLDER
- PRECISION PRISM MOUNTS
- BEAM STEERERS
- OPTIC ADAPTORS
- PRECISION LASER MOUNTS
- BASEPLATES
- MAGNETIC BASES
- RIGHT ANGLE BRACKETS
- BASE CLAMPS
- FINE ADJUSTMENT SCREWS
- MICROMETERS
- SCREW ADAPTORS
- SUPPORT POSTS
- POST LIMIT
- POST HOLDERS
- ROTATIONAL POST HOLDERS
- COURSE FINE ADJUSTMENT POST HOLDERS
- CROSS POST HOLDERS
- ROTATIONAL HOLDERS
- SUPPORT RODS
- ROD CLAMP
- SLIDING RAILS
- RAIL CARRIERS
- PRECISION FIBER COUPLERS
- PRECISION FIBER POSITIONING SYSTEM
- FIBER CLAMPING APPARATUS
- PRECISION SPATIAL FILTERS
- PINHOLES
- PINHOLE MOUNT
- IRIS DIAPHRAGMS
- IRIS DIAPHRAGM MOUNTS
- ADJUSTABLE SLITS
- ACCESSORIES



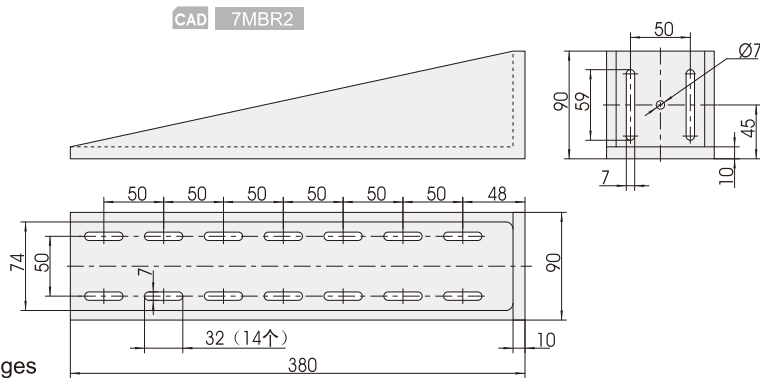
7MBR2 Right Angle Bracket



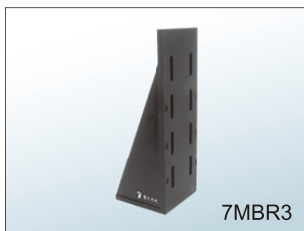
Weight	1657g
--------	-------

Ancillary product:

- 7STA series motorized translation stages



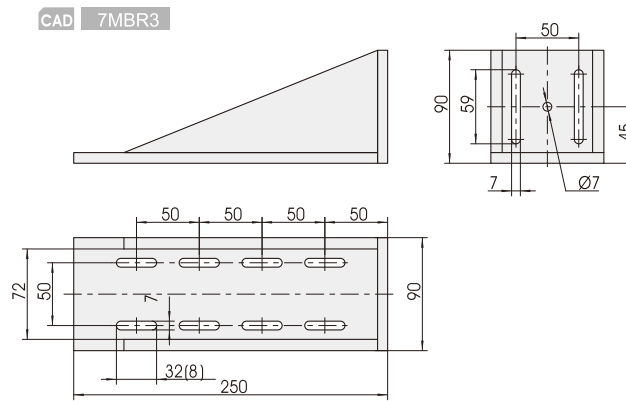
7MBR3 Right Angle Bracket



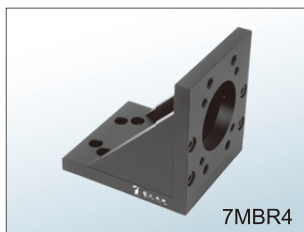
Weight	1006g
--------	-------

Ancillary product:

- 7STA series motorized translation stages



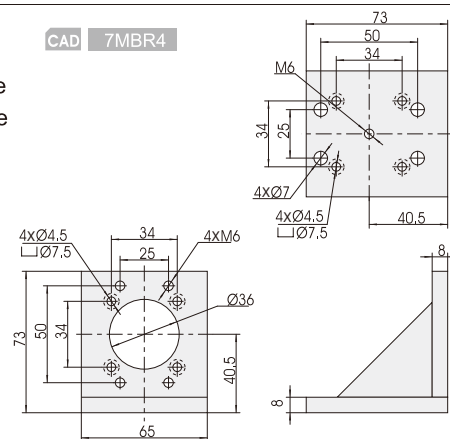
7MBR4 Right Angle Bracket



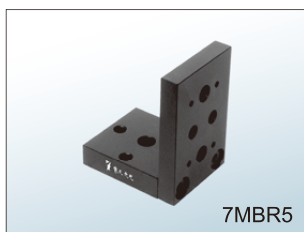
Weight	227g
--------	------

Ancillary products:

- 7STM01125 translation stage
- 7STM01225 translation stage



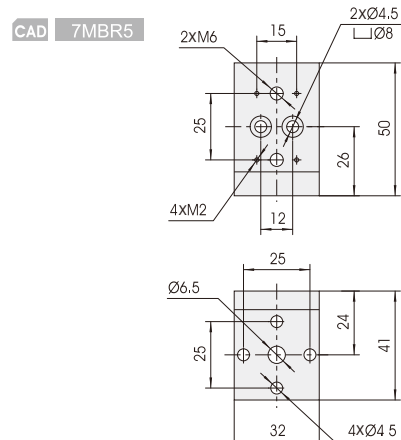
7MBR5 Right Angle Bracket



Weight	55g
--------	-----

Ancillary products:

- 7STM02113 translation stage
- 7STM02213 translation stage
- 7STM01113 translation stage
- 7STM01213 translation stage

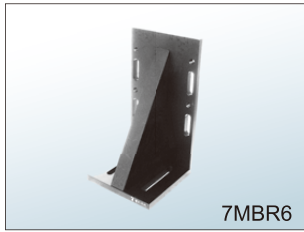


MIRROR MOUNTS

- ADJUSTABLE LENS HOLDERS
- LENS HOLDERS
- SELF-CENTERING LENS HOLDERS
- SPECIAL LENS HOLDER
- POLARIZER HOLDERS
- CYLINDRICAL LENS HOLDERS
- FILTER HOLDERS
- ADJUSTABLE PLATE HOLDER
- PRECISION PRISM HOLDERS
- BEAM STEERERS
- OPTIC ADAPTORS
- PRECISION LASER MOUNTS
- BASEPLATES
- MAGNETIC BASES
- RIGHT ANGLE BRACKETS
- BASE CLAMPS
- FINE ADJUSTMENT SCREWS
- MICROMETERS
- SCREW ADAPTORS
- SUPPORT POSTS
- POST LIMIT
- POST HOLDERS
- ROTATIONAL POST HOLDERS
- COARSE/FINE ADJUSTMENT POST HOLDERS
- CROSS POST HOLDERS
- ROTATIONAL HOLDERS
- SUPPORT RODS
- ROD CLAMP
- SLIDING RAILS
- RAIL CARRIERS
- PRECISION FIBER COUPLERS
- PRECISION FIBER POSITIONING SYSTEM
- FIBER CLAMPING APPARATUS
- PRECISION SPECTRAL FILTERS
- PINHOLES
- PIN-HOLE MOUNT
- IRIS DIAPHRAGMS
- IRIS DIAPHRAGM MOUNTS
- ADJUSTABLE SLITS
- ACCESSORIES



7MBR6 Right Angle Bracket



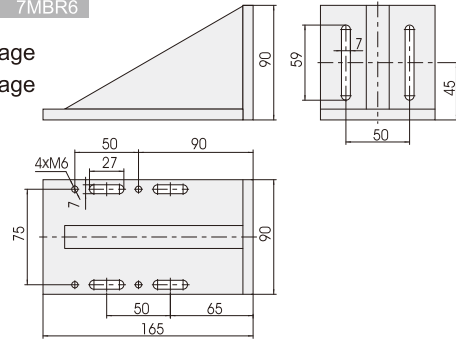
7MBR6

Weight	758g
--------	------

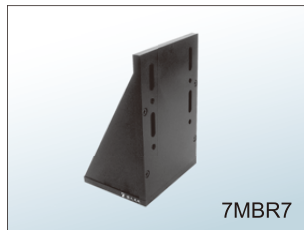
Ancillary products:

- 7STA1030 motorized translation stage
- 7STA1050 motorized translation stage

CAD 7MBR6



7MBR7 Right Angle Bracket



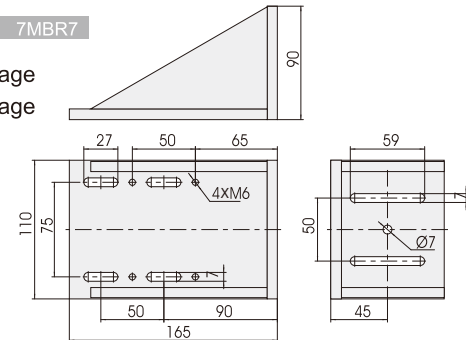
7MBR7

Weight	848g
--------	------

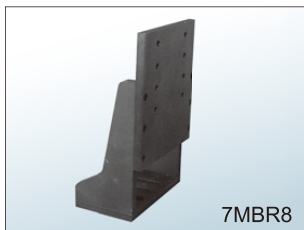
Ancillary products:

- 7STA1030 motorized translation stage
- 7STA1050 motorized translation stage

CAD 7MBR7



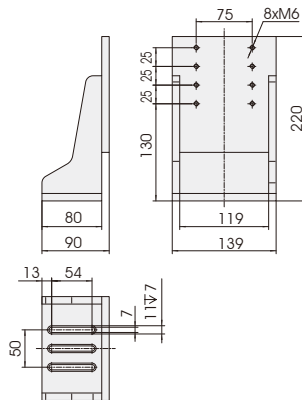
7MBR8 Right Angle Bracket



7MBR8

Weight	1211g
--------	-------

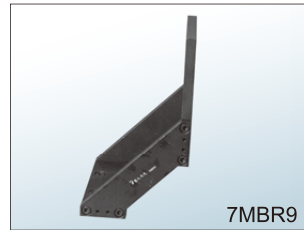
CAD 7MBR8



Ancillary products:

- 7STA1030 motorized translation stage
- 7STA1050 motorized translation stage

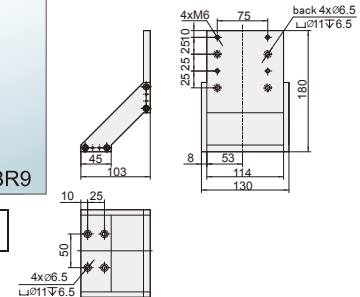
7MBR9 Right Angle Bracket



7MBR9

Weight	706g
--------	------

CAD 7MBR9



Characteristics:

- Designed for 7STA1030 in vertical use, make the lowest central light

Ancillary product:

- 7STA1030 motorized translation stage

BASE CLAMPS

7MC series base clamps can make the baseplates, post holders and adjustable mounts fixed at any place on the table without limits by the thread, more flexible to use.

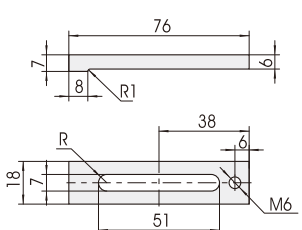
7MC1 Base Clamp



7MC1

Weight	17g
--------	-----

CAD 7MC1



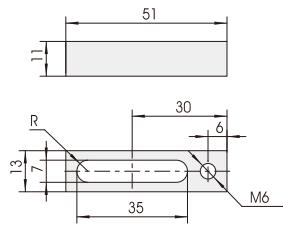
7MC2 Base Clamp



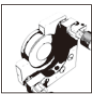
7MC2

Weight	12g
--------	-----

CAD 7MC2



- Solar Cell Performance Testing Department
- Photoconductive Testing Department
- Spectral Measurement Instrument
- Precision Positioning Systems
- Stages
- Opto-Mechanics
- Tables
- Optical Elements
- MIRROR MOUNTS
- ADJUSTABLE LENS HOLDERS
- LENS HOLDERS
- SELF-CENTERING LENS HOLDERS
- SPECIAL LENS HOLDER
- POLARIZER HOLDERS
- CYLINDRICAL LENS HOLDERS
- FILTER HOLDERS
- ADJUSTABLE PLATE HOLDER
- PRECISION PRISM MOUNTS
- BEAM STEERERS
- OPTIC ADAPTORS
- PRECISION LASER MOUNTS
- BASEPLATES
- MAGNETIC BASES
- RIGHT ANGLE BRACKETS
- BASE CLAMPS
- FINE ADJUSTMENT SCREWS
- MICROMETERS
- SCREW ADAPTORS
- SUPPORT POSTS
- POST LIMIT
- POST HOLDERS
- ROTATIONAL POST HOLDERS
- CORSE-FINE ADJUSTMENT POST HOLDERS
- CROSS POST HOLDERS
- ROTATIONAL HOLDERS
- SUPPORT RODS
- ROD CLAMP
- SLIDING RAILS
- RAIL CARRIERS
- PRECISION FIBER COUPLERS
- PRECISION FIBER POSITIONING SYSTEM
- FIBER CLAMPING APPARATUS
- PRECISION SPATIAL FILTERS
- FINHOLES
- FINHOLE MOUNT
- IRIS DIAPHRAGMS
- IRIS DIAPHRAGM MOUNTS
- ADJUSTABLE SLITS
- ACCESSORIES

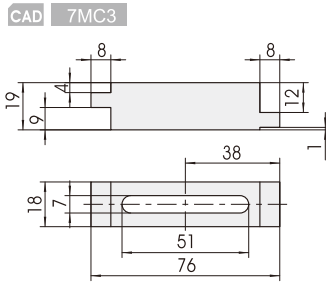


7MC3 Base Clamp



7MC3

Weight 43g

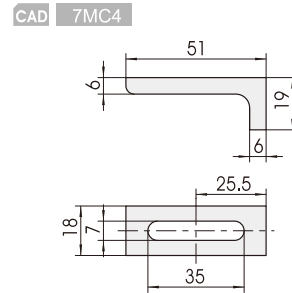


7MC4 Base Clamp



7MC4

Weight 15g

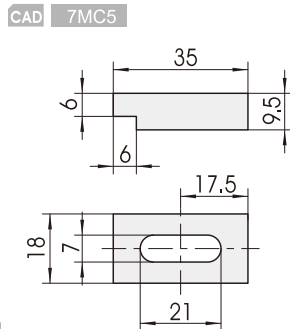


7MC5 Base Clamp



7MC5

Weight 12g

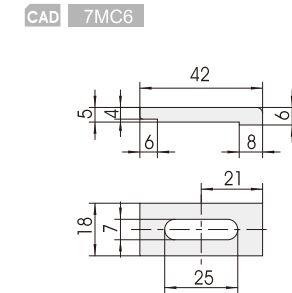


7MC6 Base Clamp



7MC6

Weight 8g



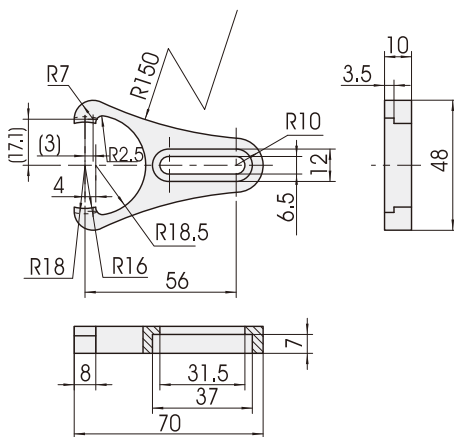
7MC7 Fork Clamp



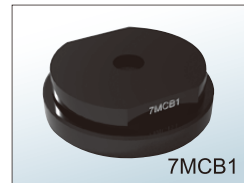
7MC7

Weight 27g

CAD 7MC7



7MCB1 Fork Clamp Mount



7MCB1

Weight 22g

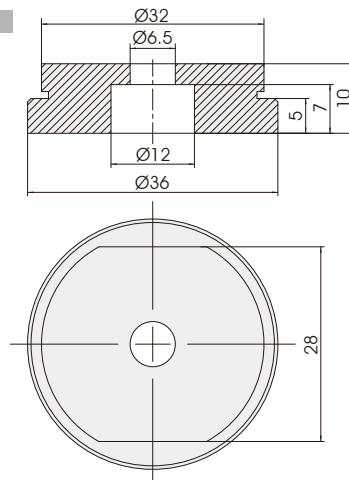
Characteristics:

- Use with 7MC7 fork clamp

Ancillary products:

- 7MC7 fork clamp
- 7MP series support posts
- 7MH series post holders (including 7MHR1 series rotary post holders & 7MHV series adjustable post holders)

CAD 7MCB1



MIRROR MOUNTS

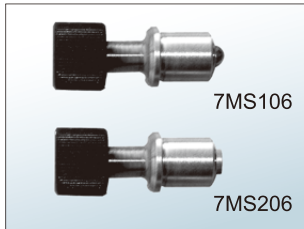
- ADJUSTABLE LENS HOLDERS
- LENS HOLDERS
- SELF-CENTERING LENS HOLDERS
- SPECIAL LENS HOLDER
- POLARIZER HOLDERS
- CYLINDRICAL LENS HOLDERS
- FILTER HOLDERS
- ADJUSTABLE PLATE HOLDER
- PRECISION PRISM MOUNTS
- BEAM STEERERS
- OPTIC ADAPTORS
- PRECISION LASER MOUNTS
- BASEPLATES
- MAGNETIC BASES
- RIGHT ANGLE BRACKETS
- BASE CLAMPS
- FINE ADJUSTMENT SCREWS
- MICROMETERS
- SCREW ADAPTORS
- SUPPORT POSTS
- POST LIMIT
- POST HOLDERS
- ROTATIONAL POST HOLDERS
- COARSE/FINE ADJUSTMENT POST HOLDERS
- ROTATIONAL HOLDERS
- SUPPORT RODS
- ROD CLAMP
- SLIDING RAILS
- RAIL CARRIERS
- PRECISION FIBER COOLERS
- PRECISION FIBER POSITIONING SYSTEM
- FIBER CLAMPING APPARATUS
- PRECISION SPECTRAL FILTERS
- PINHOLES
- PIN-HOLE MOUNT
- IRIS DIAPHRAGMS
- IRIS DIAPHRAGM MOUNTS
- ADJUSTABLE SLITS
- ACCESSORIES



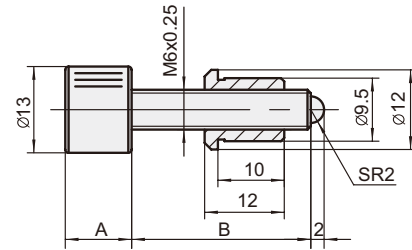
FINE ADJUSTMENT SCREWS

7MS series fine adjusting screws are made of stainless steel and with superfine M6×0.25 lapping thread (when screw rotates a circle, the axial displacement is only 0.25mm), sensitivity will be 0.001mm. When quantitative is not necessary, this series products can provide the regulating function which is higher precision than the ordinary micrometer. It is equipped with copper nut, which makes excellent wear resistance and also has the locking function, anti vibration and anti loose. It has the same mounting dimension to micrometer for interchange. And it is easy to use due to the two kinds of end and tail structure.

7MS1/7MS2 series Fine Screws



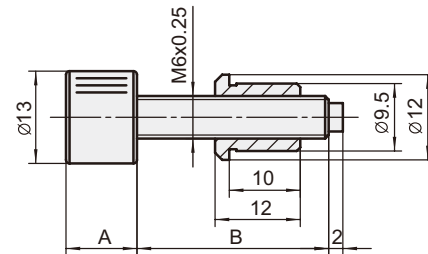
CAD 7MS1 series



Characteristics:

- Ball head on the end (7MS1 series), suitable for plane surface
- Flat head on the end (7MS2 series), suitable for spherical surface
- Hand wheel on the tail
- Standard nut without locking
- Standard mounting dimension, can be equipped to the mounts or transmission stages produced by SOFN or interchanged by micrometer

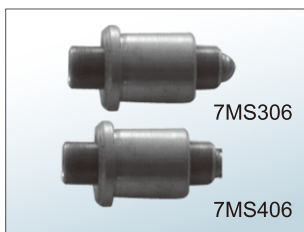
CAD 7MS2 series



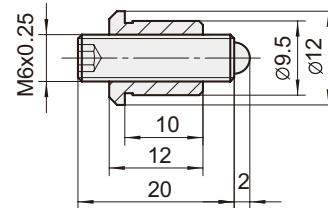
Specifications:

Model	Travel	A	B	Weight/g
7MS106 (7MS206)	6	10	20	14
7MS113 (7MS213)	13	10	27	15
7MS125 (7MS225)	25	20	39	22
7MS150 (7MS250)	50	20	64	27

7MS3 / 7MS4 series Fine Screws



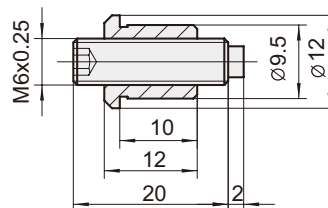
CAD 7MS306



Characteristics:

- Ball head on the end (7MS3 series), suitable for plane surface
- Flat head on the end (7MS4 series), suitable for spherical surface
- Without hand wheel on tail to save space, use the inner hexagon spanner to adjust
- Standard nut without locking
- Standard mounting dimension, can be equipped to the mounts or transmission stages produced by SOFN or interchanged by micrometer

CAD 7MS406



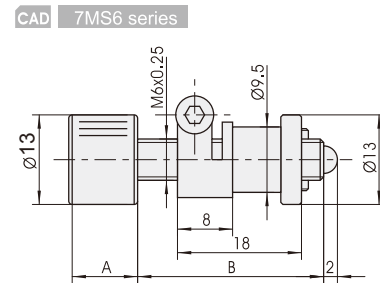
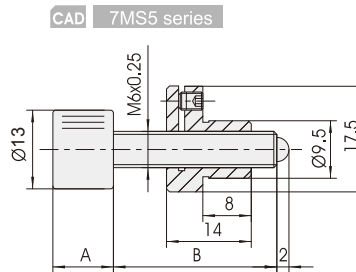
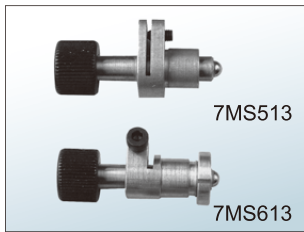
Specifications:

Model	Travel	Weight/g
7MS306 (7MS406)	6	9

- Solar Cell Performance Testing Department
- Photoconductive Testing Department
- Spectral Measurement Instrument
- Precision Positioning Systems
- Stages
- Opto-Mechanics
- Tables
- Optical Elements
- MIRROR MOUNTS
- ADJUSTABLE LENS HOLDERS
- LENS HOLDERS
- SELF-CENTERING LENS HOLDERS
- SPECIAL LENS HOLDER
- POLARIZER HOLDERS
- CYLINDRICAL LENS HOLDERS
- FILTER HOLDERS
- ADJUSTABLE PLATE HOLDER
- PRECISION PRISM MOUNTS
- BEAM STEERERS
- OPTIC ADAPTORS
- PRECISION LASER MOUNTS
- BASEPLATES
- MAGNETIC BASES
- RIGHT ANGLE BRACKETS
- BASE CLAMPS
- FINE ADJUSTMENT SCREWS
- MICROMETERS
- SCREW ADAPTORS
- SUPPORT POSTS
- POST LIMIT
- POST HOLDERS
- ROTATIONAL POST HOLDERS
- COURSE FINE ADJUSTMENT POST HOLDERS
- CROSS POST HOLDERS
- ROTATIONAL HOLDERS
- SUPPORT RODS
- ROD CLAMP
- SLIDING RAILS
- RAIL CARRIERS
- PRECISION FIBER COUPLERS
- PRECISION FIBER POSITIONING SYSTEM
- FIBER CLAMPING APPARATUS
- PRECISION SPATIAL FILTERS
- PINHOLES
- PIN HOLE MOUNT
- IRIS DIAPHRAGMS
- IRIS DIAPHRAGM MOUNTS
- ADJUSTABLE SLITS
- ACCESSORIES



7MS5 series Rxial Locking Screws & 7MS6 series Radial Locking Screws



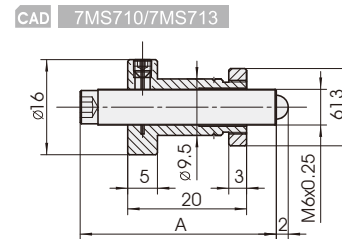
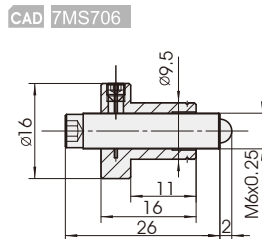
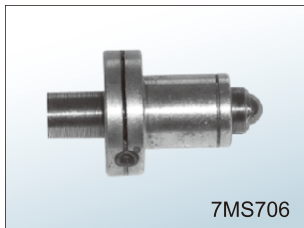
Characteristics:

- Ball head on the end, suitable for plane surface
- Hand wheel on the tail
- Open nut, axial locking (7MS5 series), saving space
- Open nut, radial locking (7MS6 series), saving space
- Standard mounting dimension, can be equipped to the mounts or transmission stages produced by SOFN or interchanged by micrometer

Specifications:

Model	Travel	A	B	Weight/g
7MS513 (7MS613)	13	10	27	25
7MS525 (7MS625)	25	20	39	32

7MS7 series Fine Screws



Characteristics:

- Ball head on the end, suitable for plane surface
- Without hand wheel on tail to save space, use the inner hexagon spanner to adjust
- Open nut, radial locking, saving space
- Standard mounting dimension, can be equipped to the mounts or transmission stages produced by SOFN or interchanged by micrometer

Specifications:

Model	Travel	A	Weight/g
7MS706	6	-	17
7MS710	10	33	21
7MS713	13	36	22

MICROMETERS

7MSM series of micrometers has been through the national metrological certification and provide accurate readings, and its rotation is comfortable with beautiful appearance and durable. It can be chosen for a quantitative measurement.

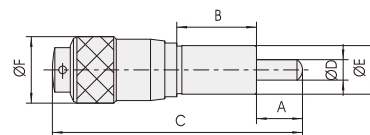
7MSM1/7MSM2 series Micrometers



Characteristics:

- Ball head on the end (7MSM1 series), suitable for plane surface
- Flat head on the end (7MSM2 series), suitable for spherical surface
- Standard mounting dimension, can be equipped to the mounts or transmission stages produced by SOFN or interchanged by fine adjustment screws

CAD 7MSM1/7MSM2 series



Specifications:

Model	Travel	Minimum graduation	Sensitivity	A		B	C	D	E	F	Weight/kg
				MIN	MAX						
7MSM106(7MSM206)	6	0.01	0.001	1	7.5	6	37.5	3.5	6	9.4	0.03
7MSM113(7MSM213)	13			4	17	9.5	58	5	9.5	13	
7MSM125(7MSM225)	25			5	30	16.5	101	6.5	11	18	

- MIRROR MOUNTS
- ADJUSTABLE LENS HOLDERS
- LENS HOLDERS
- SELF-CENTERING LENS HOLDERS
- SPECIAL LENS HOLDER
- POLARIZER HOLDERS
- CYLINDRICAL LENS HOLDERS
- FILTER HOLDERS
- ADJUSTABLE PLATE HOLDER
- PRECISION PRISM MOUNTS
- BEAM STEERERS
- OPTIC ADAPTORS
- PRECISION LASER MOUNTS
- BASE PLATES
- MAGNETIC BASES
- RIGHT ANGLE BRACKETS
- BASE CLAMPS
- FINE ADJUSTMENT SCREWS
- MICROMETERS**
- SCREW ADAPTORS
- SUPPORT POSTS
- POST LIMIT
- POST HOLDERS
- ROTATIONAL POST HOLDERS
- COARSE FINE ADJUSTMENT POST HOLDERS
- CROSS POST HOLDERS
- ROTATIONAL HOLDERS
- SUPPORT RODS
- ROD CLAMP
- SLIDING RAILS
- RAIL CARRIERS
- PRECISION FIBER COUPLERS
- PRECISION FIBER POSITIONING SYSTEM
- FIBER CLAMPING APPARATUS
- PRECISION SPECTRAL FILTERS
- PIN HOLES
- PIN HOLE MOUNT
- IRIS DIAPHRAGMS
- IRIS DIAPHRAGM MOUNTS
- ADJUSTABLE SLITS
- ACCESSORIES



Solar Cell Performance
Testing Department

Photovoltaic
Testing Department

Spectral Measurement
Instrument

Precision Positioning
Systems

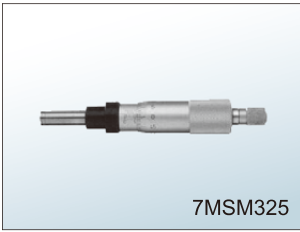
Stages

Opto-
Mechanics

Tables

Optical
Elements

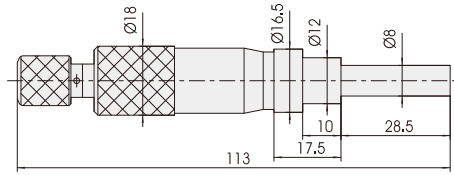
7MSM325 Straight Micrometer



Specifications:

Travel	25
Minimum graduation	0.01
Sensitivity	0.001
Weight/kg	0.03

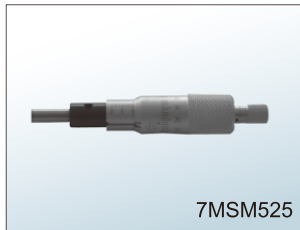
CAD 7MSM325



Characteristics:

- Drive rod goes straight without rotation, suitable for the adjustment without rotational force
- Specifications:

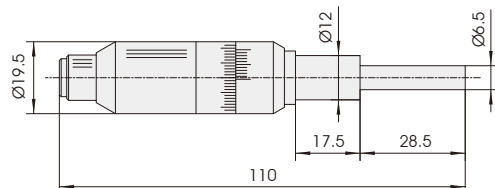
7MSM525 No-parallax Micrometer



Specifications:

Travel	25
Minimum graduation	0.001
Weight/kg	0.05

CAD 7MSM525



Characteristics:

- Graduations without parallax, high accuracy

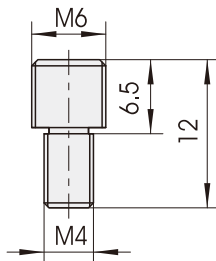
SCREW ADAPTORS

They are used for changing thread with different diameters, convenient and economical.

7MSA164 Screw Adaptor

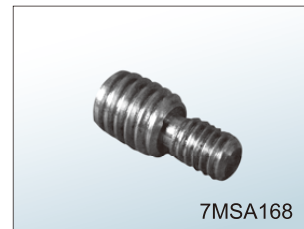


CAD 7MSA164

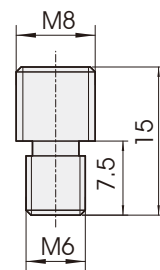


Weight	1.8g
--------	------

7MSA168 Screw Adaptor

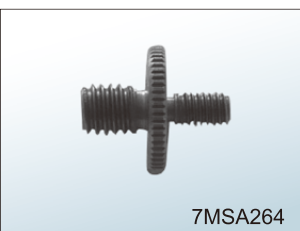


CAD 7MSA168

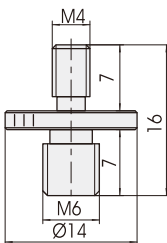


Weight	4.5g
--------	------

7MSA264 Screw Adaptor

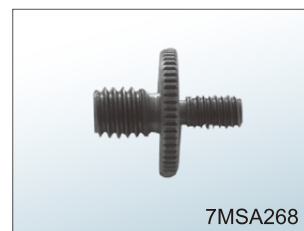


CAD 7MSA264

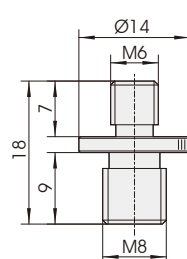


Weight	4.4g
--------	------

7MSA268 Screw Adaptor

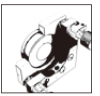


CAD 7MSA268

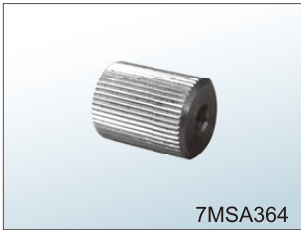


Weight	7g
--------	----

MIRROR MOUNTS
ADJUSTABLE LENS HOLDERS
LENS HOLDERS
SELF-CENTERING LENS HOLDERS
SPECIAL LENS HOLDER
POLARIZER HOLDERS
CYLINDRICAL LENS HOLDERS
FILTER HOLDERS
ADJUSTABLE PLATE HOLDER
PRECISION PRISM MOUNTS
BEAM STEERERS
OPTIC ADAPTORS
PRECISION LASER MOUNTS
BASEPLATES
MAGNETIC BASES
RIGHT ANGLE BRACKETS
BASE CLAMPS
FINE ADJUSTMENT SCREWS
MICROMETERS
SCREW ADAPTORS
SUPPORT POSTS
POST LIMIT
POST HOLDERS
ROTATIONAL POST HOLDERS
COARSE/FINE ADJUSTMENT POST HOLDERS
CROSS POST HOLDERS
ROTATIONAL HOLDERS
SUPPORT RODS
ROD CLAMP
SLIDING RAILS
RAIL CARRIERS
PRECISION FIBER COUPLERS
PRECISION FIBER POSITIONING SYSTEM
FIBER CLAMPING APPARATUS
PRECISION SPATIAL FILTERS
PINHOLES
PINHOLE MOUNT
IRIS DIAPHRAGMS
IRIS DIAPHRAGM MOUNTS
ADJUSTABLE SLITS
ACCESSORIES



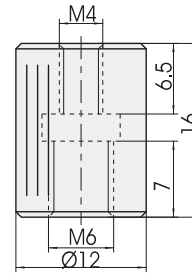
7MSA364 Nut Adaptor



7MSA364

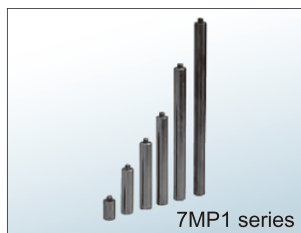
Weight	11.5g
--------	-------

CAD 7MSA364

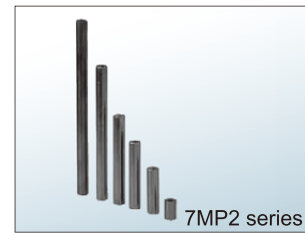


SUPPORT POSTS

7MP series Support Posts



7MP1 series



7MP2 series

Characteristics:

- Made of grinded stainless steel, high precision, good appearance
- A variety of specifications for different needs
- Combined with other mounts made by SOFN, also it is wide versatility
- Axially marking scales, intuitive and beautiful appearance.

Ancillary products:

- 7MHC series post adaptors
- 7MH1 series post holders
- 7MHR series rotational post holders
- 7MHV1 series adjustable post holders
- 7MB series baseplates
- 7MBM series magnetic bases

7MP1 series Support Posts

Specifications:

Model	7MP125	7MP150	7MP175	7MP1100	7MP1150	7MP1200	7MP1300
Diameter	12						
Thread	M6 external thread on one end, M6 internal thread on another						
Length L	25	50	75	100	150	200	300
Weight/g	20	42	64	86	130	175	264

CAD 7MP1 series

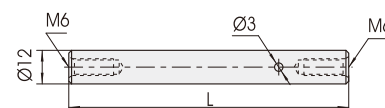


7MP2 series Support Posts

Specifications:

Model	7MP225	7MP250	7MP275	7MP2100	7MP2150	7MP2200	7MP2300
Diameter	12mm						
Thread	M6 internal thread on both ends						
Length L	25	50	75	100	150	200	300
Weight/g	20	42	64	86	130	175	264

CAD 7MP2 series



MIRROR MOUNTS

- ADJUSTABLE LENS HOLDERS
- LENS HOLDERS
- SELF-CENTERING LENS HOLDERS
- SPECIAL LENS HOLDER
- POLARIZER HOLDERS
- CYLINDRICAL LENS HOLDERS
- FILTER HOLDERS
- ADJUSTABLE PLATE HOLDER
- PRECISION PRISM MOUNTS
- BEAM STEERERS
- OPTIC ADAPTORS
- PRECISION LASER MOUNTS
- BASEPLATES
- MAGNETIC BASES
- RIGHT ANGLE BRACKETS
- BASE CLAMPS
- FINE ADJUSTMENT SCREWS
- MICROMETERS
- SCREW ADAPTORS

SUPPORT POSTS

- POST LIMIT
- POST HOLDERS
- ROTATIONAL POST HOLDERS
- COARSE/FINE ADJUSTMENT POST HOLDERS
- CROSS POST HOLDERS
- ROTATIONAL HOLDERS
- SUPPORT RODS
- ROD CLAMP
- SLIDING RAILS
- RAIL CLAMPERS
- PRECISION FIBER COOLERS
- PRECISION FIBER POSITIONING SYSTEM
- FIBER CLAMPING APPARATUS
- PRECISION SPECTRAL FILTERS
- PINHOLES
- PIN-HOLE MOUNT
- IRIS DIAPHRAGMS
- IRIS DIAPHRAGM MOUNTS
- ADJUSTABLE SLITS
- ACCESSORIES



Solar Cell Performance
Testing Department

Photovoltaic
Testing Department

Spectral Measurement
Instrument

Precision Positioning
Systems

Stages

Opto-
Mechanics

Tables

Optical
Elements

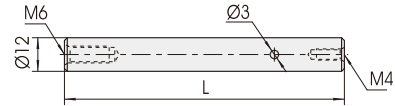
- MIRROR MOUNTS
- ADJUSTABLE LENS HOLDERS
- LENS HOLDERS
- SELF-CENTERING LENS HOLDERS
- SPECIAL LENS HOLDER
- POLARIZER HOLDERS
- CYLINDRICAL LENS HOLDERS
- FILTER HOLDERS
- ADJUSTABLE PLATE HOLDER
- PRECISION PRISM MOUNTS
- BEAM STEERERS
- OPTIC ADAPTORS
- PRECISION LASER MOUNTS
- BASEPLATES
- MAGNETIC BASES
- RIGHT ANGLE BRACKETS
- BASE CLAMPS
- FINE ADJUSTMENT SCREWS
- MICROMETERS
- SCREW ADAPTORS
- SUPPORT POSTS**
- POST LIMIT
- POST HOLDERS
- ROTATIONAL POST HOLDERS
- COARSE/FINE ADJUSTMENT POST HOLDERS
- CROSS POST HOLDERS
- ROTATIONAL HOLDERS
- SUPPORT RODS
- ROD CLAMP
- SLIDING RAILS
- RAIL CARRIERS
- PRECISION FIBER COUPLERS
- PRECISION FIBER POSITIONING SYSTEM
- FIBER CLAMPING APPARATUS
- PRECISION SPATIAL FILTERS
- FINHOLES
- FINHOLE MOUNT
- IRIS DIAPHRAGMS
- IRIS DIAPHRAGM MOUNTS
- ADJUSTABLE SLITS
- ACCESSORIES

7MP3 series Support Posts

Specifications:

Model	7MP325	7MP350	7MP375	7MP3100	7MP3150	7MP3200	7MP3300
Diameter	12						
Thread	M4 internal thread on one end, M6 internal thread on another						
Length L	25	50	75	100	150	200	300
Weight/g	20	42	64	86	130	175	264

CAD 7MP3 series

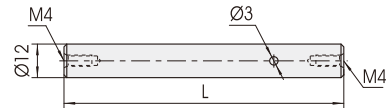


7MP4 series Support Posts

Specifications:

Model	7MP425	7MP450	7MP475	7MP4100	7MP4150	7MP4200	7MP4300
Diameter	12						
Thread	M4 internal thread on both ends						
Length L	25	50	75	100	150	200	300
Weight/g	20	42	64	86	130	175	264

CAD 7MP4 series

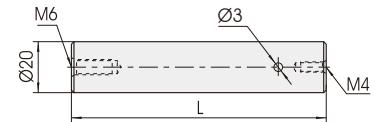


7MP5 series Support Posts

Specifications:

Model	7MP550	7MP5100	7MP5150	7MP5200
Diameter	20			
Thread	M6 internal thread on one end, M4 internal thread on another			
Length L	50	100	150	200
Weight/g	119	243	366	489

CAD 7MP5 series



Ancillary products:

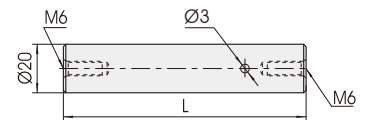
- 7MHC3 series universal post adaptors
- 7MBM series magnetic bases
- 7MB series baseplates

7MP6 series Support Posts

Specifications:

Model	7MP650	7MP6100	7MP6150	7MP6200
Diameter	20			
Thread	M6 internal thread on both ends			
Length L	50	100	150	200
Weight/g	119	243	366	489

CAD 7MP6 series



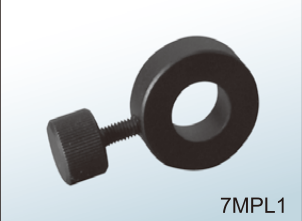
Ancillary products:

- 7MHC3 series universal rod rack
- 7MBM series magnetic base
- 7MB series baseplate



POST LIMIT

7MPL1 Post Limit



7MPL1

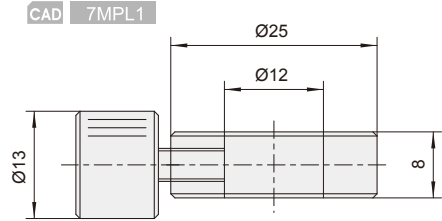
Weight	12g
--------	-----

Characteristics:

- Combined with 7MP series support posts to repositioning conveniently

Ancillary product:

- 7MP series support posts



POST HOLDERS

7MH1 series Post Holders



7MH1 series

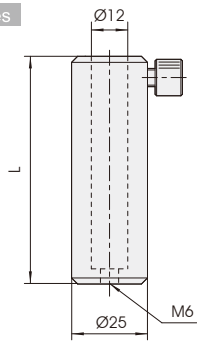
Characteristics:

- For fixing 7MP1~7MP4 series support posts at different height
- V-shape slot by the center hole makes no positioning change during adjusting and stable clamping
- M6 screw hole on bottom is convenience for connecting with other opto-mechanics

Ancillary products:

- 7MP1~7MP4 series support posts
- 7MBM series magnetic bases

CAD 7MH1 series



Specifications:

Model	7MH125	7MH150	7MH175	7MH1100	7MH1150
Diameter of center hole	12				
Height L	25	50	75	100	150
Weight/g	30	55	80	100	150

7MH2 series Post Holders

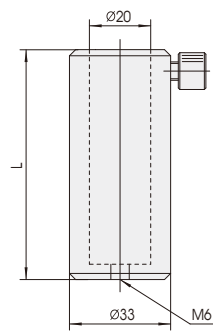


7MH2 series

Characteristics:

- For fixing 7MP5/7MP6 series support posts at different height
- V-shape slot by the center hole makes no positioning change during adjusting and stable clamping
- M6 screw hole on bottom is convenience for connecting with other opto-mechanics

CAD 7MH2 series



Specifications:

Model	7MH225	7MH250	7MH275	7MH2100	7MH2150
Diameter of center hole	20				
Height L	25	50	75	100	150
Weight/g	47	83	117	149	217

Ancillary products:

- 7MP5/7MP6 series support posts
- 7MBM series magnetic base

- Solar Cell Performance Testing Department
- Photoconductive Testing Department
- Special Measurement Instrument
- Precision Positioning Systems
- Stages
- Opto-Mechanics
- Tables
- Optical Elements

- MIRROR MOUNTS
- ADJUSTABLE LENS HOLDERS
- LENS HOLDERS
- SELF-CENTERING LENS HOLDERS
- SPECIAL LENS HOLDER
- POLARIZER HOLDERS
- CYLINDRICAL LENS HOLDERS
- FILTER HOLDERS
- ADJUSTABLE PLATE HOLDER
- PRECISION PRISM MOUNTS
- BEAM STEERERS
- OPTIC ADAPTORS
- PRECISION LASER MOUNTS
- BASEPLATES
- MAGNETIC BASES
- RIGHT ANGLE BRACKETS
- BASE CLAMPS
- FINE ADJUSTMENT SCREWS
- MICROMETERS
- SCREW ADAPTORS
- SUPPORT POSTS
- POST LIMIT**
- POST HOLDERS**
- ROTATIONAL POST HOLDERS
- COARSE/FINE ADJUSTMENT POST HOLDERS
- CROSS POST HOLDERS
- ROTATIONAL HOLDERS
- SUPPORT RODS
- ROD CLAMP
- SLIDING RAILS
- RAIL CARRIERS
- PRECISION FIBER COUPLERS
- PRECISION FIBER POSITIONING SYSTEM
- FIBER CLAMPING APPARATUS
- PRECISION SPECTRAL FILTERS
- PINHOLES
- PIN-OLE MOUNT
- IRIS DIAPHRAGMS
- IRIS DIAPHRAGM MOUNTS
- ADJUSTABLE SLITS
- ACCESSORIES



ROTATIONAL POST HOLDERS

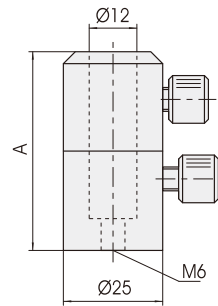
7MHR1 series Rotational Post Clamps



Specifications:

CAD 7MHR1 series

Model	7MHR150	7MHR176	7MHR1102
Diameter of center hole	Φ 12		
Height A	50	76	102
Weight/g	58g	85	112



Characteristics:

- Make support post rotate in 360° without changing other position parameters
- Using precision bearing for rotating, comfortably with high precision
- For fixing 7MP1~7MP4 series support posts at different height
- V-shape slot by the center hole makes no positioning change during adjusting and stable clamping
- Both the support post and the rotating part can be stably clamped
- M6 screw hole on bottom is convenience for connecting with other opto-mechanics

Ancillary products:

- 7MP series support posts
- 7MBM series magnetic bases

COARSE-FINE ADJUSTMENT POST HOLDERS

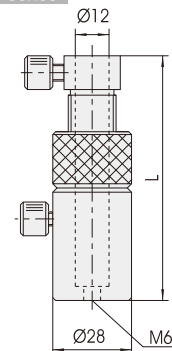
7MHV1 series Lifting Post Holders



Specifications:

CAD 7MHV1 series

Model	7MHV115	7MHV125
Height range L	72~87	95~120
Adjustment range	15	25
Diameter of center hole	12	
Weight/g	96	126



Characteristics:

- Adjusting the height of the post without changing the phase angle
- Fine processed thread for adjusting the height of post
- For fixing 7MP1~7MP4 series support posts at different height
- V-shape slot by the center hole makes no positioning change during adjusting and stable clamping
- Both the support post and the rotating part can be stably clamped
- M6 screw hole on bottom is convenience for connecting with other opto-mechanics

Ancillary products:

- 7MP series support posts
- 7MBM series magnetic bases

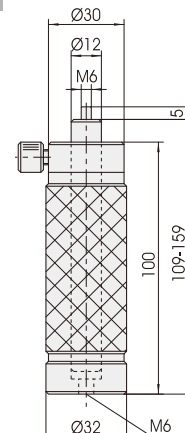
7MHV250 Lifting Post Holders



Specifications:

CAD 7MHV250

Adjustment range	50
Weight/g	252



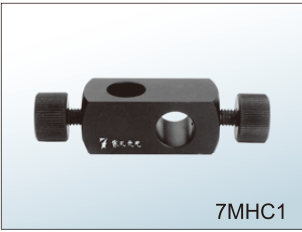
Characteristics:

- Adjusting the height of the post without changing the phase angle
- Fine processed thread for adjusting the height of post
- With 7MSA164 screw adaptor on the center top for variety uses
- M6 screw hole on bottom is convenience for connecting with other opto-mechanics



CROSS POST HOLDERS

7MHC1 Cross Post Holder



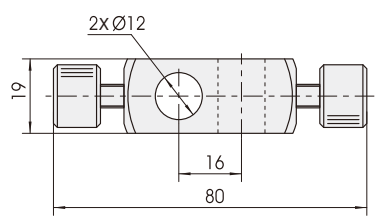
Specifications:

mounting hole	Two orthogonal holes, 12mm diameter
Weight/g	51

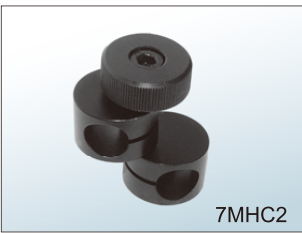
Ancillary product:

- 7MP series support posts

CAD 7MHC1



7MHC2 Cross Post Holder



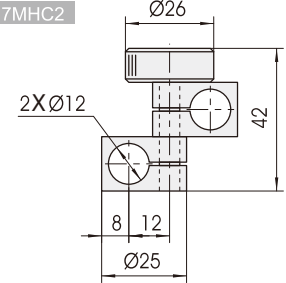
Specifications:

mounting hole	Two holes, 12mm diameter, can relative rotate in 360°
Weight/g	39

Ancillary product:

- 7MP series support posts

CAD 7MHC2



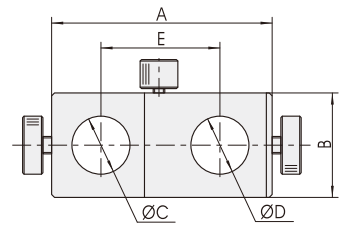
7MHC3 series Universal Post holders



Characteristics:

- Combine two support posts at any angle whether they have the same diameter or not
- Two support posts can rotate 360° relatively
- High precision processed shaft for rotation accurately and comfortably, the post distance is constant
- Firm locking by handwheel

CAD 7MHC3 series



Specifications:

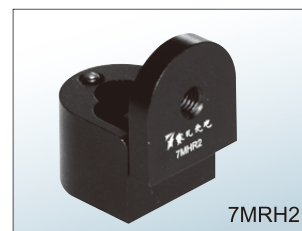
Model	A	B	Diameter C	Diameter D	E	Weight/g
7MHC3112	60	30	12	12	33	113
7MHC3212	77	36	20	12	44	183
7MHC3220	77	36	20	20	41	169

Ancillary product:

- 7MP series support posts

ROTATIONAL HOLDERS

7MRH2 Rotational Holder



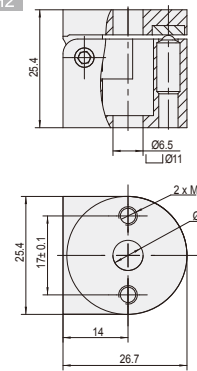
Characteristics:

- Make the post rolling-over 90°, equipped with a ball-headed locking screw and elastic supporting mechanism to eliminate clearance of the rotating shaft and make rolling-over comfortable, fast and precisely repositioning

Ancillary product:

- 7MPseries support posts
- 7MM series two-dimensional mirror mounts
- 7MMP series Polarizer Holders

CAD 7MRH2



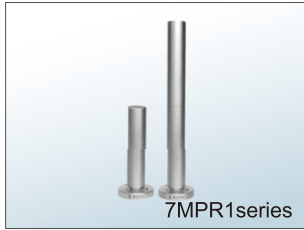
Weight	0.037kg
--------	---------

- Solar Cell Performance Testing Department
- Photoconductive Testing Department
- Special Measurement Instrument
- Precision Positioning Systems
- Stages
- Opto-Mechanics
- Tables
- Optical Elements
- MIRROR MOUNTS
- ADJUSTABLE LENS HOLDERS
- LENS HOLDERS
- SELF-CENTERING LENS HOLDERS
- SPECIAL LENS HOLDER
- POLARIZER HOLDERS
- CYLINDRICAL LENS HOLDERS
- FILTER HOLDERS
- ADJUSTABLE PLATE HOLDER
- PRECISION PRISM MOUNTS
- BEAM STEERERS
- OPTIC ADAPTORS
- PRECISION LASER MOUNTS
- BASEPLATES
- MAGNETIC BASES
- RIGHT ANGLE BRACKETS
- BASE CLAMPS
- FINE ADJUSTMENT SCREWS
- MICROMETERS
- SCREW ADAPTORS
- SUPPORT POSTS
- POST LIMIT
- POST HOLDERS
- ROTATIONAL POST HOLDERS
- COARSE FINE ADJUSTMENT POST HOLDERS
- CROSS POST HOLDERS
- ROTATIONAL HOLDERS
- SUPPORT RODS
- ROD CLAMP
- SLIDING RAILS
- RAIL CARRIERS
- PRECISION FIBER COUPLERS
- PRECISION FIBER POSITIONING SYSTEM
- FIBER CLAMPING APPARATUS
- PRECISION SPECTRAL FILTERS
- PIN HOLES
- PIN-HOLE MOUNT
- IRIS DIAPHRAGMS
- IRIS DIAPHRAGM MOUNTS
- ADJUSTABLE SLITS
- ACCESSORIES



SUPPORT RODS

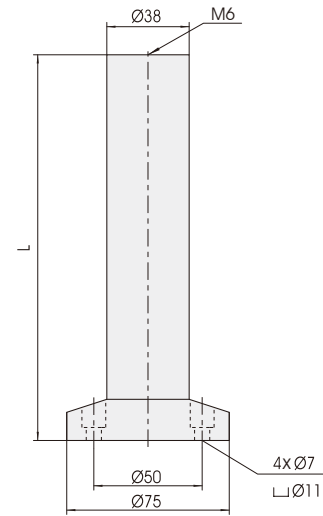
7MPR1 series Support Rods



Specifications:

Model	7MPR1178	7MPR1356
L	178	356
Weight/g	990	1450

CAD 7MPR1



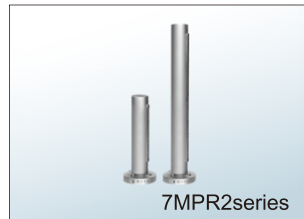
Characteristics:

- Thick diameter, good rigidity, big load
- Big length, continuous adjustment, large adjusting range
- Reasonable hard-weight ratio, good anti-vibration ability
- Used with 7MPC series rod clamps to support various devices
- Rod clamp can be rotate in 360° without limits
- Circular base can be disassembled, M6 screw hole at the bottom can be used to connect with baseplates

Ancillary products:

- 7MPC series rod clamps
- 7MBM series magnetic bases
- 7MB series baseplates

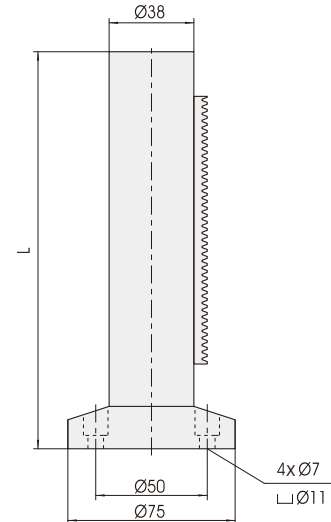
7MPR2 series Support Rods with Gear



Specifications:

Model	7MPR2178	7MPR2356
L	178	356
Weight/g	1020	1510

CAD 7MPR2 series



Characteristics:

- Thick diameter, good rigidity, big load
- Big length, continuous adjustment, large adjusting range
- Reasonable hard-weight ratio, good anti-vibration ability
- Used with 7MPC series rod clamps to support various devices
- Gear rack and pinion for comfortable adjustment with high precision
- Circular base can be disassembled, M6 screw hole at the bottom can be used to connect with baseplates

Ancillary products:

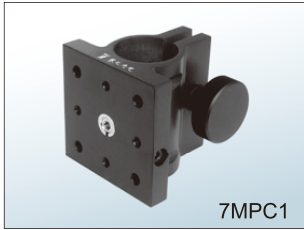
- 7MPC2 rod clamp with gear
- 7MBM series magnetic bases
- 7MB series baseplates

MIRROR MOUNTS
ADJUSTABLE LENS HOLDERS
LENS HOLDERS
SELF-CENTERING LENS HOLDERS
SPECIAL LENS HOLDERS
POLARIZER HOLDERS
CYLINDRICAL LENS HOLDERS
FILTER HOLDERS
ADJUSTABLE PLATE HOLDER
PRECISION PRISM MOUNTS
BEAM STEERERS
OPTIC ADAPTORS
PRECISION LASER MOUNTS
BASEPLATES
MAGNETIC BASES
RIGHT ANGLE BRACKETS
BASE CLAMPS
FINE ADJUSTMENT SCREWS
MICROMETERS
SCREW ADAPTORS
SUPPORT POSTS
POST LIMIT
POST HOLDERS
ROTATIONAL POST HOLDERS
COARSE-FINE ADJUSTMENT POST HOLDERS
CROSS POST HOLDERS
ROTATIONAL HOLDERS
SUPPORT RODS
ROD CLAMP
SLIDING RAILS
RAIL CARRIERS
PRECISION FIBER COUPLERS
PRECISION FIBER POSITIONING SYSTEM
FIBER CLAMPING APPARATUS
PRECISION SPATIAL FILTERS
PINHOLES
PINHOLE MOUNT
IRIS DIAPHRAGMS
IRIS DIAPHRAGM MOUNTS
ADJUSTABLE SLITS
ACCESSORIES



ROD CLAMP

7MPC1 Rod Clamp



7MPC1

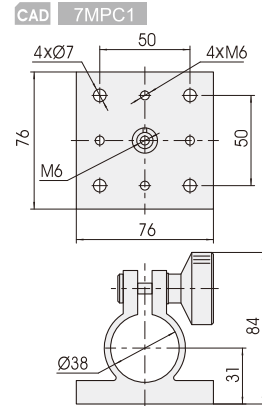
Weight	423g
--------	------

Ancillary product:

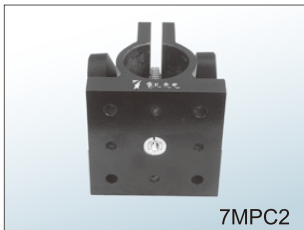
- 7MPR1 series support rods
- 7MPC4 five-surface rod clamp

Characteristics:

- Used together with 7MPR1 series support rods
- M6 screw holes and non-screw holes with standard pitch on the surface to fix other mounts conveniently
- M6 screw sleeve in the center can be disassembled for replacement operation conveniently
- Used together with 7MPC4 five-surface rod clamp for tilting adjustment
- The rod clamp can be firmly locked at any height by large hand wheel



7MPC2 Rod Clamp with Gear



7MPC2

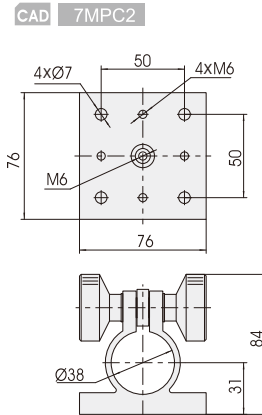
Weight	487g
--------	------

Ancillary product:

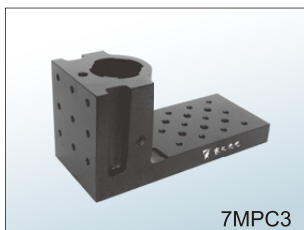
- 7MPR2 series support rods with gear
- 7MPC4 five-surface rod clamp

Characteristics:

- Used together 7MPR2 series support rods with gear, gear rack and pinion work comfortably with high precision
- M6 screw holes and non-screw holes with standard pitch on the surface to fix other mounts conveniently
- M6 screw sleeve in the center can be disassembled for replacement operation conveniently
- Used together with 7MPC4 five-surface rod clamp for tilt adjustment
- The rod clamp can be firmly locked at any height by large hand wheel



7MPC3 Right Angle Rod Clamp



7MPC3

Weight	1198g
--------	-------

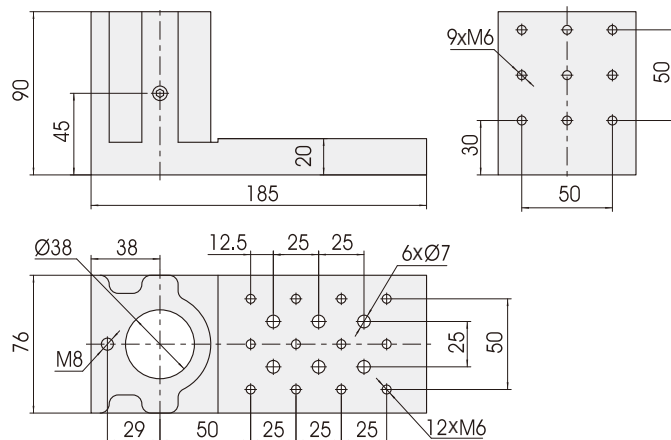
Characteristics:

- Used together with 7MPR1 series support rods
- Have vertical and horizontal mounting surfaces, easy to use

Ancillary product:

- 7MPR1 series support rods
- 7MPC5 rod clamp lifter

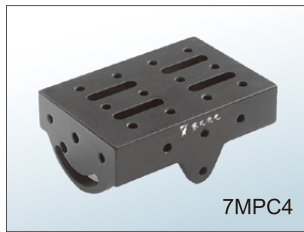
CAD 7MPC3



- MIRROR MOUNTS
- ADJUSTABLE LENS HOLDERS
- LENS HOLDERS
- SELF-CENTERING LENS HOLDERS
- SPECIAL LENS HOLDER
- POLARIZER HOLDERS
- CYLINDRICAL LENS HOLDERS
- FILTER HOLDERS
- ADJUSTABLE PLATE HOLDER
- PRECISION PRISM MOUNTS
- BEAM STEERERS
- OPTIC ADAPTORS
- PRECISION LASER MOUNTS
- BASEPLATES
- MAGNETIC BASES
- RIGHT ANGLE BRACKETS
- BASE CLAMPS
- FINE ADJUSTMENT SCREWS
- MICROMETERS
- SCREW ADAPTORS
- SUPPORT POSTS
- POST LIMIT
- POST HOLDERS
- ROTATIONAL POST HOLDERS
- COARSE FINE ADJUSTMENT POST HOLDERS
- CROSS POST HOLDERS
- ROTATIONAL HOLDERS
- SUPPORT RODS
- ROD CLAMP**
- SLIDING RAILS
- RAIL CARRIERS
- PRECISION FIBER COUPLERS
- PRECISION FIBER POSITIONING SYSTEM
- FIBER CLAMPING APPARATUS
- PRECISION SPECTRAL FILTERS
- PINHOLES
- PIN-HOLE MOUNT
- IRIS DIAPHRAGMS
- IRIS DIAPHRAGM MOUNTS
- ADJUSTABLE SLITS
- ACCESSORIES



7MPC4 Five-surface Rod Clamp



7MPC4

Weight	250g
--------	------

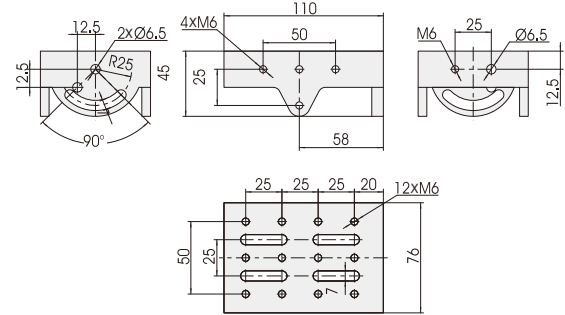
Characteristics:

- Five mounting surfaces, used with rod clamps for tilt adjustment

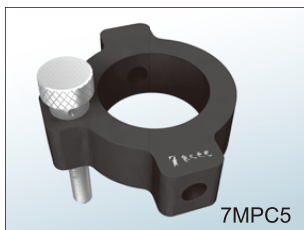
Ancillary products:

- 7MPC1 rod clamp
- 7MPC2 rod clamp with gear

CAD 7MPC4



7MPC5 Rod Clamp Lifter



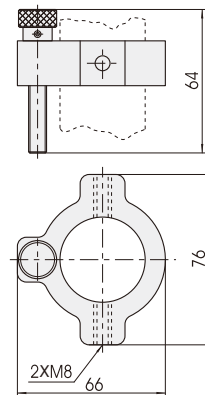
7MPC5

Weight	137g
--------	------

Characteristics:

- Used with 7MPC3 right angle rod clamp for fine lifting

CAD 7MPC5

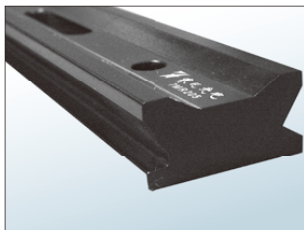


SLIDING RAILS

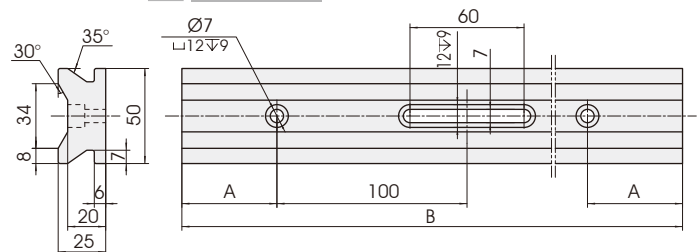
7MR2 series Sliding Rails



7MR205



CAD 7MR2 series



Characteristics:

- Integrate adjustable mounts to coaxial optical system
- Made of high quality aluminum alloy with special surface treatment, beautiful and durable, light in weight, and convenient to transport
- Dovetail rail accurately matches with 7MRC series rail carriers which can be locked firmly
- With scale to clearly express the distance between carriers

Ancillary product:

- 7MRC2 series rail carriers

Specifications:

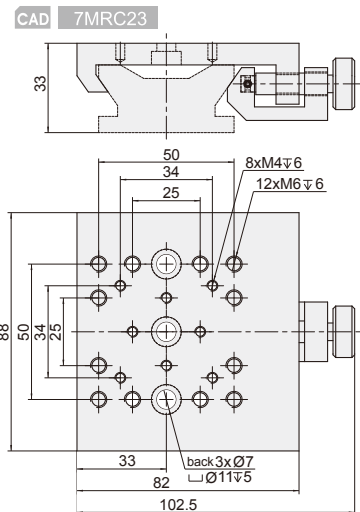
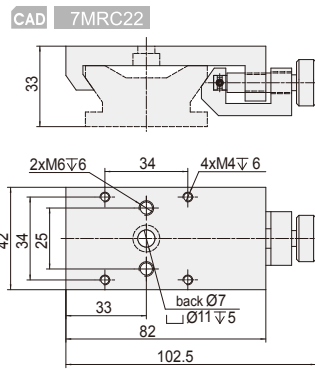
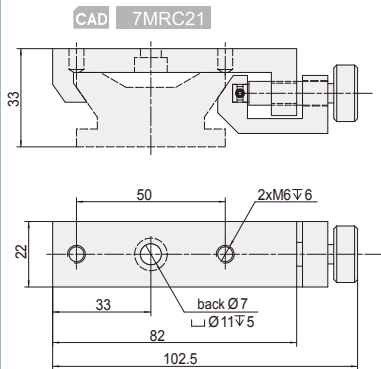
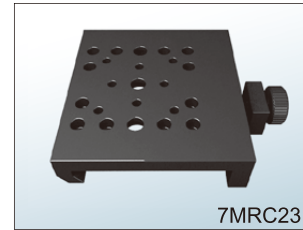
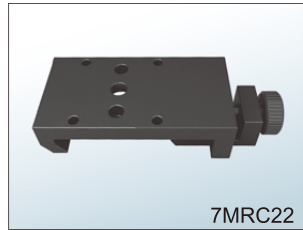
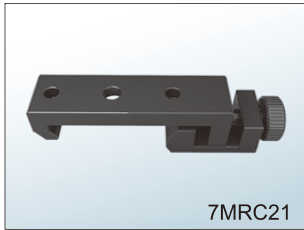
Model	7MR203	7MR205	7MR210	7MR215	7MR220
A	50	50	100	50	100
B	300	500	1000	1500	2000
Weight/g	783	1295	2622	3855	5172

- MIRROR MOUNTS
- ADJUSTABLE LENS HOLDERS
- LENS HOLDERS
- SELF-CENTERING LENS HOLDERS
- SPECIAL LENS HOLDERS
- POLARIZER HOLDERS
- CYLINDRICAL LENS HOLDERS
- FILTER HOLDERS
- ADJUSTABLE PLATE HOLDER
- PRECISION PRISM MOUNTS
- BEAM STEERERS
- OPTIC ADAPTORS
- PRECISION LASER MOUNTS
- BASEPLATES
- MAGNETIC BASES
- RIGHT ANGLE BRACKETS
- BASE CLAMPS
- FINE ADJUSTMENT SCREWS
- MICROMETERS
- SCREW ADAPTORS
- SUPPORT POSTS
- POST LIMIT
- POST HOLDERS
- ROTATIONAL POST HOLDERS
- COURSE FINE ADJUSTMENT POST HOLDERS
- CROSS POST HOLDERS
- ROTATIONAL HOLDERS
- SUPPORT RODS
- ROD CLAMP
- SLIDING RAILS**
- RAIL CARRIERS
- PRECISION FIBER COUPLERS
- PRECISION FIBER POSITIONING SYSTEM
- FIBER CLAMPING APPARATUS
- PRECISION SPATIAL FILTERS
- FINHOLES
- FINHOLE INCLANT
- IRIS DIAPHRAGMS
- IRIS DIAPHRAGMS MOUNTS
- ADJUSTABLE SLITS
- ACCESSORIES



RAIL CARRIERS

7MRC2 Rail Carriers



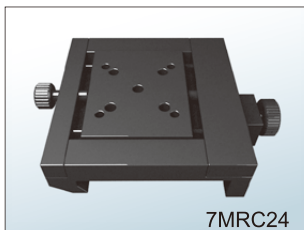
Characteristics:

- Used with 7MR2 series sliding rails to make coaxial optical system.
- Rigid locking handwheel with plastic head, firm locking without hurting rails
- Multiple mounting holes with standard pitch, strong applicability

Specifications:

Model	7MRC21	7MRC22	7MRC23
Weight/g	80	130	230

7MRC24 Rail Carrier



Characteristics:

- Support for 7MR2 series sliding rails
- Multi supports can be used simultaneously
- With adjustable nut to adjust height and horizontal

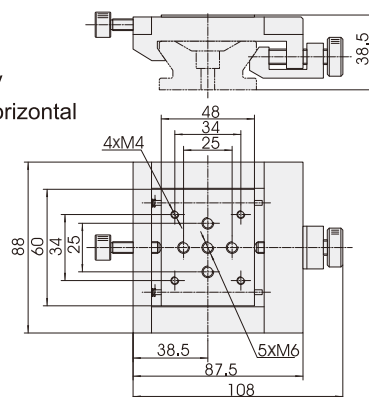
Specifications:

Range of fine adjustment	±5
Weight	360g

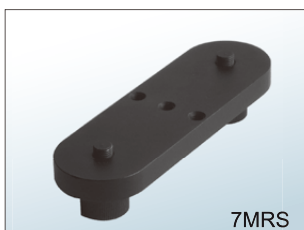
Ancillary product:

- 7MR2 series sliding rails

CAD 7MRC24



7MRS Rail Support



Characteristics:

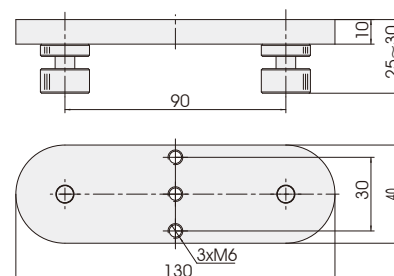
- Support for 7MR2 series sliding rails
- Multi supports can be used simultaneously
- With adjustable nut to adjust height and horizontal

Weight	160g
--------	------

Ancillary product:

- 7MR2 series sliding rails

CAD 7MRS



MIRROR MOUNTS

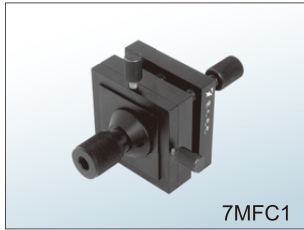
- ADJUSTABLE LENS HOLDERS
- LENS HOLDERS
- SELF-CENTERING LENS HOLDERS
- SPECIAL LENS HOLDER
- POLARIZER HOLDERS
- CYLINDRICAL LENS HOLDERS
- FILTER HOLDERS
- ADJUSTABLE PLATE HOLDER
- PRECISION PRISM MOUNTS
- BEAM STEERERS
- OPTIC ADAPTORS
- PRECISION LASER MOUNTS
- BASEPLATES
- MAGNETIC BASES
- RIGHT ANGLE BRACKETS
- BASE CLAMPS
- FINE ADJUSTMENT SCREWS
- MICROMETERS
- SCREW ADAPTORS
- SUPPORT POSTS
- POST LIMIT
- POST HOLDERS
- ROTATIONAL POST HOLDERS
- COARSE/FINE ADJUSTMENT POST HOLDERS
- CROSS POST HOLDERS
- ROTATIONAL HOLDERS
- SUPPORT RODS
- ROD CLAMP
- SLIDING RAILS
- RAIL CARRIERS
- PRECISION FIBER COOLERS
- PRECISION FIBER POSITIONING SYSTEM
- FIBER CLAMPING APPARATUS
- PRECISION SPIRAL FILTERS
- PINHOLES
- PIN-HOLE MOUNT
- IRIS DIAPHRAGMS
- IRIS DIAPHRAGM MOUNTS
- ADJUSTABLE SLITS
- ACCESSORIES



PRECISION FIBER COUPLERS

During the research and production of fiber and related devices, coupling is a necessary and tedious work. 7MFC series fiber coupler can provide five-dimensional adjustment with high-speed and accuracy to obtain the best effect.

7MFC1 Fiber Coupler



7MFC1

Specifications:

Axial travel Tx	6
Vertically travel at Y direction Ty	± 2
Vertically travel at Z direction Tz	± 2
Tilt adjustable range around Y axis $\theta_y / ^\circ$	± 4
Tilt adjustable range around Z axis $\theta_z / ^\circ$	± 4
Weight/g	246

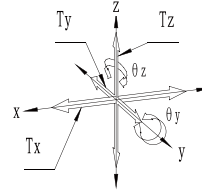
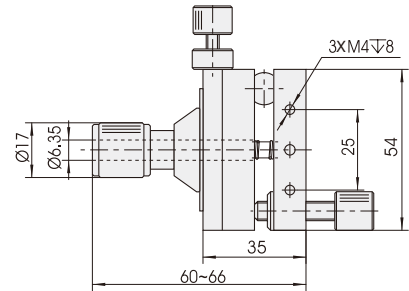
Characteristics:

- Provide three-dimensional translation and two-dimensional tilt adjustments
- Integrally closed design, compact structure
- Adjusted by fine thread, high precision

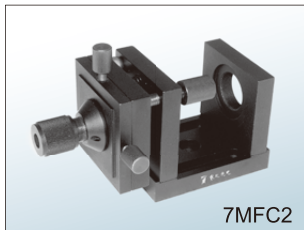
Ancillary products:

- 7MFH1 fiber clamp
- 7MFH2 fiber clamp

CAD 7MFC1



7MFC2 Fiber Coupler



7MFC2

Ancillary products:

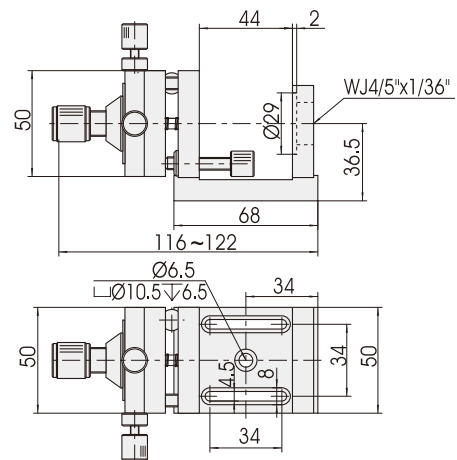
- 7MFH1 fiber clamp
- 7MFH2 fiber clamp
- 700 series microobjectives

Characteristics:

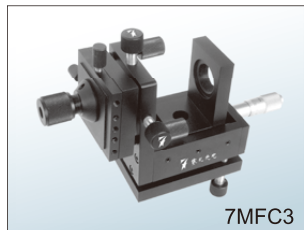
- Increase a microobjective holder on the basis of 7MFC1 fiber coupler, convenient to couple beam into fiber by microobjective
- Mounting holes on baseplate are used to connect with other adjustable racks

Weight 386g

CAD 7MFC2



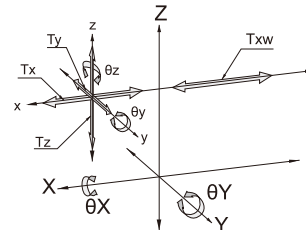
7MFC3 Fiber Coupler



7MFC3

Characteristics:

- Based on 7MFC2 fiber coupler, the increased micrometer makes microobjective movable and then makes the Tx range bigger and quantitative
- Precision linear ball guide makes stable movement and high precision
- Increased biaxial inclination adjustable function, more convenient for coupling with the beam



- Solar Cell Performance Testing Department
- Photoconductive Testing Department
- Spectral Measurement Instrument
- Precision Positioning Systems
- Stages
- Opto-Mechanics
- Tables
- Optical Elements
- MIRROR MOUNTS
- ADJUSTABLE LENS HOLDERS
- LENS HOLDERS
- SELF-CENTERING LENS HOLDERS
- SPECIAL LENS HOLDERS
- POLARIZER HOLDERS
- CYLINDRICAL LENS HOLDERS
- FILTER HOLDERS
- ADJUSTABLE PLATE HOLDER
- PRECISION PRISM MOUNTS
- BEAM STEERERS
- OPTIC ADAPTORS
- PRECISION LASER MOUNTS
- BASEPLATES
- MAGNETIC BASES
- RIGHT ANGLE BRACKETS
- BASE CLAMPS
- FINE ADJUSTMENT SCREWS
- MICROMETERS
- SCREW ADAPTORS
- SUPPORT POSTS
- POST LIMIT
- POST HOLDERS
- ROTATIONAL POST HOLDERS
- COURSE-FINE ADJUSTMENT POST HOLDERS
- CROSS POST HOLDERS
- ROTATIONAL HOLDERS
- SUPPORT RODS
- ROD CLAMP
- SLIDING RAILS
- RAIL CARRIERS
- PRECISION FIBER COUPLERS
- PRECISION FIBER POSITIONING SYSTEM
- FIBER CLAMPING APPARATUS
- PRECISION SPATIAL FILTERS
- PIVOTS
- PIVOT INCLINAT
- IRIS DIAPHRAGMS
- IRIS DIAPHRAGMS MOUNTS
- ADJUSTABLE SLITS
- ACCESSORIES



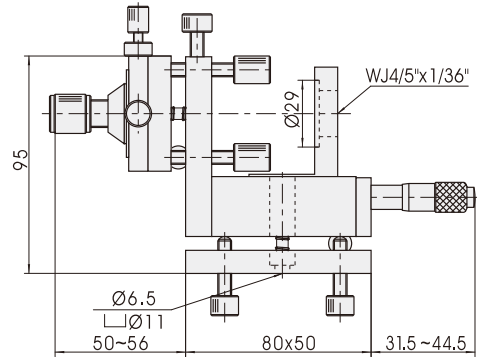
Specifications:

Adjustable range	T_x	6
	T_y	± 2
	T_z	± 2
	$\theta_y / ^\circ$	± 4
	$\theta_z / ^\circ$	± 4
Travel of microobjective	T_{xw}	13
Biaxial inclination range/ $^\circ$	θ_x, θ_y	± 4
Weight/g		768

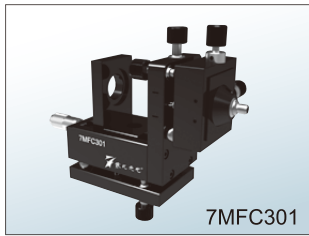
Ancillary products:

- 7MFH1 fiber clamp
- 7MFH2 fiber clamp
- 700 series microscope objectives

CAD 7MFC3



7MFC301 Fiber coupler



Characteristics:

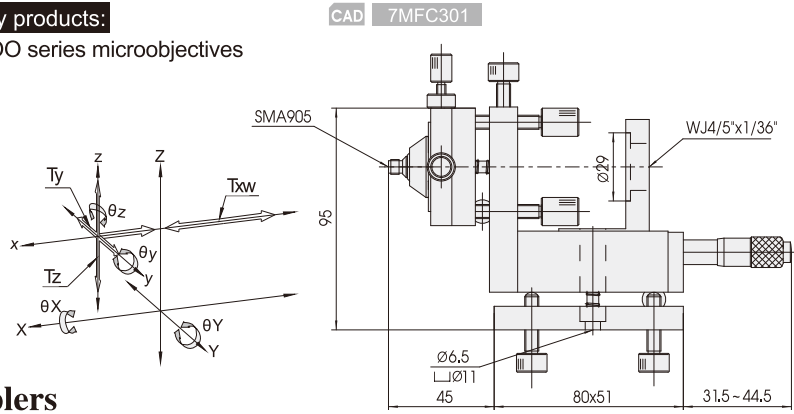
- Based on 7MFC3 fiber coupler, interchange with SMA905 plug and cancel the adjustment of X direction
- Micrometer makes microobjective movable and then makes the T_x range bigger and quantitative
- Precision linear ball guide makes stable movement and high precision
- Biaxial inclination adjustable function, more convenient for coupling with the beam

Ancillary products:

- 700 series microobjectives

Specifications:

Adjustable range	T_y	± 2
	T_z	± 2
	$\theta_y / ^\circ$	± 4
	$\theta_z / ^\circ$	± 4
Travel of microobjective	T_{xw}	13
Biaxial inclination range/ $^\circ$	θ_x, θ_y	± 4
Weight/g		755



7MFC4 series Fiber Couplers

This series provide ultra fine adjustment for the fiber in four dimensions. Because of subdivided structure, the resolution can reach $0.01 \mu m$ in T_y, T_z direction and 0.00001° in θ_y and θ_z angle adjustment, more fine and more accurate.

The modern series adopts general standard fiber adaptor, more convenient for connection. It can greatly improve coupling efficiency and reduce loss.

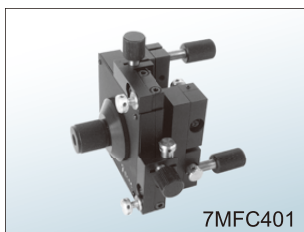
Characteristics:

- Subdivided structure for ultra precision adjustment
- Standard fiber plug and high coupling efficiency

Specifications:

Axial travel T_x	6
Vertical travel at Y direction T_y	± 2
Vertical travel at Z direction T_z	± 2
Resolution at vertical Y, Z direction/ μm	0.01
Tilt adjustable range around Y axis $\theta_y / ^\circ$	± 4
Tilt adjustable range around Z axis $\theta_z / ^\circ$	± 4
Tilt resolution around Y, Z axis / $^\circ$	0.00001
Weight/g	470

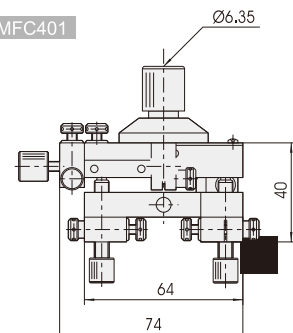
7MFC401 Fiber Coupler



Ancillary products:

- 7MFH1 fiber clamp
- 7MFH2 fiber clamp

CAD 7MFC401



- Solar Cell Performance Testing Department
- Photoconductive Testing Department
- Special Measurement Instrument
- Precision Positioning Systems
- Stages
- Opto-Mechanics
- Tables
- Optical Elements

- MIRROR MOUNTS
- ADJUSTABLE LENS HOLDERS
- LENS HOLDERS
- SELF-CENTERING LENS HOLDERS
- SPECIAL LENS HOLDER
- POLARIZER HOLDERS
- CYLINDRICAL LENS HOLDERS
- FILTER HOLDERS
- ADJUSTABLE PLATE HOLDER
- PRECISION PRISM MOUNTS
- BEAM STEERERS
- OPTIC ADAPTORS
- PRECISION LASER MOUNTS
- BASEPLATES
- MAGNETIC BASES
- RIGHT ANGLE BRACKETS
- BASE CLAMPS
- FINE ADJUSTMENT SCREWS
- MICROMETERS
- SCREW ADAPTORS
- SUPPORT POSTS
- POST LIMIT
- POST HOLDERS
- ROTATIONAL POST HOLDERS
- COARSE FINE ADJUSTMENT POST HOLDERS
- CROSS POST HOLDERS
- ROTATIONAL HOLDERS
- SUPPORT RODS
- ROD CLAMP
- SLIDING RAILS
- RAIL CARRIERS
- PRECISION FIBER COUPLERS
- PRECISION FIBER POSITIONING SYSTEM
- FIBER CLAMPING APPARATUS
- PRECISION SPECTRAL FILTERS
- PIN-HOLES
- PIN-HOLE MOUNT
- IRIS DIAPHRAGMS
- IRIS DIAPHRAGM MOUNTS
- ADJUSTABLE SLITS
- ACCESSORIES



Solar Cell Performance Testing Department

Photoconductive Testing Department

Spectral Measurement Instrument

Precision Positioning Systems

Stages

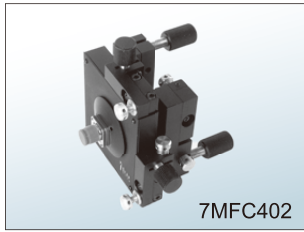
Opto-Mechanics

Tables

Optical Elements

- MIRROR MOUNTS
- ADJUSTABLE LENS HOLDERS
- LENS HOLDERS
- SELF-CENTERING LENS HOLDERS
- SPECIAL LENS HOLDER
- POLARIZER HOLDERS
- CYLINDRICAL LENS HOLDERS
- FILTER HOLDERS
- ADJUSTABLE PLATE HOLDER
- PRECISION PRISM MOUNTS
- BEAM STEERERS
- OPTIC ADAPTORS
- PRECISION LASER MOUNTS
- BASEPLATES
- MAGNETIC BASES
- RIGHT ANGLE BRACKETS
- BASE CLAMPS
- FINE ADJUSTMENT SCREWS
- MICROMETERS
- SCREW ADAPTORS
- SUPPORT POSTS
- POST LIMIT
- POST HOLDERS
- ROTATIONAL POST HOLDERS
- CORSE-FINE ADJUSTMENT POST HOLDERS
- CROSS POST HOLDERS
- ROTATIONAL HOLDERS
- SUPPORT RODS
- ROD CLAMP
- SLIDING PAILS
- RAIL CARRIERS
- PRECISION FIBER COUPLERS**
- PRECISION FIBER POSITIONING SYSTEM
- FIBER CLAMPING APPARATUS
- PRECISION SPATIAL FILTERS
- PINHOLES
- PIN-HOLE MOUNT
- IRIS DIAPHRAGMS
- IRIS DIAPHRAGM MOUNTS
- ADJUSTABLE SLITS
- ACCESSORIES

7MFC402 Fiber Coupler

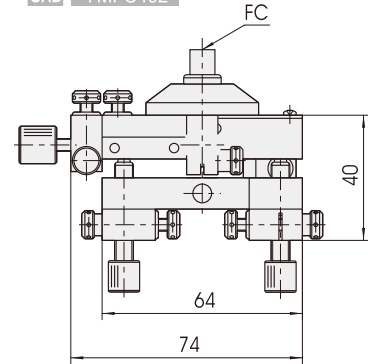


7MFC402

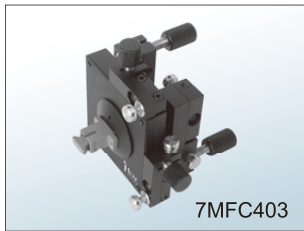
Ancillary product:

- FC plug fiber

CAD 7MFC402



7MFC403 Fiber Coupler

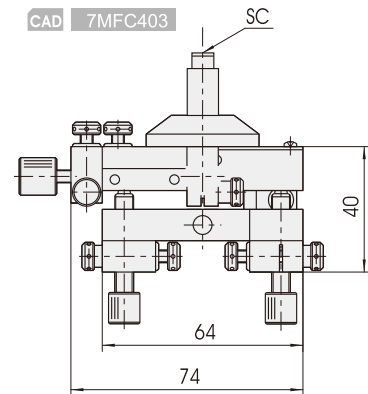


7MFC403

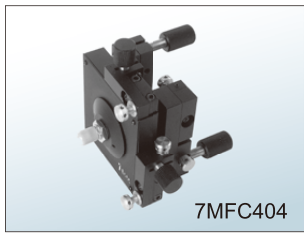
Ancillary product:

- SC plug fiber

CAD 7MFC403



7MFC404 Fiber Coupler

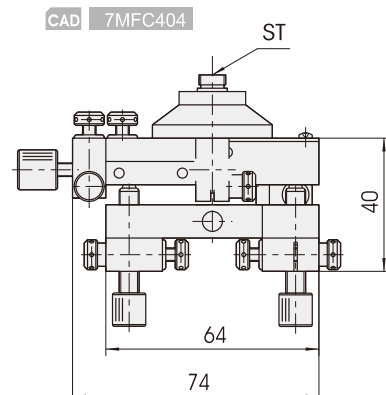


7MFC404

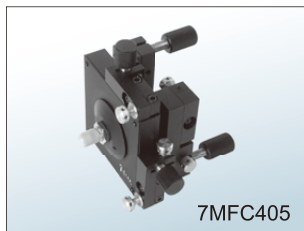
Ancillary product:

- ST plug fiber

CAD 7MFC404



7MFC405 Fiber Coupler

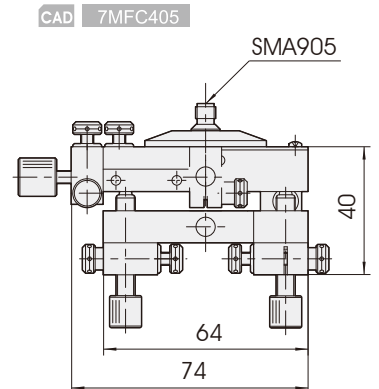


7MFC405

Ancillary product:

- SMA905 plug fiber

CAD 7MFC405



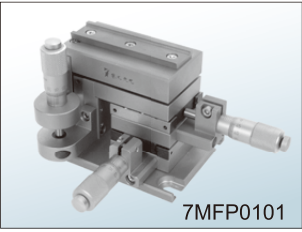


PRECISION FIBER POSITIONING SYSTEM

7MFP series Fiber Positioning System

7MFP series products adopt stainless steel with temperature stability effectively avoid drift. Cross roller guide rail and rigid structure design avoid the interference of vibration. Compact structure, small shape, good appearance, hands paired design, comfortable adjustment, humanization design. With modular structure design, each module can be used alone or combined together to realize six-dimensional adjustment. Center height of mounts for a variety of optical parts is exactly the same, easy to interchange. Open structure for mounting fiber without interference after connection.

7MFP01 Three-dimensional Translation Mount



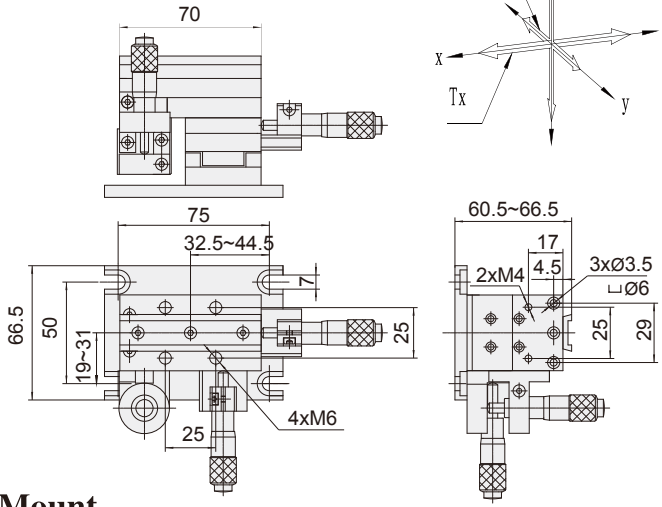
Characteristics:

- Excellent stainless steel with temperature stability effectively avoids drift
- Rigid structure design avoids interference from the vibration.
- Compact structure, small and exquisite
- Paired design, model 7MFP0101 for right hand and model 7MFP0102 for left-handed
- Dovetail base for assemble optical mounts

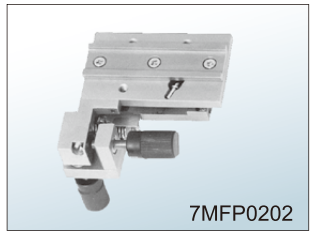
Specifications:

Travel Tx	12
Travel Ty	12
Travel Tz	6
Maximum swing/ μ rad	100
Center height of optics	79
Load/kg	2.3
Weight/g	1512

CAD 7MFP0101



7MFP02 Two-dimensional Tilt Mount



Characteristics:

- Excellent stainless steel with temperature stability effectively avoids drift
- Two-dimensional tilt adjustments around Y or Z axis
- Paired design, model 7MFP0201 for right hand and model 7MFP0202 for left-handed
- Dovetail base for assemble optical mounts

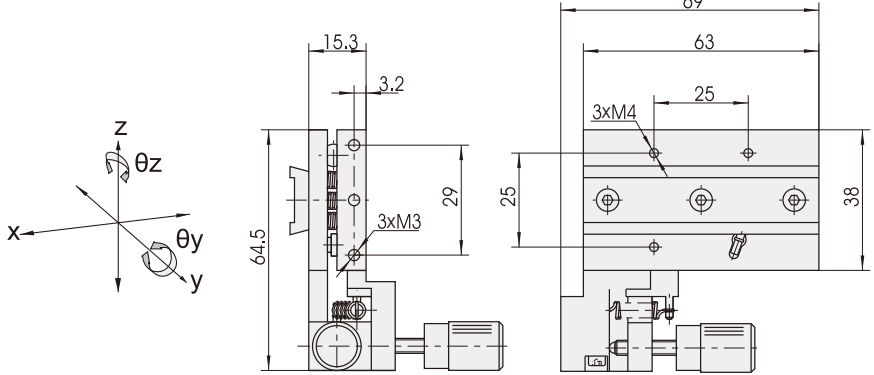
Specifications:

$\theta_y / ^\circ$	± 5
$\theta_z / ^\circ$	± 5
Resolution/''	5
Weight/g	284

Ancillary product:

- 7MB20 baseplate

CAD 7MFP0202



- Solar Cell Performance Testing Department
- Photoconductive Testing Department
- Special Measurement Instrument
- Precision Positioning Systems
- Stages
- Opto-Mechanics
- Tables
- Optical Elements

- MIRROR MOUNTS
- ADJUSTABLE LENS HOLDERS
- LENS HOLDERS
- SELF-CENTERING LENS HOLDERS
- SPECIAL LENS HOLDER
- POLARIZER HOLDERS
- CYLINDRICAL LENS HOLDERS
- FILTER HOLDERS
- ADJUSTABLE PLATE HOLDER
- PRECISION PRISM MOUNTS
- BEAM STEERERS
- OPTIC ADAPTORS
- PRECISION LASER MOUNTS
- BASEPLATES
- MAGNETIC BASES
- RIGHT ANGLE BRACKETS
- BASE CLAMPS
- FINE ADJUSTMENT SCREWS
- MICROMETERS
- SCREW ADAPTORS
- SUPPORT POSTS
- POST LIMIT
- POST HOLDERS
- ROTATIONAL POST HOLDERS
- COARSE/FINE ADJUSTMENT POST HOLDERS
- CROSS POST HOLDERS
- ROTATIONAL HOLDERS
- SUPPORT RODS
- ROD CLAMP
- SLIDING RAILS
- RAIL CLAMPERS
- PRECISION FIBER COUPLERS
- PRECISION FIBER POSITIONING SYSTEM
- FIBER CLAMPING APPARATUS
- PRECISION SPECTRAL FILTERS
- PIN-HOLE MOUNT
- PIN-HOLE MOUNT
- IRIS DIAPHRAGMS
- IRIS DIAPHRAGM MOUNTS
- ADJUSTABLE SLITS
- ACCESSORIES



Solar Cell Performance
Testing Department

Photovoltaic
Testing Department

Spectral Measurement
Instrument

Precision Positioning
Systems

Stages

Opto-
Mechanics

Tables

Optical
Elements

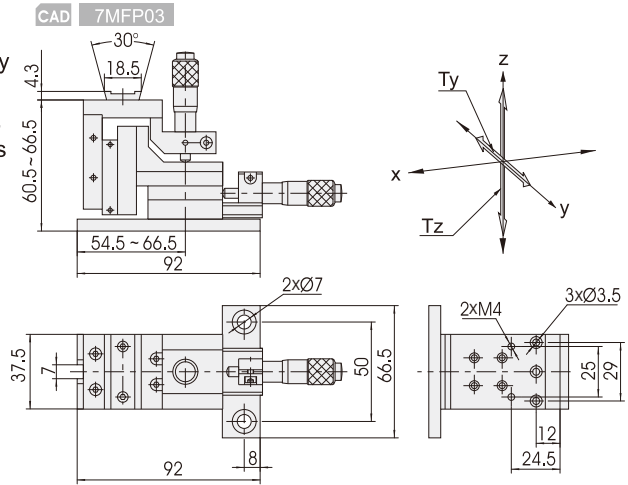
7MFP03 Two-Dimensional Translation Mount

Characteristics:

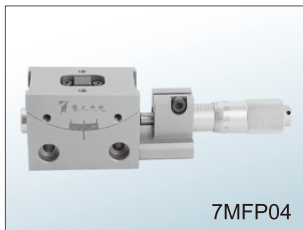
- Excellent stainless steel with temperature stability effectively avoids drift
- Rigid structure design avoids interference from the vibration.
- Two-dimensional translation adjustments through Y or Z axis
- Dovetail base for assemble optical mounts

Specifications:

Travel Tx	12
Travel Ty	6
Maximum swing/ μ rad	100
Center height of optics	79
Load/kg	2.3
Weight/g	1052



7MFP04 Angular Adjusting Mount

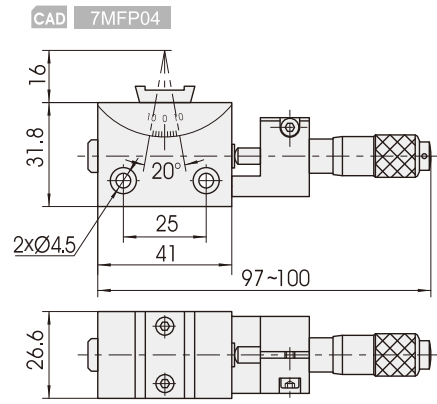
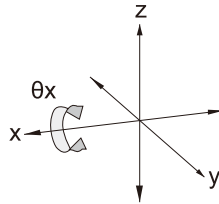


Characteristics:

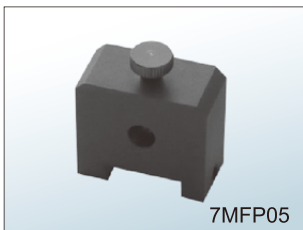
- Excellent stainless steel with temperature stability effectively avoids drift
- Rotary adjustment around X axis
- Dovetail base for assemble optical mounts

Specifications:

$\theta_x/^\circ$	± 10
Resolution /"	6
Weight/g	317



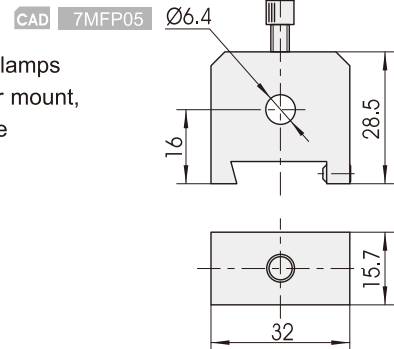
7MFP05 Clamping Mount



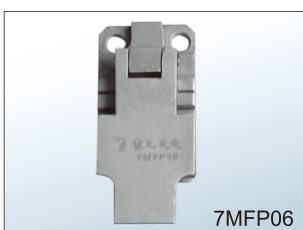
Characteristics:

- For mounting 7MFH1 and 7MFH2 fiber clamps
- With dovetail groove to match other fiber mount, convenient to assemble and disassemble

Weight	101g
--------	------



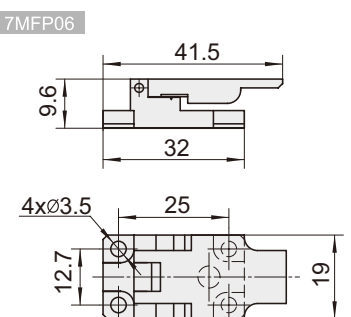
7MFP06 Magnetic Clamping Mount



Characteristics:

- For mounting single mode optic fiber
- Magnet force for clamping without hurt on fiber
- Clamping diameter range 0.125~0.25mm

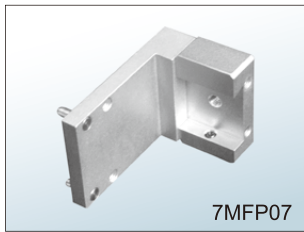
Weight	32g
--------	-----



MIRROR MOUNTS
ADJUSTABLE LENS HOLDERS
LENS HOLDERS
SELF-CENTERING LENS HOLDERS
SPECIAL LENS HOLDERS
POLARIZER HOLDERS
CYLINDRICAL LENS HOLDERS
FILTER HOLDERS
ADJUSTABLE PLATE HOLDER
PRECISION PRISM MOUNTS
BEAM STEERERS
OPTIC ADAPTORS
PRECISION LASER MOUNTS
BASEPLATES
MAGNETIC BASES
RIGHT ANGLE BRACKETS
BASE CLAMPS
FINE ADJUSTMENT SCREWS
MICROMETERS
SCREW ADAPTORS
SUPPORT POSTS
POST LIMIT
POST HOLDERS
ROTATIONAL POST HOLDERS
COARSE/FINE ADJUSTMENT POST HOLDERS
CROSS POST HOLDERS
ROTATIONAL HOLDERS
SUPPORT RODS
ROD CLAMP
SLIDING RAILS
RAIL CARRIERS
PRECISION FIBER COUPLERS
PRECISION FIBER POSITIONING SYSTEM
FIBER CLAMPING APPARATUS
PRECISION SPATIAL FILTERS
PINHOLES
PINHOLE MOUNT
IRIS DIAPHRAGMS
IRIS DIAPHRAGM MOUNTS
ADJUSTABLE SLITS
ACCESSORIES



7MFP07 Adaptor

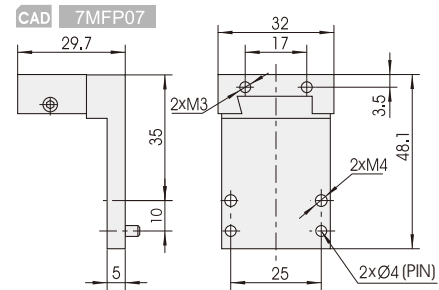


7MFP07

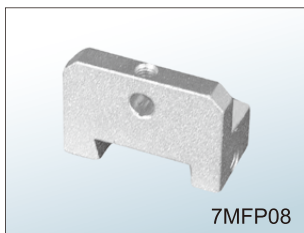
Characteristics:

- Make 7MFP04 angular adjusting mount and 7MFP02 two-dimensional tilt mount connected, together with 7MFP01 three-dimensional translation mount into six-dimensional positioning system

Weight	103g
--------	------



7MFP08 Autofocus Lens holder

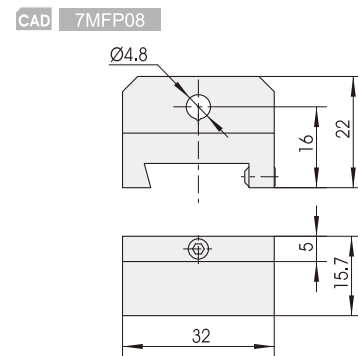


7MFP08

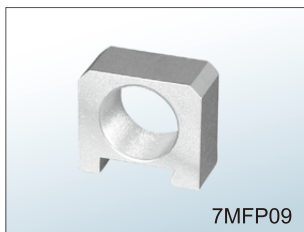
Characteristics:

- For fixing autofocus lens
- With dovetail groove to match other fiber mount, convenient to assemble and disassemble

Weight	46g
--------	-----



7MFP09 Microobjective Mount

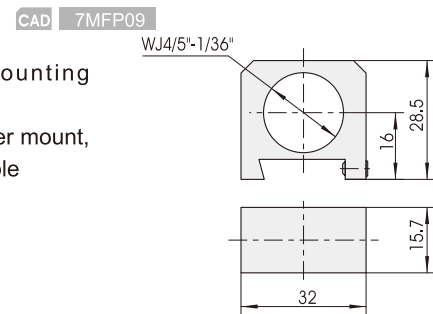


7MFP09

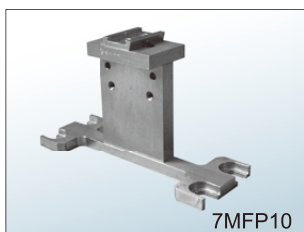
Characteristics:

- With standard screw hole for mounting microobjective
- With dovetail groove to match other fiber mount, convenient to assemble and disassemble

Weight	66g
--------	-----



7MFP10 Dovetail Rack

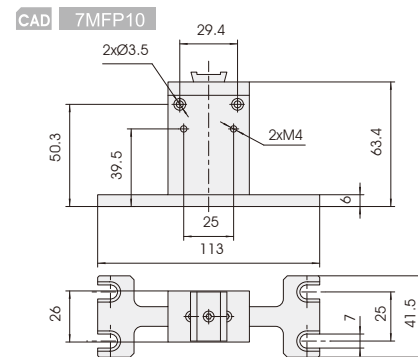


7MFP10

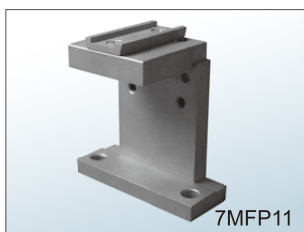
Characteristics:

- Top dovetail can be used for mounting of optical element
- Compose other adjustment racks to a adjusting system

Weight	286g
--------	------



7MFP11 Dovetail Rack

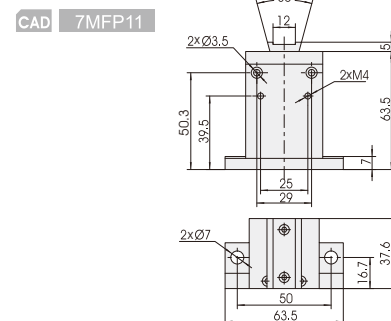


7MFP11

Characteristics:

- Top dovetail can be used for mounting of optical element
- Compose other adjustment racks to a adjusting system

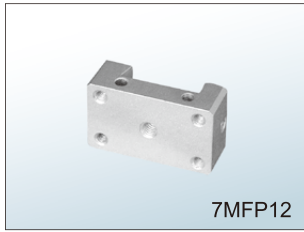
Weight	317g
--------	------



- MIRROR MOUNTS
- ADJUSTABLE LENS HOLDERS
- LENS HOLDERS
- SELF-CENTERING LENS HOLDERS
- SPECIAL LENS HOLDER
- POLARIZER HOLDERS
- CYLINDRICAL LENS HOLDERS
- FILTER HOLDERS
- ADJUSTABLE PLATE HOLDER
- PRECISION PRISM MOUNTS
- BEAM STEERERS
- OPTIC ADAPTORS
- PRECISION LASER MOUNTS
- BASEPLATES
- MAGNETIC BASES
- RIGHT ANGLE BRACKETS
- BASE CLAMPS
- FINE ADJUSTMENT SCREWS
- MICROMETERS
- SCREW ADAPTORS
- SUPPORT POSTS
- POST LIMIT
- POST HOLDERS
- ROTATIONAL POST HOLDERS
- COARSE FINE ADJUSTMENT POST HOLDERS
- CROSS POST HOLDERS
- ROTATIONAL HOLDERS
- SUPPORT RODS
- ROD CLAMP
- SLIDING RAILS
- RAIL CARRIERS
- PRECISION FIBER COUPLERS
- PRECISION FIBER POSITIONING SYSTEM
- FIBER CLAMPING APPARATUS
- PRECISION SPECTRAL FILTERS
- PINHOLES
- PIN-HOLE MOUNT
- IRIS DIAPHRAGMS
- IRIS DIAPHRAGM MOUNTS
- ADJUSTABLE SLITS
- ACCESSORIES



7MFP12 Dovetail Mount

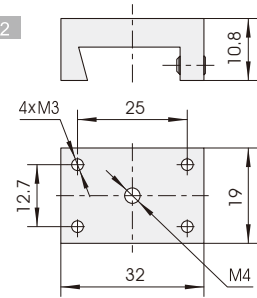


Characteristics:

- With dovetail groove to match other fiber mount, convenient to assemble and disassemble

Weight	35g
--------	-----

CAD 7MFP12



FIBER CLAMPING APPARATUS

7MFH1 Fiber clamping apparatus

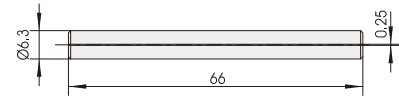


Characteristics:

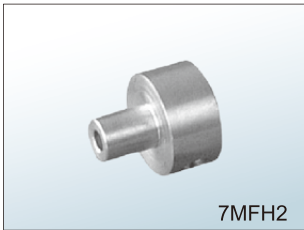
- Slot to the center of the long cylinder, elastic clamping
- Combined with 7MFC series fiber couplers and 7MFP05 clamping mount, stable and convenient
- Clamping diameter 0.08~0.2mm

Weight	17g
--------	-----

CAD 7MFH1



7MFH2 Fiber clamping apparatus

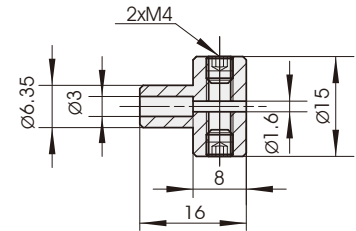


Characteristics:

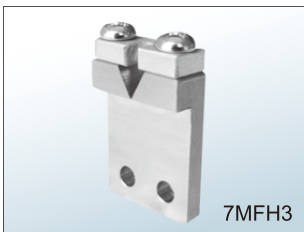
- Hole in the center of the cylinder, rigid clamping
- Combined with 7MFC series fiber couplers and 7MFP05 clamping mount, stable and convenient
- Clamping diameter 0.2~1.5mm

Weight	13g
--------	-----

CAD 7MFH2



7MFH3 V-shape Fiber clamping apparatus

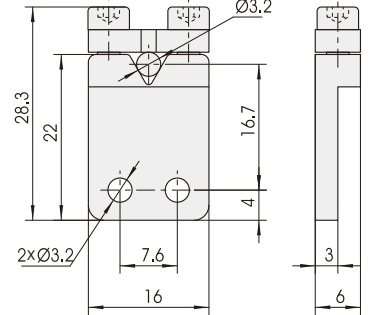


Characteristics:

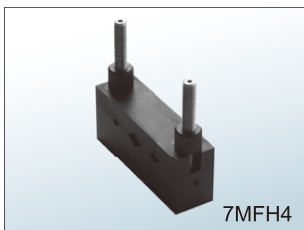
- Opened V-shape groove, convenient to putting on and out
- Combined with 7MB21 baseplate and 7SIM0305 tilt platform to make multi-dimensional adjustment system

Weight	8g
--------	----

CAD 7MFH3



7MFH4 V-Shape Fiber clamping apparatus

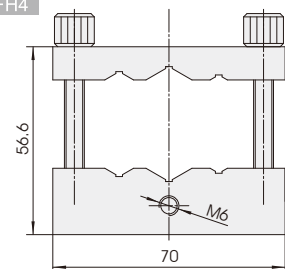


Characteristics:

- Opened V-shape groove, convenient to putting on and out
- Used with 7MP serie supporting posts

Weight	134g
--------	------

CAD 7MFH4

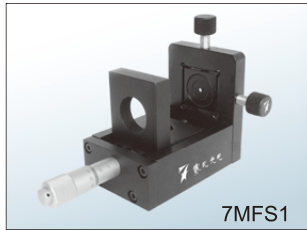




PRECISION SPATIAL FILTERS

The application of spatial filter is using microobjective and pinhole to recover the laser beam which energy distribution was affected in the transmission process by defective optical element or scattering in the air. This process is very important for many optical experiments and research, especially in holography field and optical data processing.

7MFS1 Spatial Filter



Characteristics:

- Equipped with standard mount for microobjective and pinhole
- Microobjective mount can be adjusted by micrometer, distance between the microobjective and pinhole is continuous and quantitative
- Precision linear ball guide makes stable movement and high precision
- Two M6×0.25 fine thread on the pinhole mount to exactly realize two-dimensional translation

Brief introductions:

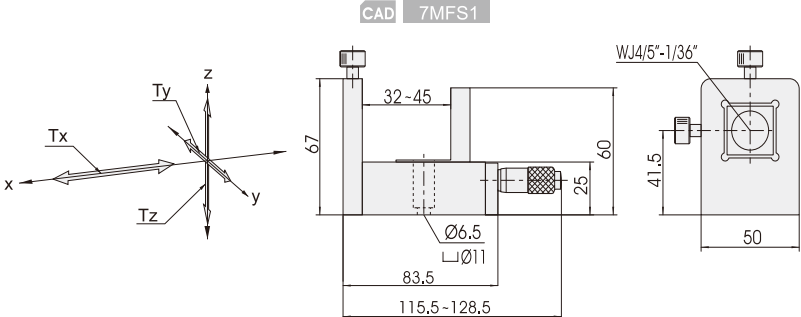
- When using, put the spatial filter into the optical path and let the laser beam go through the microobjective. Then make the reflected beam from microobjective and the incident beam overlap completely, then adjust the distance of microobjective and pinhole, finally make beam focusing accurately in the pinhole and then complete the adjustment.

Specifications:

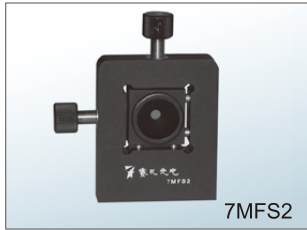
Travel of microobjective Tx	13
Travel of pinhole Ty,Tz	±1.5
Minimum reading of micrometer	0.01
Accuracy of adjustment	0.005
Weight/g	422

Ancillary products:

- 700 series microobjectives
- 7MO series pinhole



7MFS2 Pinhole Mount



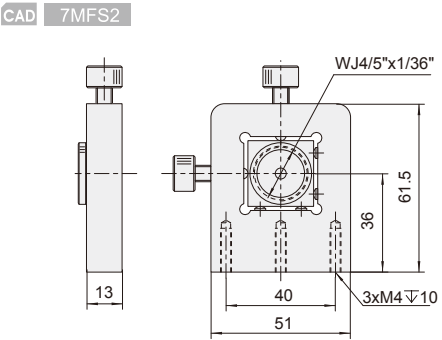
Characteristics:

- Simple structure with slim profile
- Standard mount or microobjective and pinhole
- Two dimensional adjustment range ±1.5mm

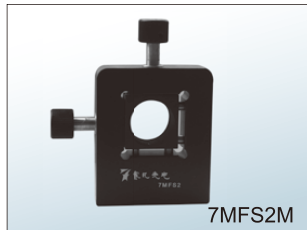
Weight	118g
--------	------

Ancillary products:

- 700 series microobjectives
- 7MO series pinholes



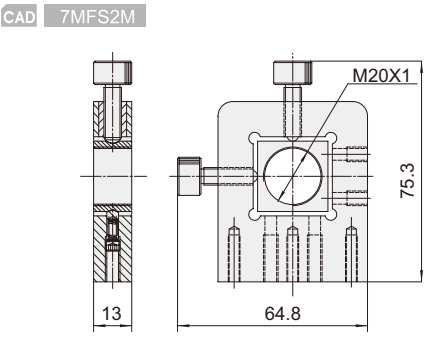
7MFS2M Adjusting Mount



Characteristics:

- Simple structure with slim profile, available in the instrument which needs two-dimensional regulation
- Two dimensional adjustment range ±1.5mm

Weight	127g
--------	------



- Solar Cell Performance Testing Department
- Photoconductive Testing Department
- Special Measurement Instrument
- Precision Positioning Systems
- Stages
- Opto-Mechanics
- Tables
- Optical Elements

- MIRROR MOUNTS
- ADJUSTABLE LENS HOLDERS
- LENS HOLDERS
- SELF-CENTERING LENS HOLDERS
- SPECIAL LENS HOLDER
- POLARIZER HOLDERS
- CYLINDRICAL LENS HOLDERS
- FILTER HOLDERS
- ADJUSTABLE PLATE HOLDER
- PRECISION PRISM MOUNTS
- BEAM STEERERS
- OPTIC ADAPTORS
- PRECISION LASER MOUNTS
- BASEPLATES
- MAGNETIC BASES
- RIGHT ANGLE BRACKETS
- BASE CLAMPS
- FINE ADJUSTMENT SCREWS
- MICROMETERS
- SCREW ADAPTORS
- SUPPORT POSTS
- POST LIMIT
- POST HOLDERS
- ROTATIONAL POST HOLDERS
- COARSE/FINE ADJUSTMENT POST HOLDERS
- CROSS POST HOLDERS
- ROTATIONAL HOLDERS
- SUPPORT RODS
- ROD CLAMP
- SLIDING RAILS
- RAIL CARRIERS
- PRECISION FIBER COUPLERS
- PRECISION FIBER POSITIONING SYSTEM
- FIBER CLAMPING APPARATUS
- PRECISION SPATIAL FILTERS
- PINHOLES
- PIN-HOLE MOUNT
- IRIS DIAPHRAGMS
- IRIS DIAPHRAGM MOUNTS
- ADJUSTABLE SLITS
- ACCESSORIES



PINHOLES

7MO series Pin Holes

7MO series high powerful pinholes can realize the super little point source or laser spatial filter, outer diameter $\varnothing 8\text{mm}$, thickness 0.08mm

Specifications:

unit: μm

型号	7MO105	7MO110	7MO115	7MO120	7MO125	7MO130	7MO135	7MO140
孔径	5	10	15	20	25	30	35	40
型号	7MO145	7MO150	7MO155	7MO160	7MO165	7MO170	7MO175	7MO180
孔径	45	50	55	60	65	70	75	80
型号	7MO185	7MO190	7MO195	7MO1100	7MO1110	7MO1120	7MO1150	7MO1200
孔径	85	90	95	100	110	120	150	200

PINHOLE MOUNT

For mounting pinhole, avoid dust polluting.

7MOM108 Pinhole Mount



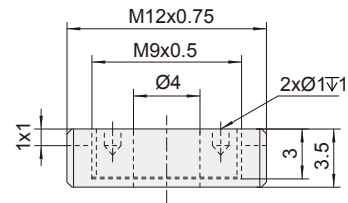
7MOM108

Weight 1g

Ancillary products:

- 7MO series pinholes
- 7MFS1 spatial filter
- 7MFS2 pinhole mount

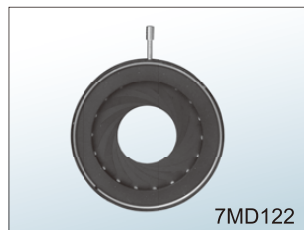
CAD 7MOM108



IRIS DIAPHRAGMS

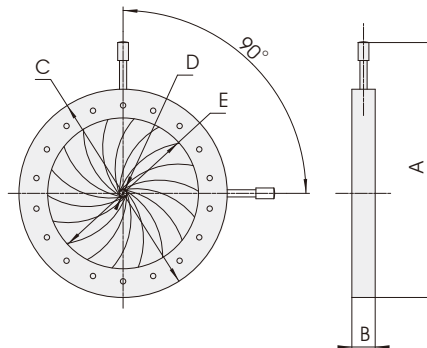
Point source or light energy controlling can be obtained by using a diaphragm with continuous adjustable diameter. 7MD series diaphragm has mullty adjustable blades, smooth aperture, continuous adjustable, small and exquisite, good appearance, convenient to use.

7MD series diaphragm



7MD122

CAD 7MD series



Specifications:

Model	Height A	Thickness B	External diameter C	Aperture D(Min)	Aperture E(Max)	Weight/g	Auxiliary product
7MD110	25.5	5	$\varnothing 20$	$\varnothing 1$	$\varnothing 10$	4	7MDM110
7MD122	45	5.5	$\varnothing 33$	$\varnothing 1.5$	$\varnothing 22$	5	7MDM122
7MD136	67	6.1	$\varnothing 50$	$\varnothing 1.5$	$\varnothing 36$	8	7MDM136
7MD142	71	6.5	$\varnothing 58$	$\varnothing 2$	$\varnothing 42$	17	7MDM142

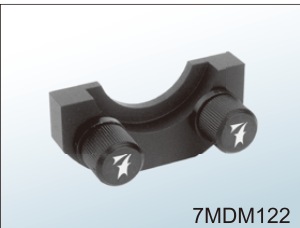
- Solar Cell Performance Testing Department
- Photoconductive Testing Department
- Spectral Measurement Instrument
- Precision Positioning Systems
- Stages
- Opto-Mechanics
- Tables
- Optical Elements
- MIRROR MOUNTS
- ADJUSTABLE LENS HOLDERS
- LENS HOLDERS
- SELF-CENTERING LENS HOLDERS
- SPECIAL LENS HOLDER
- POLARIZER HOLDERS
- CYLINDRICAL LENS HOLDERS
- FILTER HOLDERS
- ADJUSTABLE PLATE HOLDER
- PRECISION PRISM MOUNTS
- BEAM STEERERS
- OPTIC ADAPTORS
- PRECISION LASER MOUNTS
- BASEPLATES
- MAGNETIC BASES
- RIGHT ANGLE BRACKETS
- BASE CLAMPS
- FINE ADJUSTMENT SCREWS
- MICROMETERS
- SCREW ADAPTORS
- SUPPORT POSTS
- POST LIMIT
- POST HOLDERS
- ROTATIONAL POST HOLDERS
- COURSE-FINE ADJUSTMENT POST HOLDERS
- CROSS POST HOLDERS
- ROTATIONAL HOLDERS
- SUPPORT RODS
- ROD CLAMP
- SLIDING RAILS
- RAIL CARRIERS
- PRECISION FIBER COUPLERS
- PRECISION FIBER POSITIONING SYSTEM
- FIBER CLAMPING APPARATUS
- PRECISION SPATIAL FILTERS
- PINHOLES
- PINHOLE MOUNT
- IRIS DIAPHRAGMS
- IRIS DIAPHRAGMS MOUNTS
- ADJUSTABLE SLITS
- ACCESSORIES



IRIS DIAPHRAGMS MOUNTS

Diaphragm mount can be used with iris diaphragm, convenient to install

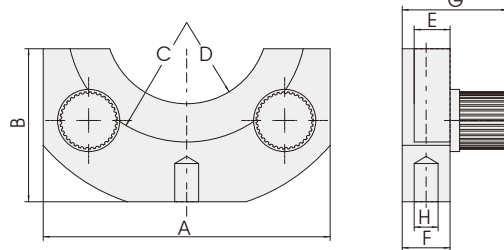
7MDM IRIS Diaphragms Mounts



Ancillary products:

- 7MD iris diaphragms
- 7MP series support posts

CAD 7MDM series



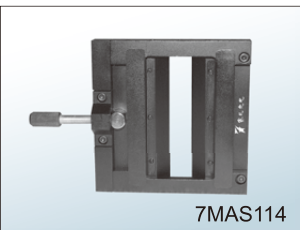
Specifications:

Model	A	B	C	D	E	F	G	H	Weight/g	Auxiliary product
7MDM110	24	20	R10	R6.5	4.8	6	18	M4	17	7MD110
7MDM122	48	24	R16.5	R12.5	5.3	8	20	M6	19	7MD122
7MDM128	60	32	R25	R17	7.5	10	22	M6	30	7MD128
7MDM136	60	32	R25	R20	6	8	20	M6	38	7MD136
7MDM142	70	35	R29	R24	6	9	21	M6	40	7MD142

ADJUSTABLE SLITS

Slit can make line source with continuous adjustable width in the optical experiments. Adjustable slits produced by our company have many modes: one-way, two-way or four-way can be adjusted and quantitative, cutting edge smooth and tidy, flexible opening, high precision, stable performance, good appearance and convenient to use.

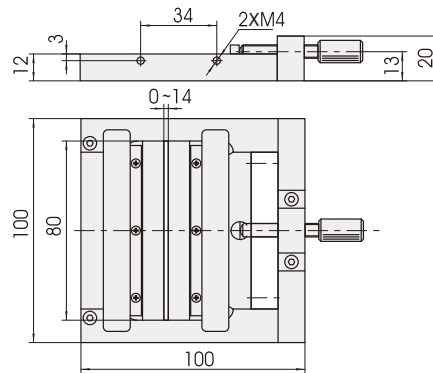
7MAS114 One-way Slit



Specifications:

Width of slit	0~14
Height of slit	80
Weight /g	217

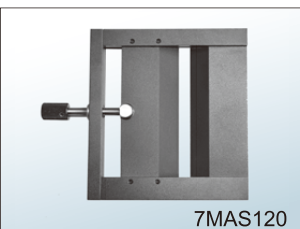
CAD 7MAS114



Characteristics:

- One-way opening blade, fine thread for adjustment, not quantitative
- Long blade, collapsible plate to avoid stray light

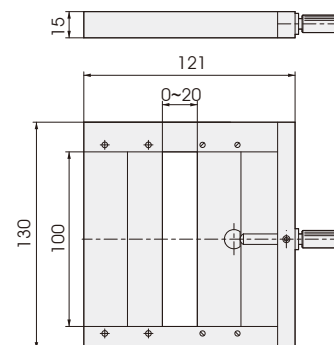
7MAS120 One-way Slit



Specifications:

Width of slit	0~20
Height of slit	100
Weight /g	339

CAD 7MAS120



Characteristics:

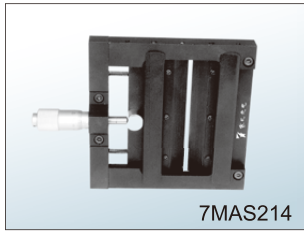
- One-way opening blade, fine thread for adjustment, not quantitative
- Long blade

- Solar Cell Performance Testing Department
- Photoconductive Testing Department
- Special Measurement Instrument
- Precision Positioning Systems
- Stages
- Opto-Mechanics
- Tables
- Optical Elements

- MIRROR MOUNTS
- ADJUSTABLE LENS HOLDERS
- LENS HOLDERS
- SELF-CENTERING LENS HOLDERS
- SPECIAL LENS HOLDER
- POLARIZER HOLDERS
- CYLINDRICAL LENS HOLDERS
- FILTER HOLDERS
- ADJUSTABLE PLATE HOLDER
- PRECISION PRISM MOUNTS
- BEAM STEERERS
- OPTIC ADAPTORS
- PRECISION LASER MOUNTS
- BASEPLATES
- MAGNETIC BASES
- RIGHT ANGLE BRACKETS
- BASE CLAMPS
- FINE ADJUSTMENT SCREWS
- MICROMETERS
- SCREW ADAPTORS
- SUPPORT POSTS
- POST LIMIT
- POST HOLDERS
- ROTATIONAL POST HOLDERS
- COARSE FINE ADJUSTMENT POST HOLDERS
- CROSS POST HOLDERS
- ROTATIONAL HOLDERS
- SUPPORT RODS
- ROD CLAMP
- SLIDING RAILS
- RAIL CLAMPERS
- PRECISION FIBER COOLERS
- PRECISION FIBER POSITIONING SYSTEM
- FIBER CLAMPING APPARATUS
- PRECISION SPECTRAL FILTERS
- PINHOLES
- PIN-HOLE MOUNT
- IRIS DIAPHRAGMS
- IRIS DIAPHRAGMS MOUNTS
- ADJUSTABLE SLITS
- ACCESSORIES



7MAS214 One-way Slit



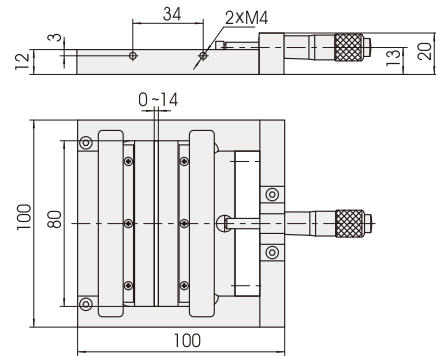
Specifications:

Width of slit	0~14
Minimum reading	0.01
Height of slit	80
Weight	229

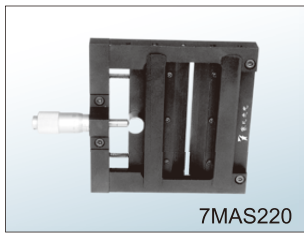
Characteristics:

- One-way opening blade, micrometer for adjustment, quantitative
- Long blade, collapsible plate to avoid stray light

CAD 7MAS214



7MAS220 One-way Slit



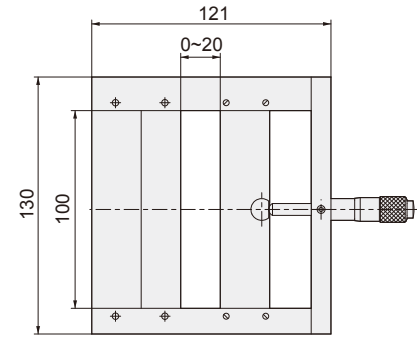
Specifications:

Width of slit	0~20
Minimum reading	0.01
Height of slit	100
Weight	436

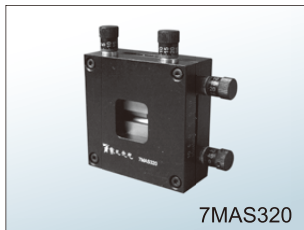
Characteristics:

- One-way opening blade, micrometer for adjustment, quantitative
- Long blade, collapsible plate to avoid stray light

CAD 7MAS220



7MAS320 Four-way Slit



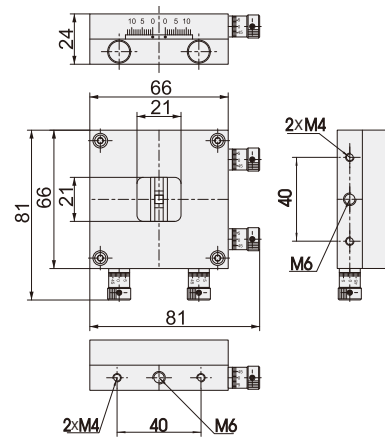
Specifications:

Width of slit	0~20
Minimum reading	0.01
Height of slit	0~20
Weight	371

Characteristics:

- Two pairs of blades keep perpendicular make orthogonal slits
- Width and height of slit are adjustable respectively and quantitatively

CAD 7MAS320



7MAS403 Two-way Slit



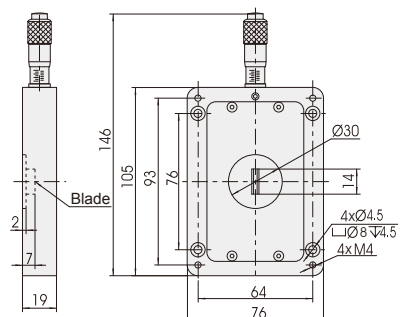
Specifications:

Width of slit	0~3
Minimum reading	0.01
Height of slit	14
Weight	404

Characteristics:

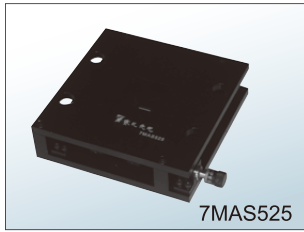
- Two blades open and close symmetrically with quantitative reading on micrometer
- Elastic blade rack, high precision

CAD 7MAS403





7MAS525 Two-way Slit



7MAS525

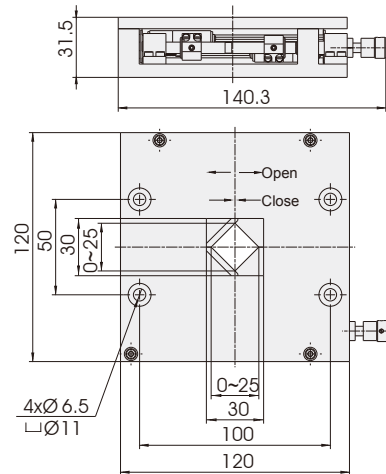
Specifications:

Diagonal length	0~25
Weight/g	736

Characteristics:

- Two pairs of perpendicular blades make a square hole
- Two-way simultaneous opening and closing, maintain square

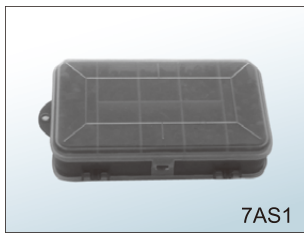
CAD 7MAS525



ACCESSORIES

For assemble and disassemble conveniently, we prepared screw box, screwdrivers, inner hexagon spanner and other accessories, lest be used everywhere, save your precious time.

7AS1 Screw Box



7AS1

7AT1 Small Inner Hexagon Spanners

7AT2 Big Inner Hexagon Spanners

7AT3 Screwdrivers



7AT1/7AT2/7AT3

7AT4 Tool Handwheel

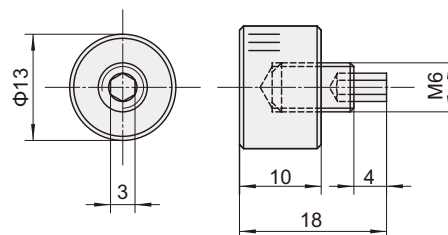


7AT4

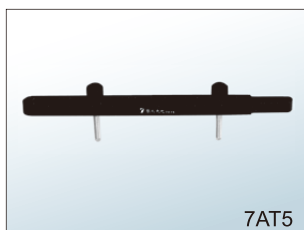
Characteristics:

- Used to adjust 7MS7 series fine thread and 7MM15/16 series two-dimensional mirror mounts

CAD 7AT4



7AT5 Wrench for Pressing Ring

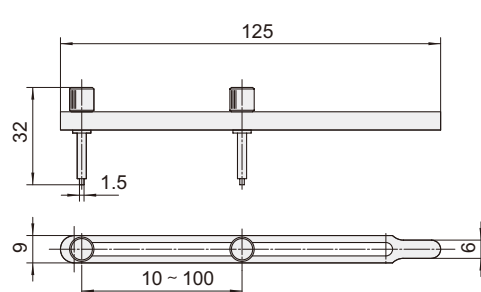


7AT5

Characteristics:

- Used for mounting and dismounting press ring, adjustable range:10mm-100mm

CAD 7AT5



- MIRROR MOUNTS
- ADJUSTABLE LENS HOLDERS
- LENS HOLDERS
- SELF-CENTERING LENS HOLDERS
- SPECIAL LENS HOLDER
- POLARIZER HOLDERS
- CYLINDRICAL LENS HOLDERS
- FILTER HOLDERS
- ADJUSTABLE PLATE HOLDER
- PRECISION PRISM MOUNTS
- BEAM STEERERS
- OPTIC ADAPTORS
- PRECISION LASER MOUNTS
- BASEPLATES
- MAGNETIC BASES
- RIGHT ANGLE BRACKETS
- BASE CLAMPS
- FINE ADJUSTMENT SCREWS
- MICROMETERS
- SCREW ADAPTORS
- SUPPORT POSTS
- POST LIMIT
- POST HOLDERS
- ROTATIONAL POST HOLDERS
- COARSE/FINE ADJUSTMENT POST HOLDERS
- CROSS POST HOLDERS
- ROTATIONAL HOLDERS
- SUPPORT RODS
- ROD CLAMP
- SLIDING RAILS
- RAIL CARRIERS
- PRECISION FIBER COUPLERS
- PRECISION FIBER POSITIONING SYSTEM
- FIBER CLAMPING APPARATUS
- PRECISION SPECTRAL FILTERS
- PIN-HOLES
- PIN-HOLE MOUNT
- IRIS DIAPHRAGMS
- IRIS DIAPHRAGM MOUNTS
- ADJUSTABLE SLITS
- ACCESSORIES

