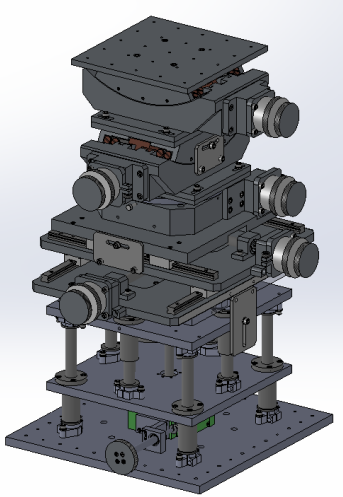
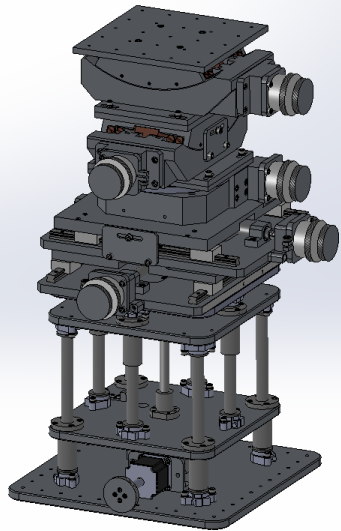
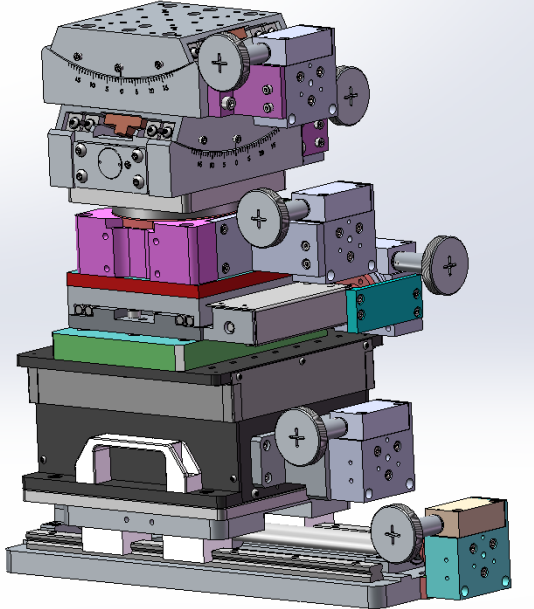


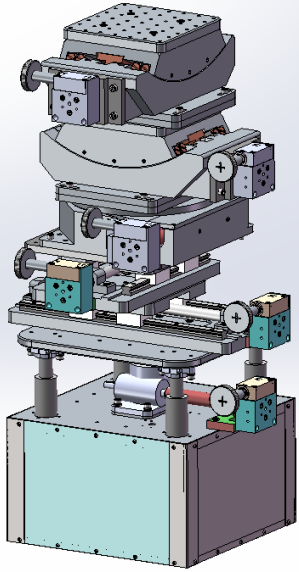
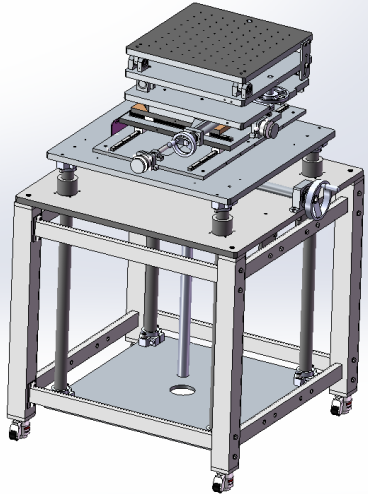
Customized Precision Combined Motion Stages

Order No. & Model	Description	Specifications	Diagrammatic Figure
1209001-LWXTM	Manual 6D	Travel X: 30mm; Y: 30mm; Z: 40mm; $\theta_z: 360^\circ$; $\theta_x: \pm 5^\circ$; $\theta_y: \pm 5^\circ$; Max. Load: 8kg; Top Platform size: 240x240mm; Overall size: 488x488x740mm	
1512027-LWXTM	Manual 6D	Travel X: 30mm; Y: 30mm; Z: 80mm; $\theta_z: 360^\circ$; $\theta_x: \pm 5^\circ$; $\theta_y: \pm 5^\circ$; Max. Load: 8kg; Top Platform size: 240x240mm; Overall size: 468x493x864	

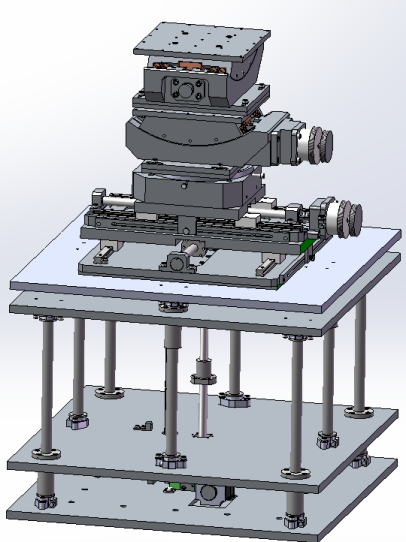
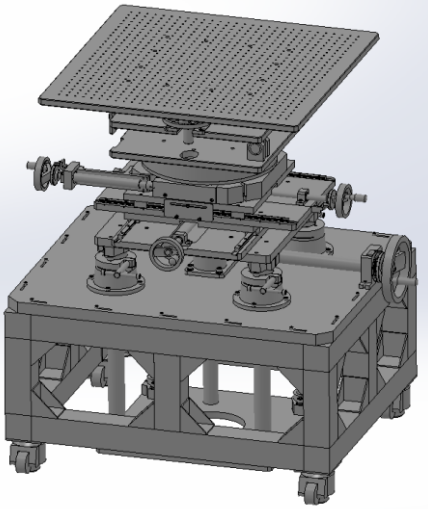
Customized Precision Combined Motion Stages

1907050-LWTZ1	Manual 6D	<p>Travel</p> <p>X: 50mm; Y: 150mm; Z: 25mm; $\theta_x: \pm 15^\circ$; $\theta_y: \pm 15^\circ$; $\theta_z: 360^\circ$;</p> <p>Max. Load: 20kg; Top Platform size: 120x120mm; Overall size: 406x219.5x422.5。</p>	 An exploded view diagram of a manual precision motion stage. The diagram shows the various components of the stage, including the top platform, the X, Y, and Z translation stages, and the rotation stages for X, Y, and Z. The components are color-coded: the top platform is grey, the X stage is purple, the Y stage is red, the Z stage is green, and the rotation stages are blue. The diagram illustrates the assembly of the stage, showing how the components fit together to provide 6 degrees of freedom.
---------------	-----------	--	---

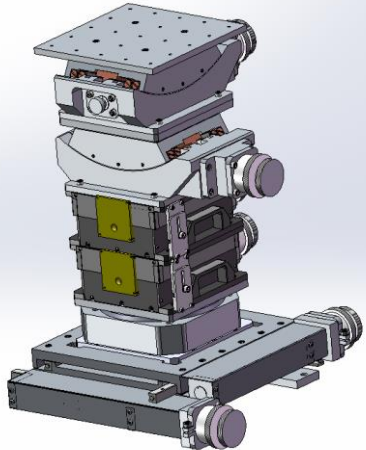
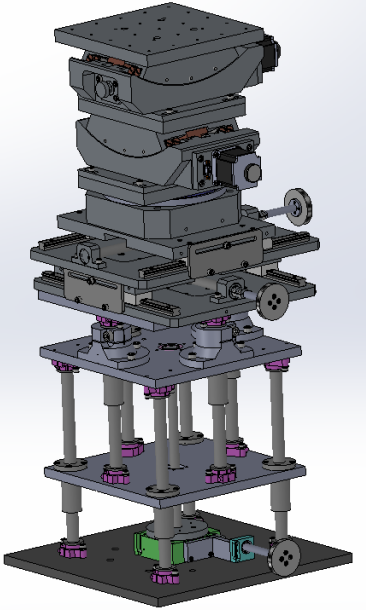
Customized Precision Combined Motion Stages

<p>1907050-LWTZ2</p>	<p>Manual 6D</p>	<p>Travel</p> <p>X: 50mm; Y: 150mm; Z: 50mm; θ_x: $\pm 15^\circ$; θ_y: $\pm 15^\circ$; θ_z: 360° ;</p> <p>Max. Load: 60Kg; Top Platform size: 170x170mm; Overall size: 412x343.5x757.5。</p>	
<p>1909088-LWTZ</p>	<p>Manual 5D stage</p>	<p>Travel</p> <p>X: 100mm。 Y: 400mm。 Z: 800mm。 θ_z: 0-300° 。 θ_y: $\pm 5^\circ$ 。</p> <p>Max. Load: 100kg; Top Platform size: 540x540mm; Overall size: 1155.4x1000x1612</p>	

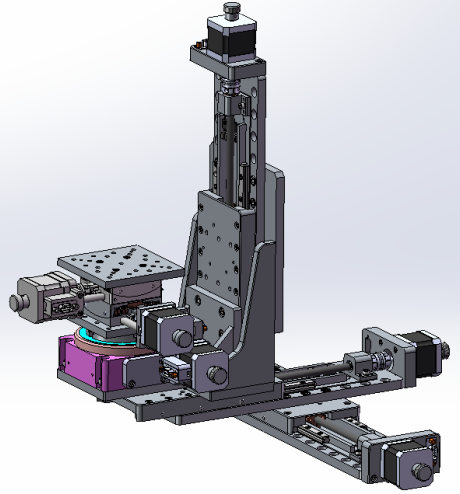
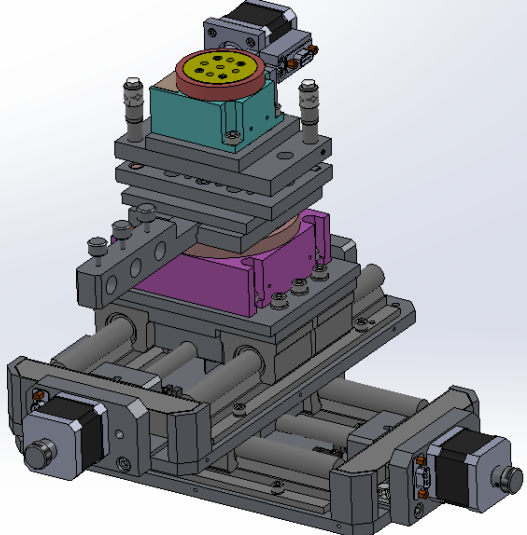
Customized Precision Combined Motion Stages

<p>1408004-LWXT</p>	<p>Manual + Motorized 6D</p>	<p>Travel X: 200mm Y: 200mm Z: 200mm (Manual+Motorized) θ_z: 360° θ_x: $\pm 15^\circ$ θ_y: $\pm 15^\circ$ Max. Load: 8kg Top Platform size: 210x210mm Overall size: 600x600x877mm</p>	
<p>1011001-XTLW</p>	<p>Manual 6D</p>	<p>Travel X : 100mm Y: 100mm Z: 400mm θ_z: 360° θ_x: $\pm 5^\circ$ θ_y: $\pm 5^\circ$ Max. Load: 150kg Top Platform size: 800x800mm Overall size: 840x1075x1587mm</p>	

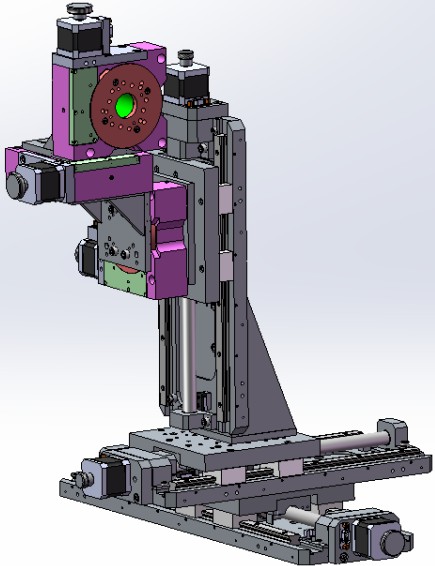
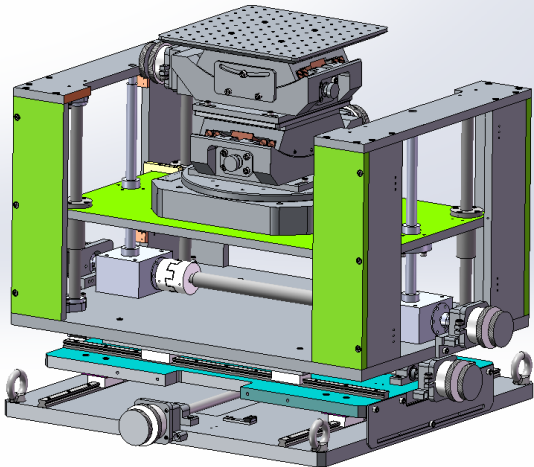
Customized Precision Combined Motion Stages

<p>2010024-SDLWXT</p>	<p>Manual 6D</p>	<p>Travel X: 100mm; Y: 100mm; Z: 50mm; θ_z: 360° ; θ_x: $\pm 15^\circ$; θ_y: $\pm 15^\circ$; Max. Load: 50kg; Top Platform size: 240x240mm; Overall size: 462x471x593mm</p>	
<p>1207036-LWXTM</p>	<p>Manual 6D</p>	<p>Travel X: 100mm; Y: 100mm; Z: 100mm; θ_z: 360° ; θ_x: $\pm 15^\circ$; θ_y: $\pm 15^\circ$; Max. Load: 30kg; Top Platform size: 240x240mm; Overall size: 477x477x994mm</p>	

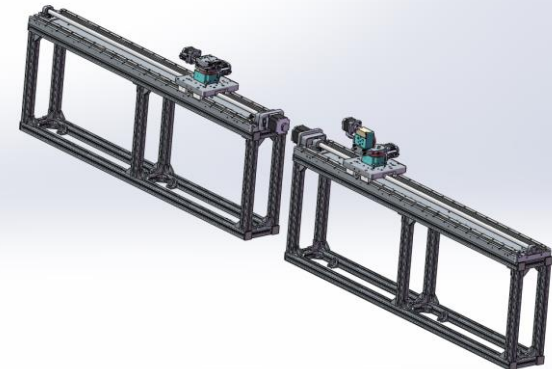
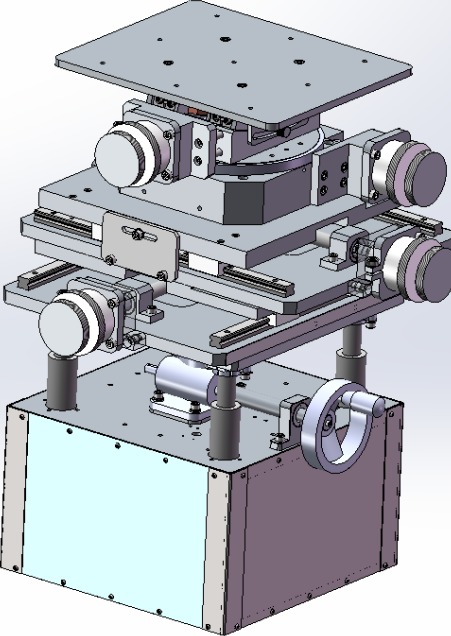
Customized Precision Combined Motion Stages

<p>1705036-LWXTA</p>	<p>Motorized 6D</p>	<p>Travel X: 100mm; Y: 100mm; Z: 100mm; θ_x: $\pm 10^\circ$; θ_y: $\pm 10^\circ$; θ_z: $\pm 15^\circ$; Max. Load: 5kg。 Top Platform size: 100x100mm; Overall Size: 408x540x483</p>	
<p>1112035-LWXT</p>	<p>Motorized 6D</p>	<p>Travel X: 100mm; Y: 100mm; θ_{z1}: 360° ; θ_{z2}: 360° ; θ_x: $\pm 5^\circ$; θ_y: $\pm 5^\circ$; Max. Load: 1kg Top Platform size: $\phi 50$mm; Overall size: 360x360x285</p>	

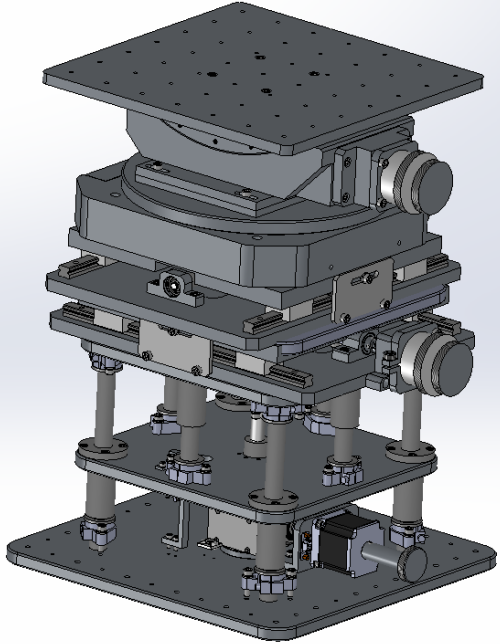
Customized Precision Combined Motion Stages

<p>1410018-LWXT</p>	<p>Motorized 6D</p>	<p>Travel</p> <p>X: 200mm; Y: 200mm; Z: 200mm; θX: 360° ; θY: 360° ; θZ: 360° ;</p> <p>Max. Load: 3kg Top Platform size: : ϕ 100 Overall size: 596x566x672mm</p>	
<p>2004115-LWTZ</p>	<p>Manual & Motorized 6D</p>	<p>Travel</p> <p>X: 300mm Y: 300mm, Z: 200mm, θZ: 360° ; θX: $\pm 15^\circ$; θY: $\pm 15^\circ$;</p> <p>Max. Load: 30 kg; Top Platform size: 280x280mm; Overall size: 884x796x570mm</p>	

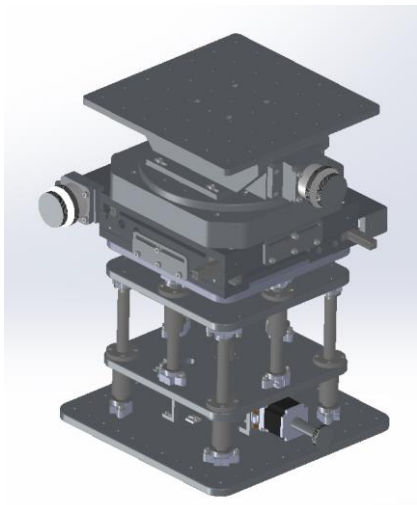
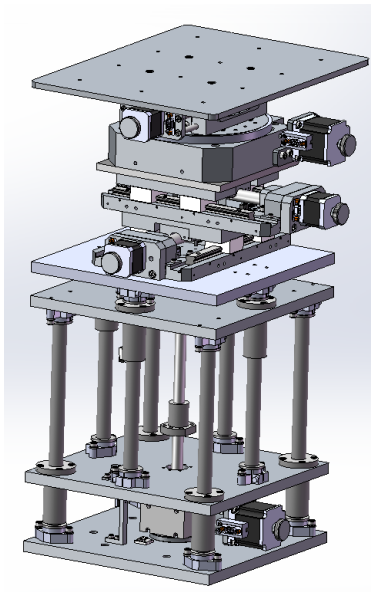
Customized Precision Combined Motion Stages

<p>1701059-LWJG</p>	<p>6D</p>	<p>Travel X: 1000mm; θ_z: 360° ; θ_x: $\pm 15^\circ$; Overall size: 2682x200x544mm</p>	
<p>1506049-WWXTM2</p>	<p>Manual 5D</p>	<p>Travel X: 30mm; Y: 30mm; Z: 30mm; θ_z: $\pm 360^\circ$; θ_x: $\pm 10^\circ$; Max. Load: 10kg; Top stage size: 250x300mm; Overall size: 458x458x568mm</p>	

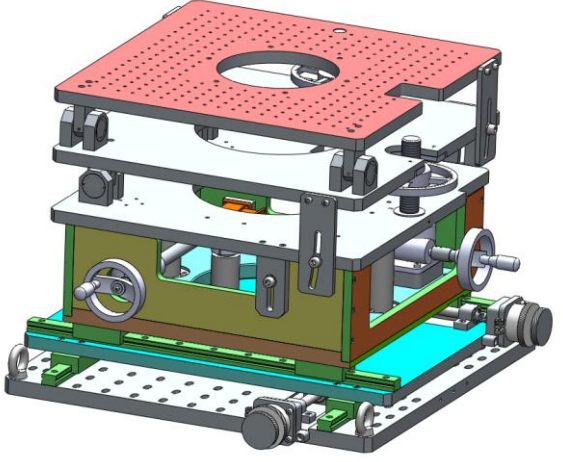
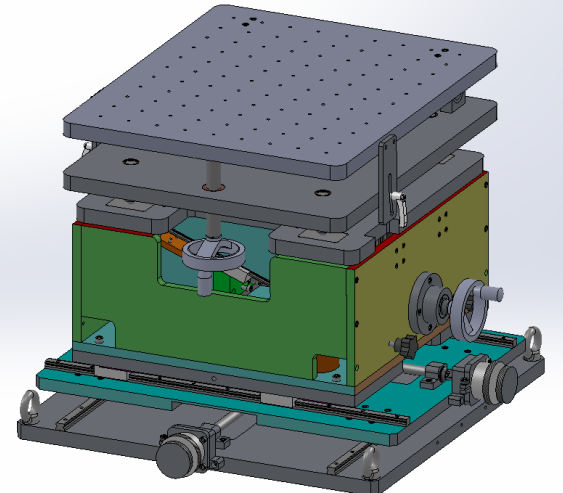
Customized Precision Combined Motion Stages

1911055-WWTZJ2	Manual 5D	<p>Travel</p> <p>X: 30mm; Y: 30mm; Z: 40mm; θ_z: 360° ; θ_x: $\pm 5^\circ$;</p> <p>Load: 15kg; Top Platform size: 350x350mm; Overall size: 490x471x563mm</p>	
----------------	-----------	--	---

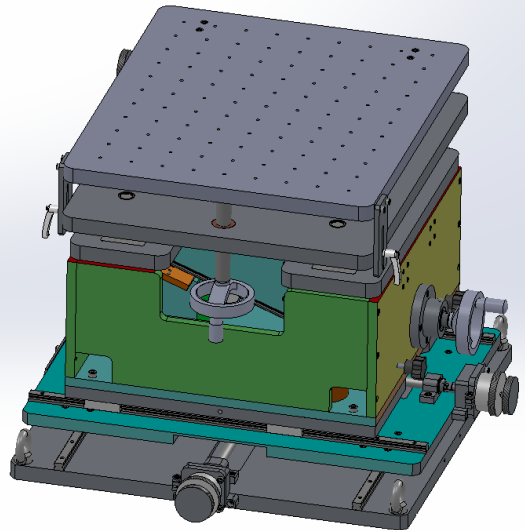
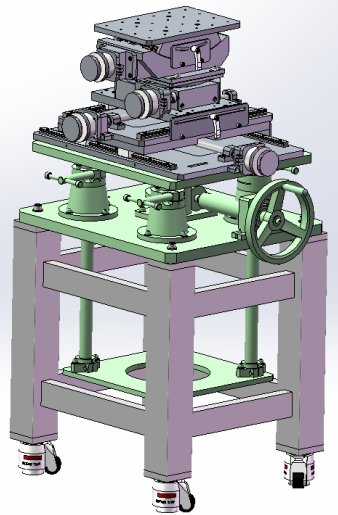
Customized Precision Combined Motion Stages

<p>2202049-WWTZJ</p>	<p>Manual 5D</p>	<p>Travel</p> <p>X: 30mm; Y: 30mm; Z: 60mm; θ_z: 360° ; θ_x: $\pm 5^\circ$;</p> <p>Max. Load: 15kg; Top Platform size: 350x350; Overall size: 533x463x590mm</p>	
<p>1507097-WWXTM</p>	<p>Manual 5D</p>	<p>Travel</p> <p>X: 50mm; Y: 50mm; Z: 150mm; θ_z: 360° ; θ_x: $\pm 10^\circ$;</p> <p>Max. Load: 10kg; Top Platform size: 300x300mm; Overall size: 386.7x436.7x663.5mm</p>	

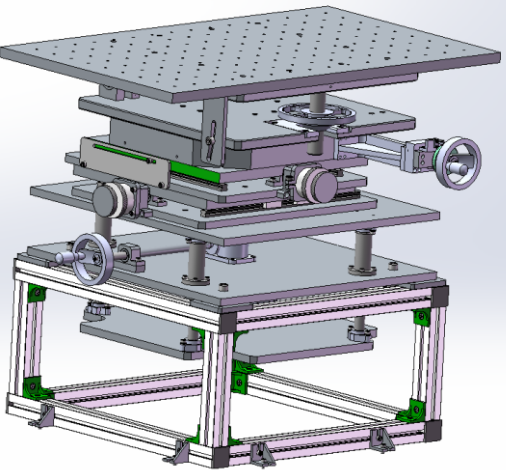
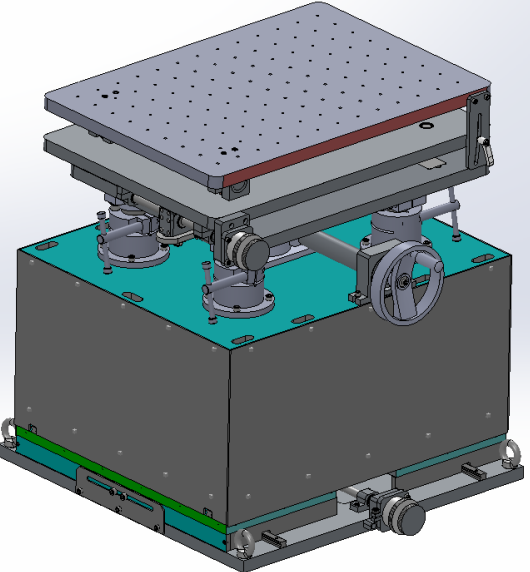
Customized Precision Combined Motion Stages

<p>2310038-WWTZ</p>	<p>Manual 5D</p>	<p>Travel</p> <p>X: $\pm 20\text{mm}$;</p> <p>Y: $\pm 20\text{mm}$;</p> <p>Z: $\pm 20\text{mm}$;</p> <p>θ_y: $\pm 5^\circ$;</p> <p>θ_x: $\pm 5^\circ$;</p> <p>Max. Load: 100Kg;</p> <p>Top Platform size: 600x500;</p> <p>Overall size: 730x725x500mm</p>	
<p>2106120-WWTZJ</p>	<p>5D Manual Stage</p>	<p>Travel</p> <p>X: $\pm 70\text{mm}$;</p> <p>Y: $\pm 70\text{mm}$;</p> <p>Z: $\pm 50\text{mm}$;</p> <p>Tx: $\pm 5^\circ$;</p> <p>Ty: $\pm 5^\circ$;</p> <p>Max. Load: 120Kg;</p> <p>Z-axis wedge type structure;</p> <p>Equipped with lock device for each axis</p> <p>Top Platform size: 600x500mm</p> <p>Overall size: 728x725x545</p>	

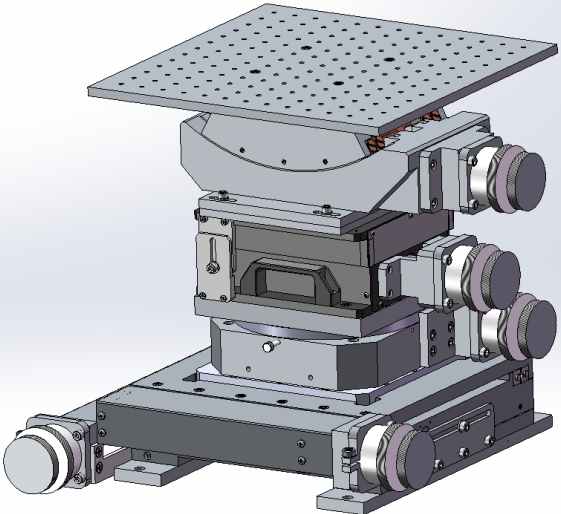
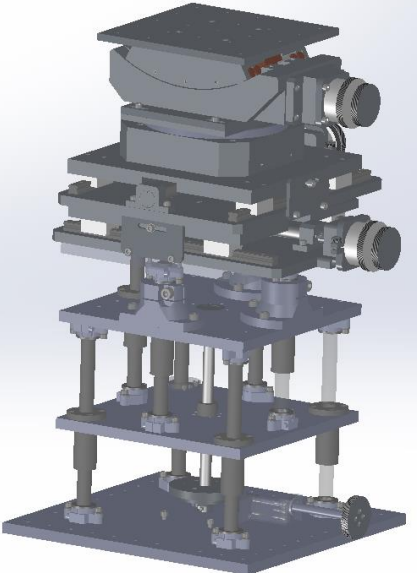
Customized Precision Combined Motion Stages

<p>1911055-WWTZJ1</p>	<p>Manual 5D Stage</p>	<p>Travel X: $\pm 70\text{mm}$; Y: $\pm 70\text{mm}$; Z: $\pm 50\text{mm}$; Tx: $\pm 3^\circ$; Ty: $\pm 5^\circ$; Max. Load: 120Kg; Z-axis wedge type structure; Equipped with lock functions for each axis Top Platform size: 600x500; Overall size: 728x725x540.2</p>	
<p>2010078-WWXTM</p>	<p>Manual 5D</p>	<p>Travel X: 300mm; Y: 200mm; Z: 200mm; θ_z: 360° ; θ_x: $\pm 5^\circ$; Max. Load: 45kg; Top Platform size: 200x300mm; Overall size: 615x547.5x1100mm</p>	

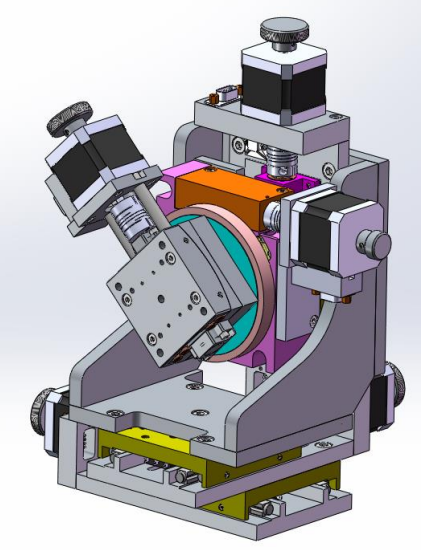
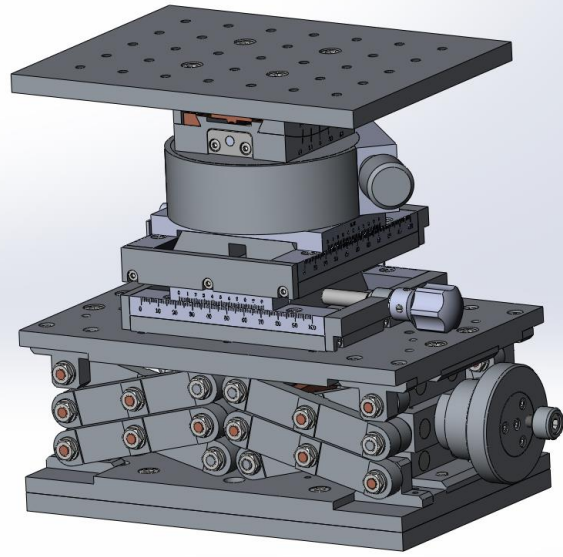
Customized Precision Combined Motion Stages

<p>1409089-WWXTM2</p>	<p>Manual 5D</p>	<p>Travel X: 150mm; Y: 150mm; Z: 150mm; $\theta_x: \pm 5^\circ$; $\theta_y: \pm 5^\circ$; Max. Load: 50kg; Top Platform size: 850x500mm; Overall size: 850x872.3x760mm</p>	
<p>1810118-WWXTM</p>	<p>Manual 5D</p>	<p>Travel Z: 100mm; X: 150mm; Y: 150mm; $\theta_y: \pm 5^\circ$; $\theta_x: \pm 5^\circ$; Max. Load: 120kg; Top Platform size: 500x700; Overall size: 796x798x778mm</p>	

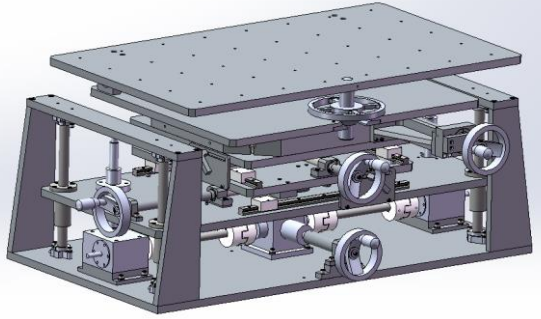
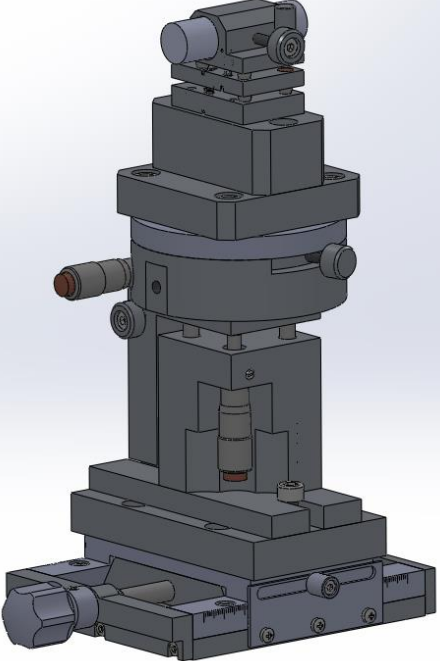
Customized Precision Combined Motion Stages

<p>1303057-WWXTM</p>	<p>Manual 5D</p>	<p>Travel X: 100mm; Y: 100mm; Z: 25mm; θ_z: 360° ; θ_y: $\pm 15^\circ$; Max. Load: 50kg; Top Platform size: 350x350mm; Overall size: 487x471x438.5mm</p>	
<p>1112033-WWXTM</p>	<p>Manual 5D</p>	<p>Travel X: 30mm; Y: 30mm; Z: 40mm; θ_z: 360° ; θ_y: $\pm 5^\circ$; Max. Load: 30kg; Top Platform size: 240x240mm; Overall size: 488x488x742mm</p>	

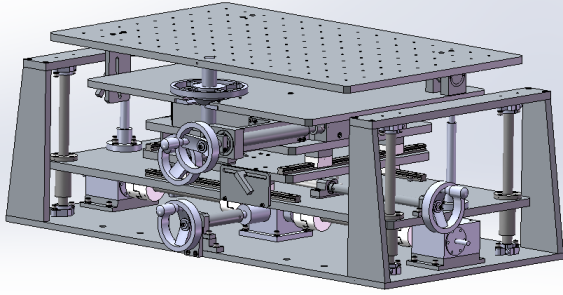
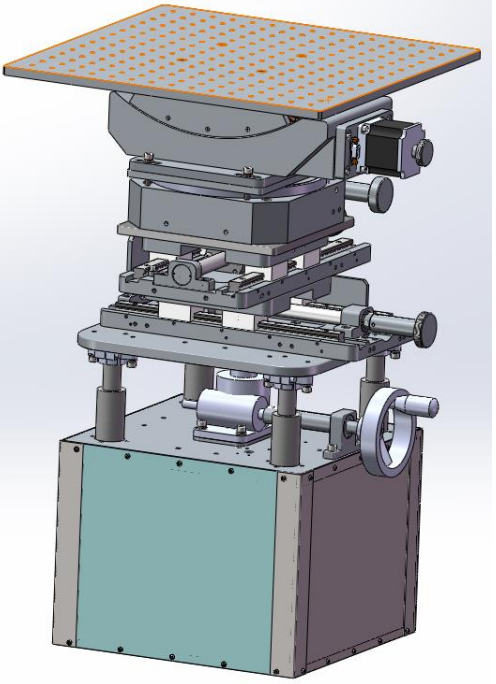
Customized Precision Combined Motion Stages

<p>1603028-WWXTA</p>	<p>Motorized 5D</p>	<p>Traavel</p> <p>X: 30mm; Y: 30mm; Z: 20mm ; θ_z: 360° ; θ_x: $\pm 10^\circ$;</p> <p>Max. Load: 4kg; Top Platform size: 65x65mm; Overall size: 296x223x313</p>	
<p>1211040-WWXTM</p>	<p>Manual 5D</p>	<p>Travel</p> <p>X: 50mm; Y: 50mm; Z: 120mm; θ_z: 360° ; θ_x: $\pm 5^\circ$;</p> <p>Max. Load: 2kg; Top Platform size: 200x150mm; Overall size: 262x181.5x346.5mm</p>	

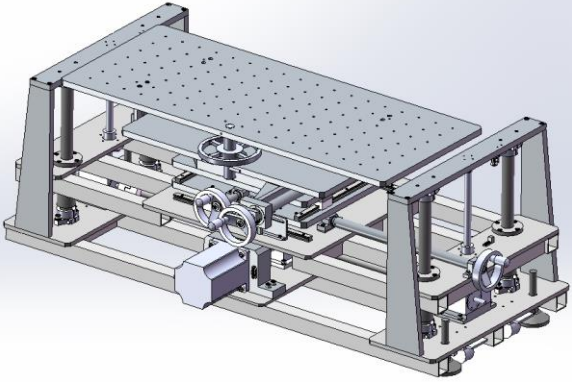
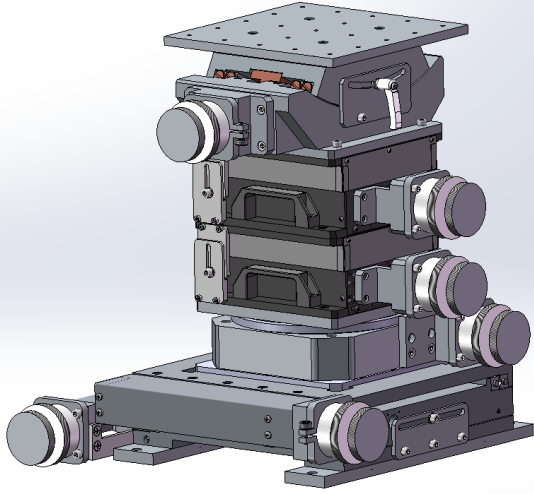
Customized Precision Combined Motion Stages

<p>1506049-WWXTM1</p>	<p>Manual 5D</p>	<p>Travel X: 50mm; Y: 50mm; Z: 50mm; θ_y: $\pm 10^\circ$; θ_x: $\pm 5^\circ$; Max. Load: 40kg; Top Platform size: 800x400mm; Overall size: 900x756x460</p>	
<p>1108030-WWXTM</p>	<p>Manual 5D</p>	<p>Travel X: 50mm; Z: 13mm; θ_z: 360° ; θ_x: $\pm 5^\circ$; θ_y: $\pm 5^\circ$; Max. Load: $\phi 16$, Length 59mm laser tube; Overall size: 166x116x240mm</p>	

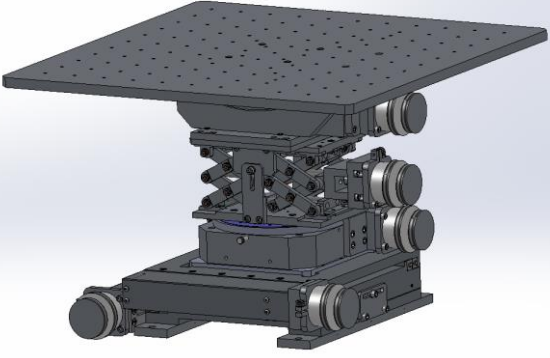
Customized Precision Combined Motion Stages

<p>1507047-WWXTM</p>	<p>Manual 5D</p>	<p>Travel X: 100mm; Y: 100mm; Z: 100mm; θ_y: $\pm 10^\circ$; θ_x: $\pm 5^\circ$; Max. Load: 100kg; Top Platform size: 800x500mm; Overall size: 1010x708x484</p>	
<p>1701005-WWXTM</p>	<p>Manual 5D</p>	<p>Travel X: 100mm; Y: 100mm; Z: 100mm; θ_z: 360° ; θ_x: $\pm 10^\circ$; Max. Load: 30kg; Top Platform size: 400x400mm; Overall size: 440.8x466.8x668.5</p>	

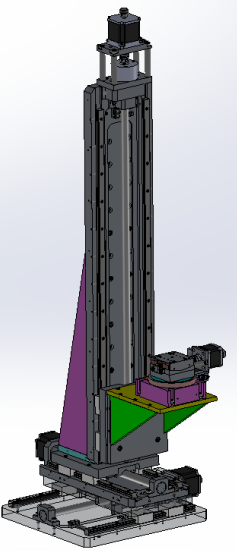
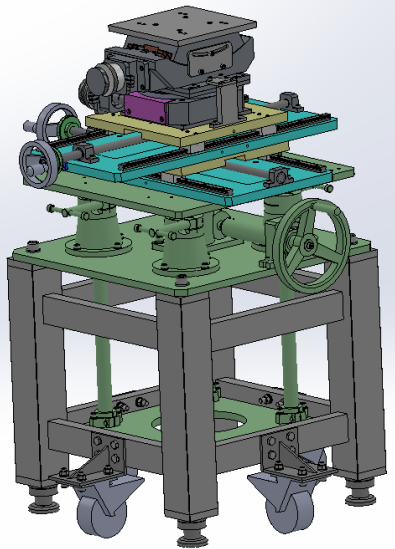
Customized Precision Combined Motion Stages

<p>1611047-WWXTA</p>	<p>Manual 5D</p>	<p>Travel X: 100mm, Y: 100mm, Z: 150mm, Motorized; θ_x: $\pm 10^\circ$; θ_y: $\pm 5^\circ$; Max. Load: 300kg; Top Platform size: 400x960mm; Overall size: 1356x790x657mm</p>	
<p>2010044-JSSDWWXT</p>	<p>Manual 5D</p>	<p>Travel X: 100mm; Y: 100mm; Z: 50mm (2 Nos. of 25mm stroke); θ_x: $\pm 15^\circ$; θ_z : 360° ; Max. Load: 50Kg; Top Platform size: 240x240; Overall size: 512x471x471mm</p>	

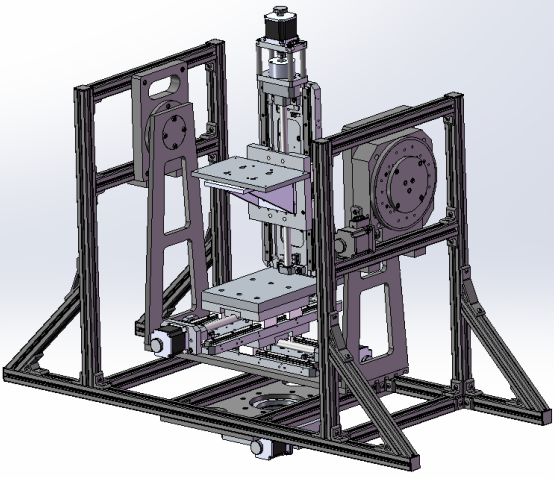
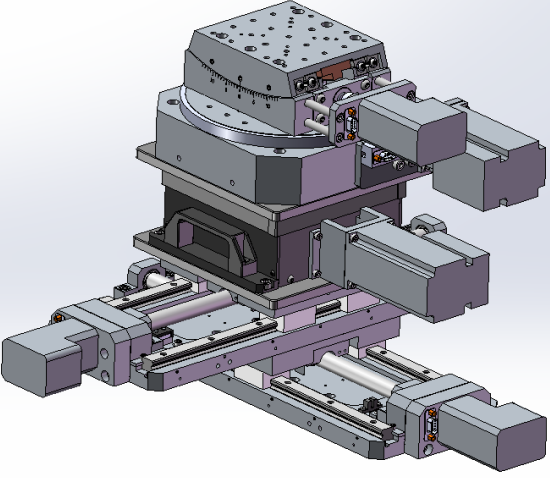
Customized Precision Combined Motion Stages

<p>1706085-WWXTM</p>	<p>Manual 5D</p>	<p>Travel X: 100mm; Y: 100mm; Z: 25mm; θ_z: 360° θ_y: $\pm 15^\circ$; Max. Load: 60kg; Top Platform size: 600x600; Overall size: 600x600x376</p>	
<p>1012073-WWXT</p>	<p>Manual 5D</p>	<p>Travel X: 100mm; Y: 50mm; Z: 20mm; θ_z: 360° ; θ_x: $\pm 5^\circ$; Max. Load: 60kg; Top Platform size: ϕ 160; Overall size: 600x600x395</p>	

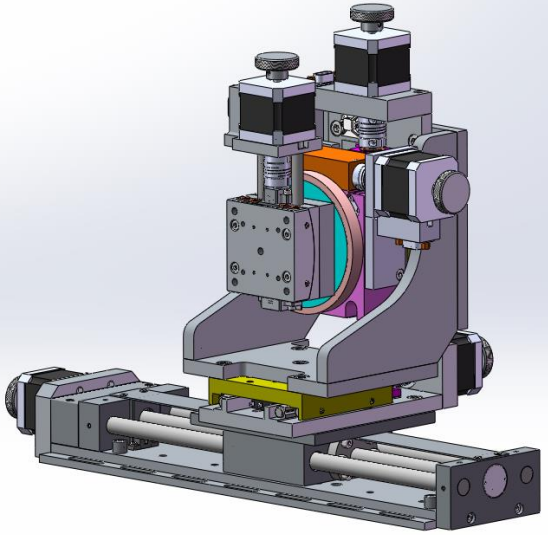
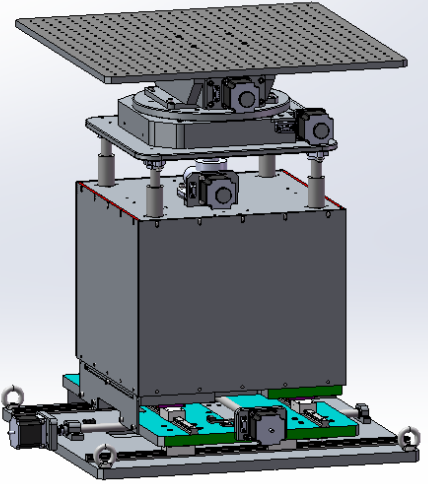
Customized Precision Combined Motion Stages

<p>1112038-WWXTA</p>	<p>Motorized 5D</p>	<p>Travel X: 100mm; Y: 100mm; Z: 600mm; $\theta_z: 360^\circ$; $\theta_x \pm 10^\circ$; Max. Load: 4kg; Top Platform size: 65x65mm; Overall size: 413.5x300x1114.5</p>	
<p>1209028-WWXTM</p>	<p>Manual 5D</p>	<p>Travel X: 200mm; Y: 200mm; Z: 300mm; $\theta_z: \pm 5^\circ$; $\theta_x: \pm 15^\circ$; Max. Load: 50kg; Top Platform size: 220x220mm; Overall size: 804x804x1354.2</p>	

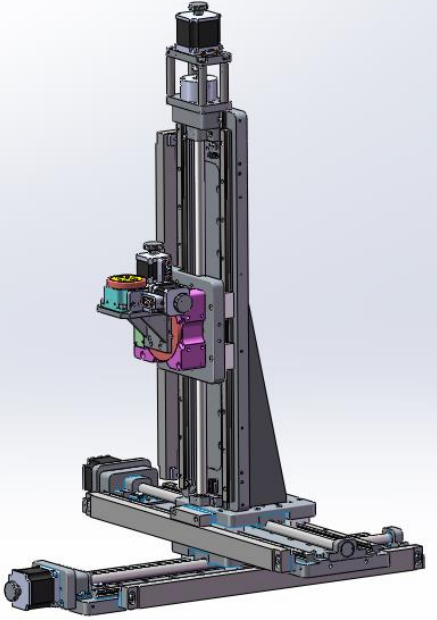
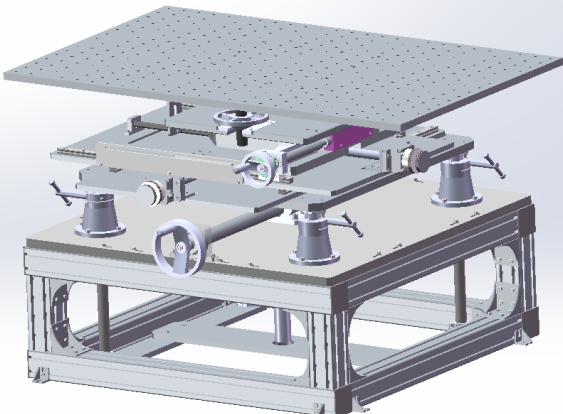
Customized Precision Combined Motion Stages

<p>1607027-WWXTA</p>	<p>Manual 5D</p>	<p>Travel X: 200mm; Y: 200mm; Z: 200mm; θ_z: 360° ; θ_y: $\pm 50^\circ$; Max. Load: 20kg; Top Platform size: 210x140mm; Overall size: 1140x662x900</p>	
<p>1704048-WWXTA</p>	<p>Motorized 5D</p>	<p>Travel X: 200mm; Y: 200mm; Z: 12mm; θ_z: 360° ; θ_x: $\pm 10^\circ$; Max. Load: 10kg; Top Platform size: 120x130mm; Overall size: 525.5x525.5x335</p>	

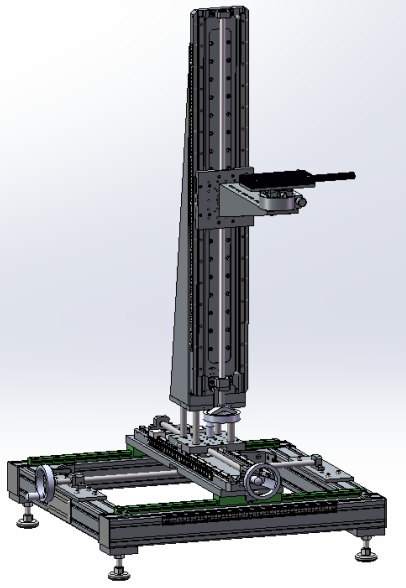
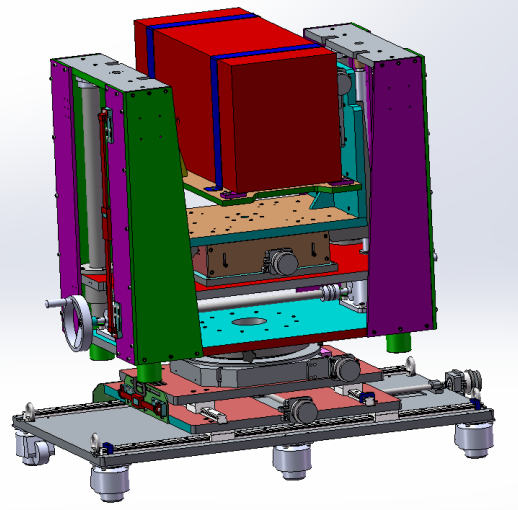
Customized Precision Combined Motion Stages

<p>1510084-WWXT</p>	<p>Motorized 5D</p>	<p>Travel X: 200mm; Y: 30mm; Z: 30mm; θ_y: 360° ; θ_x 转: $\pm 10^\circ$; Max. Load: 4kg。 Top Platform size: 65x65mm; Overall size: 459x223x338</p>	
<p>2009139-WWTZA</p>	<p>Motorized 5D</p>	<p>Travel X: 300mm; Y: 300mm; Z: 200mm; θ_z: 360° ; θ_x: $\pm 5^\circ$; Max. Load: 80kg; Top Platform size: 600x600; Overall size: 714x711x775</p>	

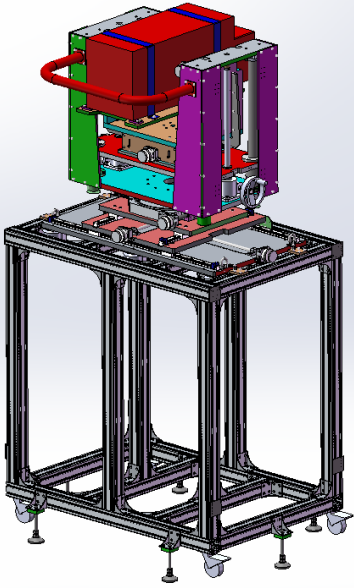
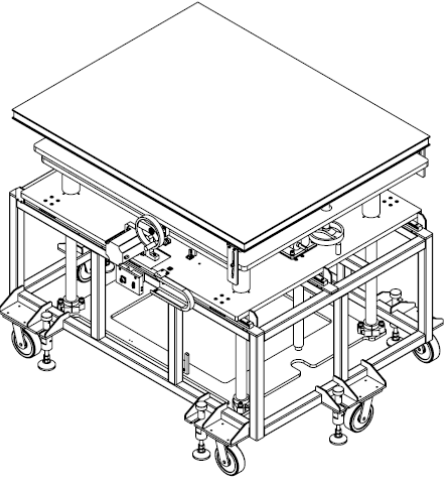
Customized Precision Combined Motion Stages

<p>1807051-WWTZ</p>	<p>Motorized 5D</p>	<p>Travel X: 400mm; Y: 400mm; Z: 400mm; θ_x : 360° ; θ_z : 360° ;</p> <p>Max. Load: 20kg; Top Platform size: ϕ 160; Overall size: 711x711x913mm</p>	
<p>1409089-WWXTM1</p>	<p>Manual 5D</p>	<p>Travel X: 400mm; Y: 400mm; Z: 300mm; θ_x: 10° ; θ_y: $\pm 5^\circ$;</p> <p>Max. Load: 200kg; Top Platform size: 1300x800mm; Overall size: 1377x1267x1200mm</p>	

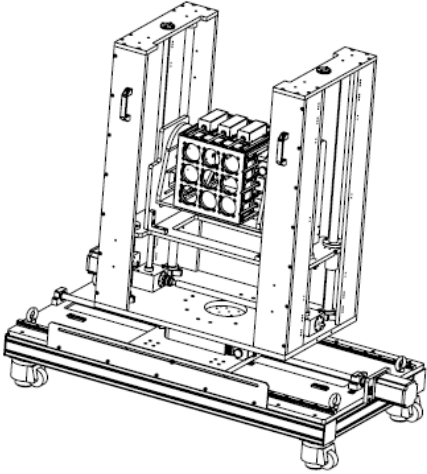
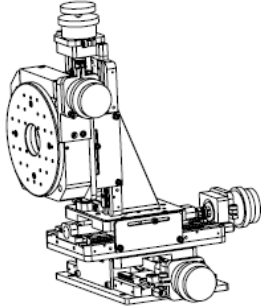
Customized Precision Combined Motion Stages

<p>1407058-WWXTM</p>	<p>Manual 5D</p>	<p>Travel X: 500mm; Y: 500mm; Z: 850mm; θ_z: 360° ; θ_y: $\pm 15^\circ$; Max. Load: 2kg; Top Platform size: 85x186; Overall size: 964x910x1510mm</p>	
<p>2311004-WWT</p>	<p>Manual 5D</p>	<p>Travel X: 500mm, 0.001mm; Y: 200mm, 0.001mm; Z: 500mm, 0.001mm; θ_z: 360° , 2 " θ_x: $\pm 27^\circ$, 2 " Max. Load: 100Kg; Overall size: 1265x900x1166</p>	

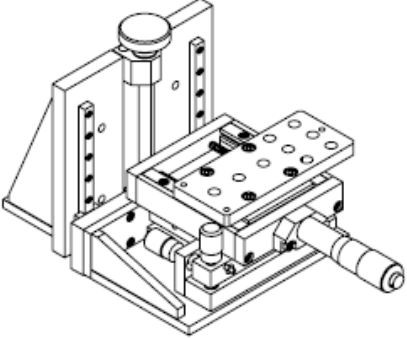
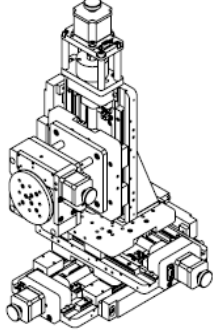
Customized Precision Combined Motion Stages

<p>1908013-WWT</p>	<p>Manual 5D</p>	<p>Travel</p> <p>X: 500mm; Y: 200mm; Z: 500mm; θ_z: 360° ; θ_x: $\pm 27^\circ$;</p> <p>Max. Load: 100Kg; Overall size: 1555x1155x2738mm</p>	
<p>2209041-SWTZT</p>	<p>4D (Manual + Motorized)</p>	<p>Travel</p> <p>Z: 500mm (motorized) X: 200mm (motorized) θ_x: $\pm 3^\circ$ (manual) θ_y: $\pm 3^\circ$ (manual)</p> <p>Max. Load: 300kg; Top Platform size: 1200x1500; Overall size: 1370x1895x1294</p>	

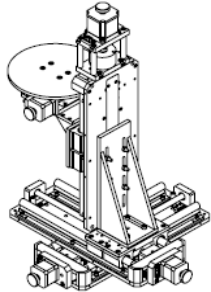
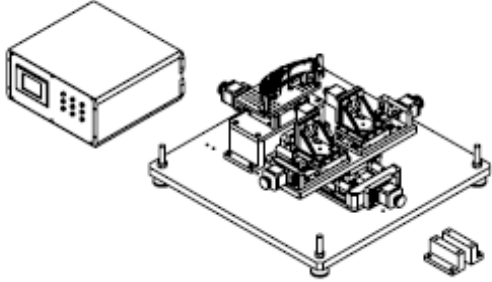
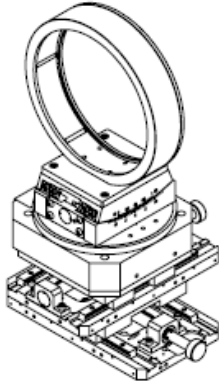
Customized Precision Combined Motion Stages

<p>2302009-SWTZA</p>	<p>Laser tube adjustment stage (4D)</p>	<p>Travel X: 800mm; Y: 800mm; $\theta_y: \pm 3^\circ$; $\theta_z: \pm 3^\circ$; Max. Load: 15kg; Top Platform size: 424x260; Overall size: 1446x700x1345</p>	
<p>2011028-SWTZ</p>	<p>Manual 4D</p>	<p>Travel X: 50mm; Y: 50mm; Z: 50mm; $\theta_z: 360^\circ$; Max. Load: 5kg; Top Platform size: $\phi 200$; Overall size: 420.1x365x505.5</p>	

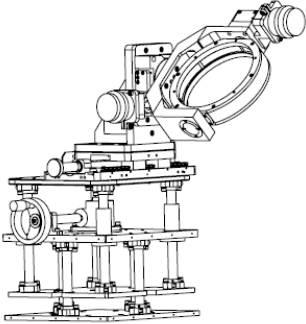
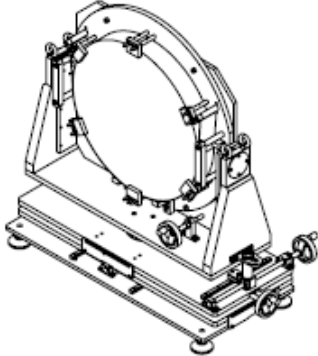
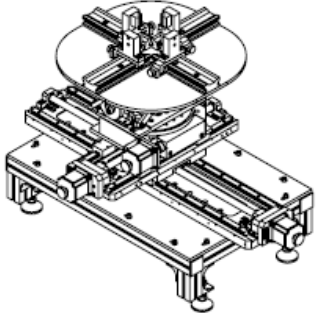
Customized Precision Combined Motion Stages

<p>1606080-SWXTM</p>	<p>Manual 4D</p>	<p>Travel Z: 50mm; X: 25mm; $\theta_z: \pm 2.5^\circ$; $\theta_x: \pm 2.5^\circ$; Max. Load: 3kg; Top Platform size: 45x105mm; Overall size: 260x142x134mm</p>	
<p>1612052-SXTA</p>	<p>Motorized 4D</p>	<p>Travel X: 50mm; Y: 50mm; Z: 100mm; $\theta_z: 360^\circ$; translation stage complete with grating rulers; Rotation stage complete with encoder; Max. Load: 20kg; Top Platform size: $\phi 100$ mm; Overall size: 346x396x579mm</p>	

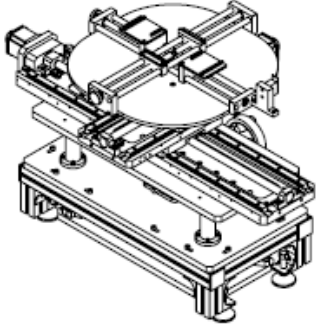
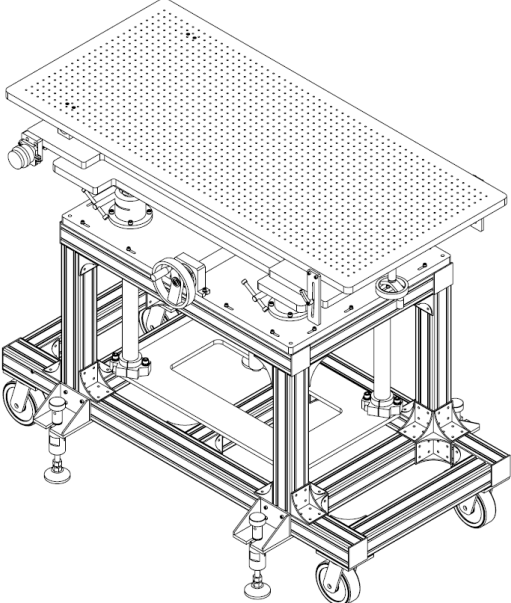
Customized Precision Combined Motion Stages

1502020-SWTZXT	Motorized 4D	<p>Travel</p> <p>X: 200mm; Y: 200mm; Z: 200mm; θ_z: 360° ;</p> <p>Max. Load: 20kg; Top Platform size: ϕ 200mm; Overall size: 460x489.5x680mm</p>	
1805073-SWTZ	Motorized 4D	<p>Travel</p> <p>X1: 30mm, X2: 30mm; Y: 100mm; θ_z: 360° ;</p> <p>Top Platform size: 98x180; Overall size: 550x550x232</p>	
1312049-SWTZ	4D	<p>Travel</p> <p>X: 50mm。 Y: 50mm。 θ_z: 360° ; θ_y: $\pm 10^\circ$;</p> <p>Mirror Dia. 230mm, thickness 40mm; Max. Load: 50kg; Overall size: 312x305x505</p>	

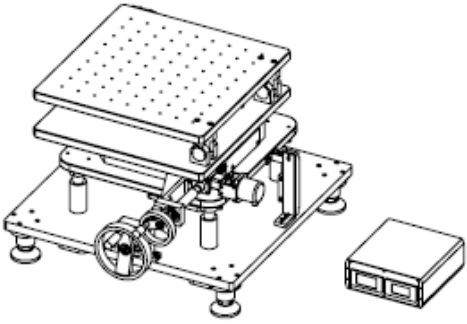
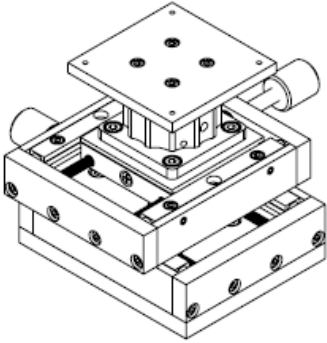
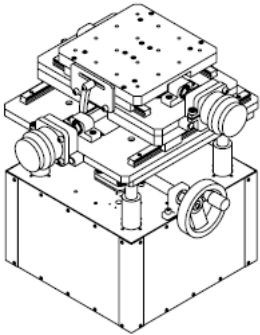
Customized Precision Combined Motion Stages

<p>1808075-SWJJ</p>	<p>Manual 4D</p>	<p>Travel Z: 50mm。 X: 100mm。 θ_z: 360° ; θ_x: 360° ; Mirroe Dia. 200mm, thickness 20mm; Overall size: 649.5x405.5x700</p>	
<p>1507047-SWTJJJ</p>	<p>4D mirror adjustment</p>	<p>Travel X: 100mm。 Y: 100mm。 θ_x: $\pm 10^\circ$; θ_z: $\pm 5^\circ$; Mirror Dia. 630mm, thickness 80mm; Max. Load: 150kg; Overall size: 1122x613x1504mm</p>	
<p>1411050-HGQTZXT</p>	<p>Current Transformer Adjustment Stage (4D)</p>	<p>Travel X: 500mm; Y: 200mm; Z: 120mm; θ_z: 360° ; Max. Load: 20kg; Top Platform size: 400x400; Overall size: 831x516x615.5</p>	

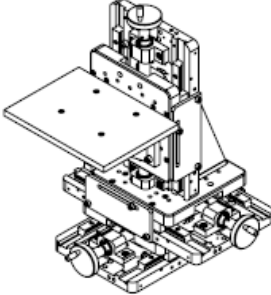
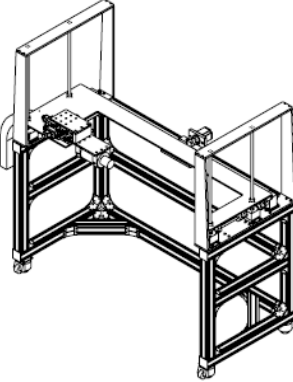
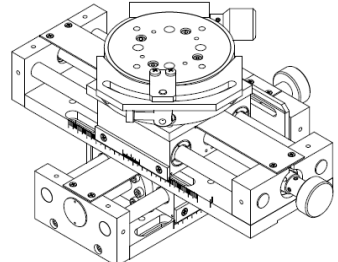
Customized Precision Combined Motion Stages

<p>1506001-HGQTZXT</p>	<p>Current Transformer Adjustment stage</p>	<p>Travel X: 500mm; Y: 200mm; Z: 245mm; $\theta_z : 360^\circ$; Max. Load: 20kg; Top Platform size: 400x400; Overall size: 831x534.3x520</p>	
<p>2209041-SWXTM</p>	<p>Manual 3D</p>	<p>Travel Z: 400mm $\theta_y \pm 3^\circ$ $\theta_x \pm 3^\circ$. Max. Load: 150kg. Top Platform size: 1500x700 Overall size: 1500x940x1254</p>	

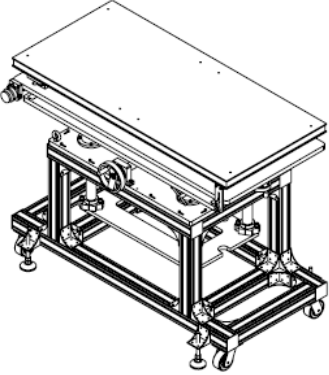
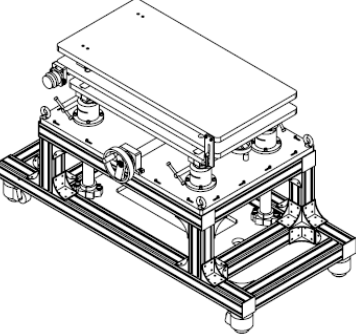
Customized Precision Combined Motion Stages

<p>1712096-SWTZ</p>	<p>Manual 3D</p>	<p>Travel Z: $\pm 10\text{mm}$; θ_x: $\pm 10^\circ$ 。 θ_y: $\pm 10^\circ$ 。 Top Platform size: 520x520mm; Overall size: 700x882x510mm</p>	
<p>1511106-SWXTM</p>	<p>Manual 3D</p>	<p>Travel X: 12.5mm; Y: 12.5mm; Z: 10mm; Max. Load: 6kg; Top Platform size: 60x60mm; Overall size: 134x134x95</p>	
<p>1612004-SWXTM</p>	<p>Manual 3D</p>	<p>Travel Z: 50mm; X: 100mm; Y: 50mm; Max. Load: 30kg; Top Platform size: 200x200mm; Overall size: 440x415x478</p>	

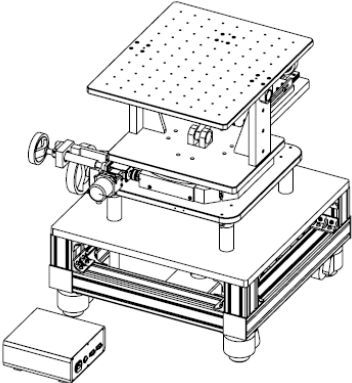
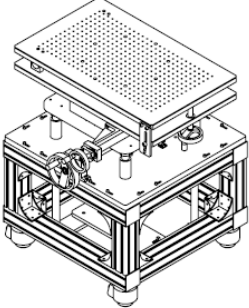
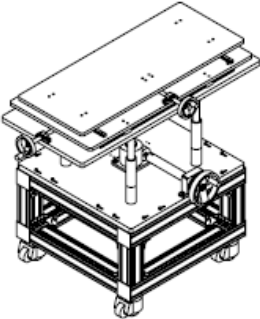
Customized Precision Combined Motion Stages

1708063-SWPYTM	Manual 3D	<p>Travel</p> <p>X: 50mm; Y: 50mm; Z: 50mm;</p> <p>Max. Load: 20kg;</p> <p>Top Platform size: 150x200mm; Overall size: 368x320x490mm</p>	
1508059-SWXTA	Motorized 3D	<p>Travel</p> <p>X: 50mm; Y: 50mm; Z: 600mm;</p> <p>Max load: 50kg;</p> <p>Top Platform size: 160x220mm; Overall size: 2231x1050x1951mm</p>	
1011022-SWXT	Manual 3D	<p>Travel</p> <p>X: 100mm; Y: 50mm; $\theta_z : 90^\circ$;</p> <p>Max. Load: 15kg;</p> <p>Top Platform size: $\phi 82$mm; Overall size: 240x290x142mm</p>	

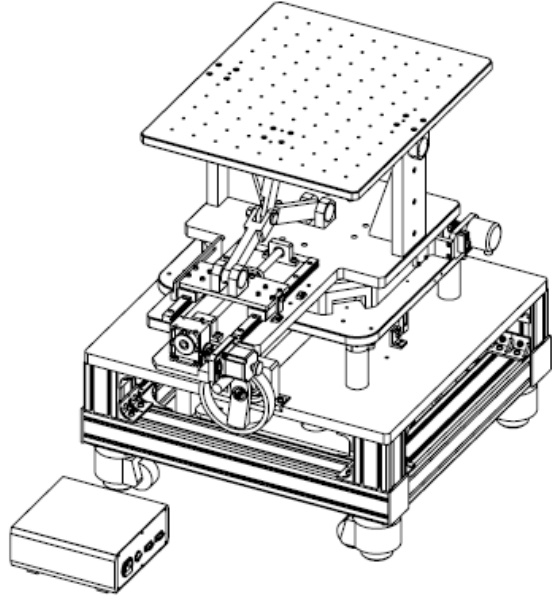
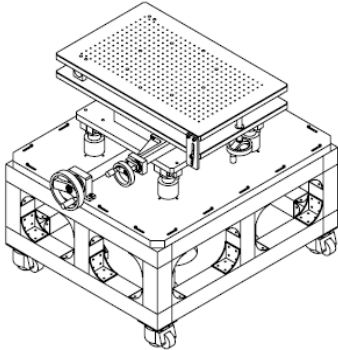
Customized Precision Combined Motion Stages

<p>1602005-SWXTM</p>	<p>Manual 3D</p>	<p>Travel Z: 200mm; $\theta_x: \pm 2^\circ$; $\theta_y: \pm 2^\circ$; Max. Load: 150kg; Top Platform size: 1500x700mm; Overall size: 1500x868x1380</p>	
<p>1806031-SWXTM</p>	<p>Manual 3D</p>	<p>Travel Z 200mm; $\theta_z: \pm 3^\circ$; $\theta_x \pm 3^\circ$; Max. Load: 100Kg; Top Platform size: 500x1000; Overall size: 1500x700x889</p>	

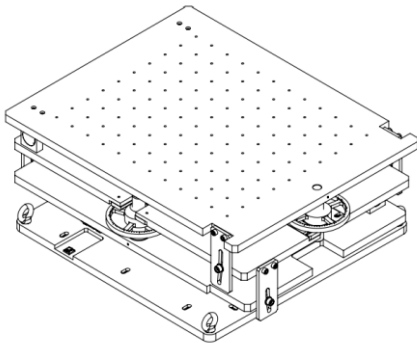
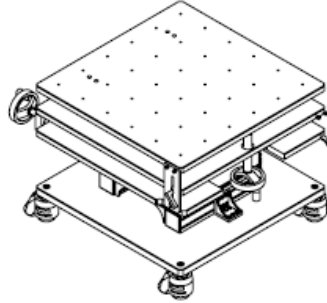
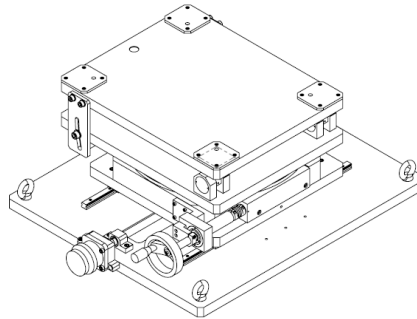
Customized Precision Combined Motion Stages

<p>1806002-SWTZ</p>	<p>Manual 3D</p>	<p>Travel Z: 200mm; θ_z: 360° ; θ_y: $\pm 30^\circ$; Max. Load: 100Kg; Top Platform size: 500x600; Overall size: 836.8x919.8x842</p>	
<p>1606104-SWXT</p>	<p>Manual 3D</p>	<p>Travel Z: 200mm; θ_z: 360° ; θ_x: $\pm 2^\circ$; Max. Load: 150kg; Top Platform size: 500x800mm; Overall size: 708x700x1316</p>	
<p>1704076-SWXTM</p>	<p>Manual 3D</p>	<p>Travel Z: 200mm X: ± 50mm, Y: ± 100mm, Max. Load: 50kg; Top Platform size: 400x1000mm; Overall size: 1257x848x1100mm</p>	

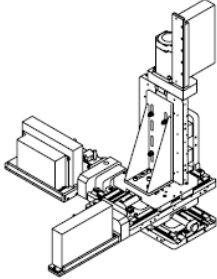
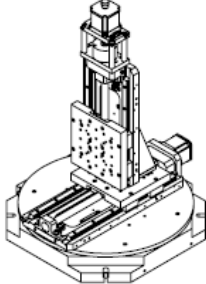
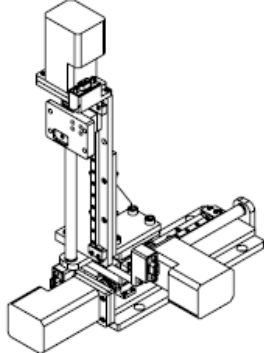
Customized Precision Combined Motion Stages

<p>1905130-SWTZ</p>	<p>Motorized 3D</p>	<p>Travel Z: 200mm; θ_z: 360° ; θ_x: $\pm 20^\circ$; Max. Load: 100Kg; Top Platform size: 600x500; Overall size: 700x952x843</p>	
<p>1409076-SWXTM</p>	<p>Manual 3D</p>	<p>Travel Z: 400mm; θ_z: 90° ; θ_x: $\pm 1^\circ$; Max. Load: 200kg; Top Platform size: 500x800mm; Overall size: 1000x840x1300</p>	

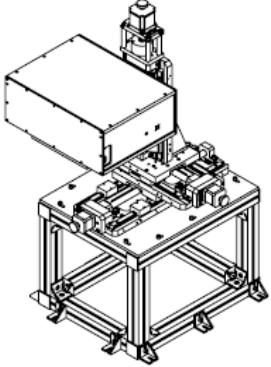
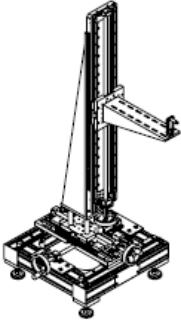
Customized Precision Combined Motion Stages

<p>2008018-SWTZ</p>	<p>Manual 3D</p>	<p>Travel $\theta_z: 360^\circ$; $\theta_x: \pm 3^\circ$; $\theta_y \pm 3^\circ$; Max. Load: 100kg; Top Platform size: 600x750mm; Overall size: 640x750x295mm</p>	
<p>1510021-SWXTM</p>	<p>Manual 3D</p>	<p>Travel $\theta_z: \pm 90^\circ$; $\theta_x: \pm 6^\circ$; $\theta_y: \pm 6^\circ$; Top Platform size: 600x600; Overall size: 810.2x655.5x468.8</p>	
<p>1902059-SWXTM</p>	<p>Manual 3D</p>	<p>Travel X: 100mm $\theta_y: \pm 10^\circ$ $\theta_x: \pm 3^\circ$ Max. Load: 100kg; Top Platform size: 400x490mm; Overall size: 785x635x267</p>	

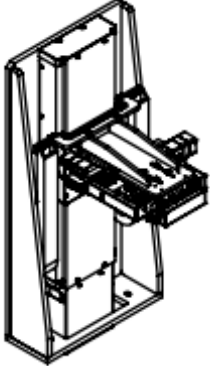
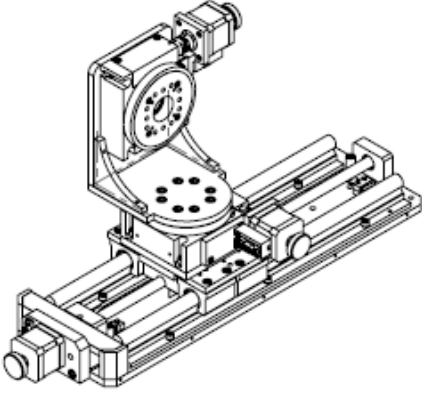
Customized Precision Combined Motion Stages

<p>1611065-SWXTA</p>	<p>Motorized 3D</p>	<p>Travel X: 100mm, Y: 100mm; Z: 50mm; Max. Load: 30kg; Top Platform size: 100x100mm; Overall size: 576x576x649.5</p>	
<p>1202027-SWXTA</p>	<p>Motorized 3D</p>	<p>Travel X: 150mm; Z: 100mm; θ_z: 360° ; Max. Load: 8kg; Top Platform size: 160x160mm; Overall size: 468x439x622.5</p>	
<p>1610036-DDSWPYT</p>	<p>Motorized 3D</p>	<p>Travel X: 150mm, Y: 40mm; Z: 150mm; Max. Load: 20kg; Top Platform size: 45x60mm; Overall size: 320.3x200.8x385.8</p>	

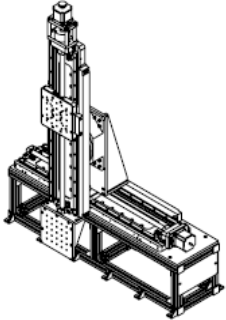
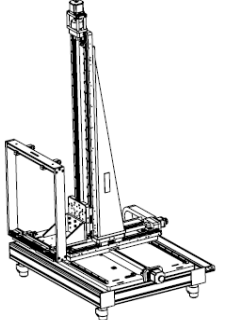
Customized Precision Combined Motion Stages

<p>1412058-SWXT</p>	<p>Motorized 3D</p>	<p>Travel X: 200mm; Y: 100mm; Z: 100mm; Max. Load: 20kg; Top Platform size: Dark chamber; Overall size: 533x434x948.5</p>	
<p>1407058-SWXTM</p>	<p>Manual 3D</p>	<p>Travel X: 250mm; Y: 250mm; Z: 850mm; Max. Load: 2kg; Top Platform size: 90x380; Overall size: 594x813x1504mm</p>	

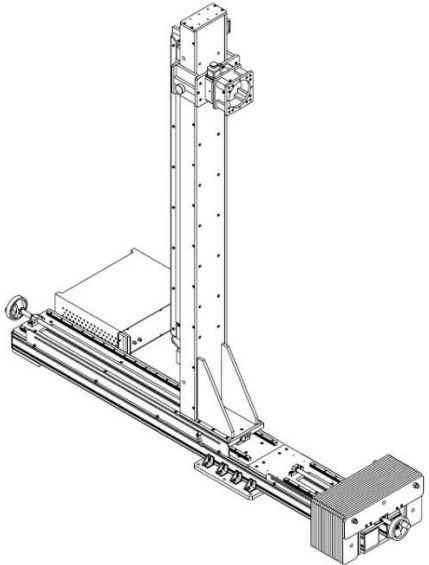
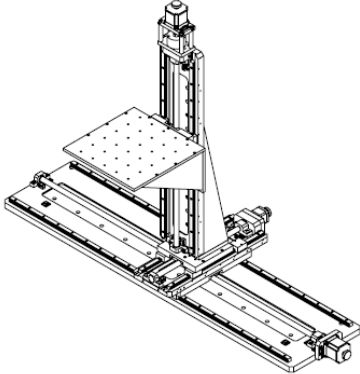
Customized Precision Combined Motion Stages

<p>2003015-SWTZ</p>	<p>Motorized 3D</p>	<p>Travel X: 300mm; Y: 30mm; Z: 30mm; Max. Load: 20kg; Top Platform size: 110x110mm; Overall size: 348x320x710mm</p>	
<p>1508022-SWXTA</p>	<p>Motorized 3D</p>	<p>Travel X: 300mm; θ_z: 360° ; θ_y: 360° ; Max. Load: 20Kg; Top Platform size: ϕ 100mm; Overall size: 560x218x307mm</p>	

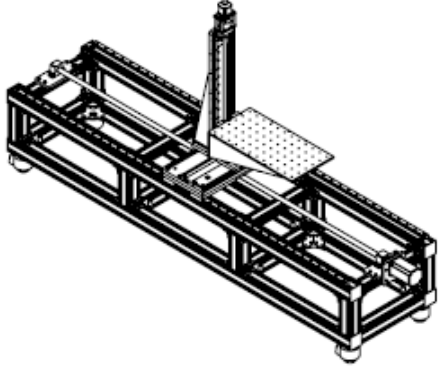
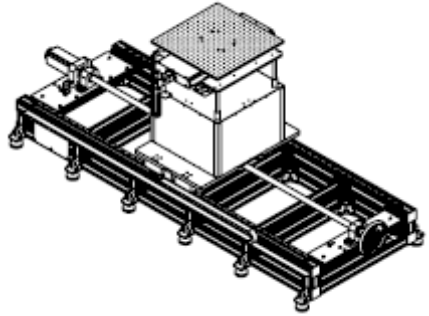
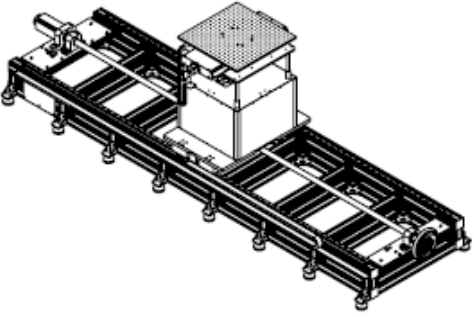
Customized Precision Combined Motion Stages

<p>1709119-SWTZA</p>	<p>Motorized 3D</p>	<p>Travel X: 500mm; Z: 500mm; $\theta_y: \pm 180^\circ$; X, Y axis equipped with grating ruler; Overall size: 850x322x1120mm</p>	
<p>1806057-SWTZ</p>	<p>Motorized 3D</p>	<p>Travel X: 600mm; Y: 300mm; Z: 850mm; Max. Load: 20kg; Top Platform size: $\phi 160$; Overall size: 912x770x1533mm</p>	

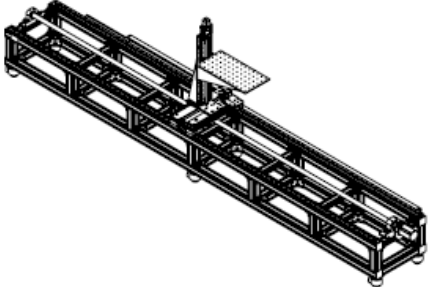
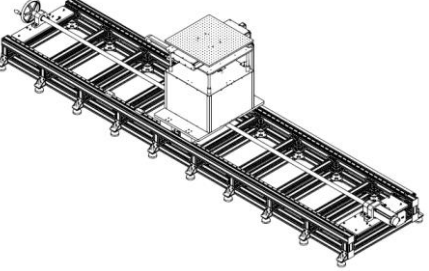
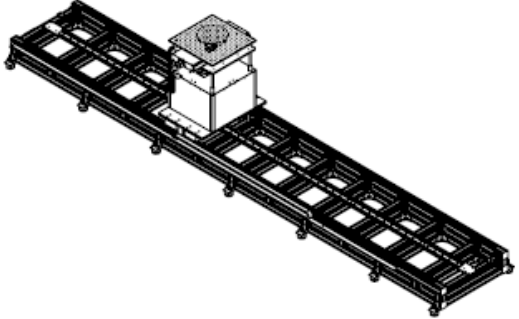
Customized Precision Combined Motion Stages

<p>2105064-SWTZ</p>	<p>Manual 3D</p>	<p>Travel Z: 1180mm (: 620mm~1800mm); X: 1000mm; θx : 360° ; Rotation speed 360° /15s; Repeatability: >0.1mm; Resolution of rotaion: 5" Max. Load: 5Kg; Top Platform size: 300x300mm Overall size: 2244x450x2093mm</p>	
<p>1602031-SWXTA</p>	<p>Motorized 3D</p>	<p>Travel X: 1000mm; Y: 200mm; Z: 500mm; Max. Load: 35kg; Top Platform size: 300x300mm; Overall size: 1311x716x1049mm</p>	

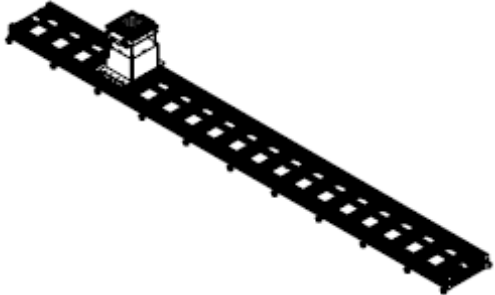
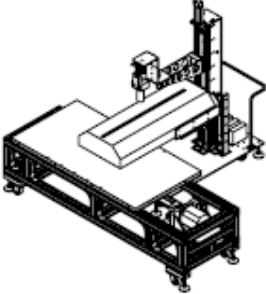
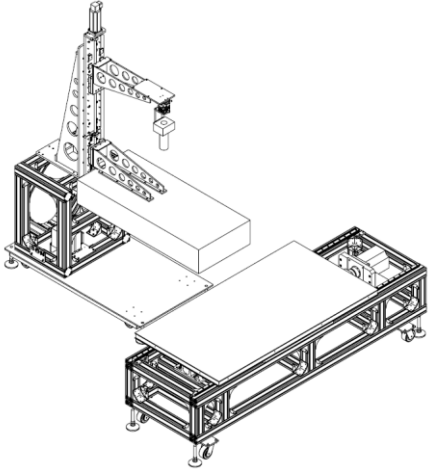
Customized Precision Combined Motion Stages

<p>1605032-SWXTA</p>	<p>Motorized 3D</p>	<p>Travel X: 2000mm, Y: 300mm, Z: 500mm。 Max. Load: 20Kg; Top Platform size: 300x600; Overall size: 2616x610x1511mm</p>	
<p>1507014-SWXT1</p>	<p>Manual 3D</p>	<p>Travel X: 2000mm; Y: 500mm; Z: 250mm; Max. Load: 20kg; Top Platform size: 600x600mm; Overall size: 2943x1117x1218mm</p>	
<p>1507014-SWXT2</p>	<p>Manual 3D</p>	<p>Travel X: 3000mm; Y: 500mm; Z: 250mm; Max. Load: 20kg; Top Platform size: 600x600mm; Overall size: 3946x1117x1218mm</p>	

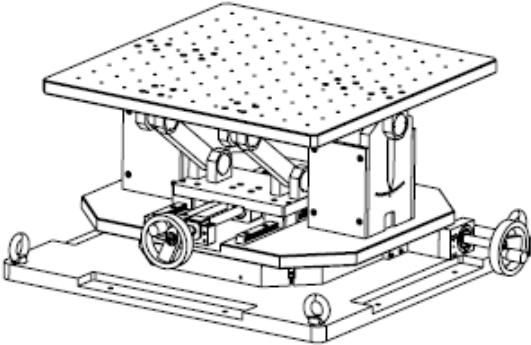
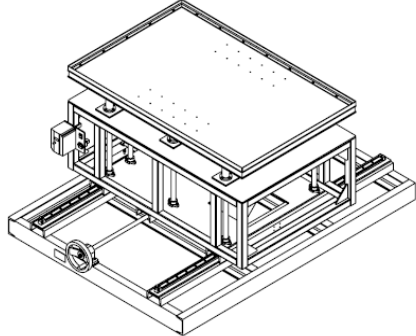
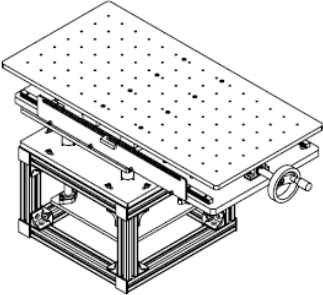
Customized Precision Combined Motion Stages

<p>1803065-SWXTA</p>	<p>Motorized 3D</p>	<p>Travel X: 4000mm, Y: 300mm, Z: 500mm。 Max. Load: 20Kg; Top Platform size: 300x600; Overall size: 4550x610x1545mm</p>	
<p>1507014-SWXT3</p>	<p>Manual 3D</p>	<p>Travel X: 4000mm; Y: 500mm; Z: 250mm; Max. Load: 20kg; Top Platform size: 600x600mm; Overall size: 4946x1117x1218mm</p>	
<p>1409017-SWXTA5</p>	<p>Motorized 3D</p>	<p>Travel X: 5000mm; Y: 500mm; Z: 300mm; Max. Load: 20kg; Top Platform size: 600x600mm; Overall size: 5980x1092x1200mm</p>	

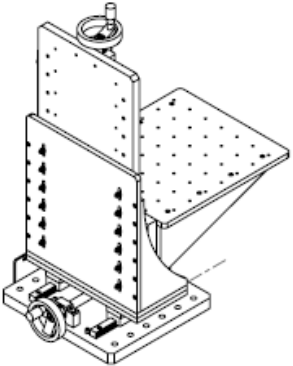
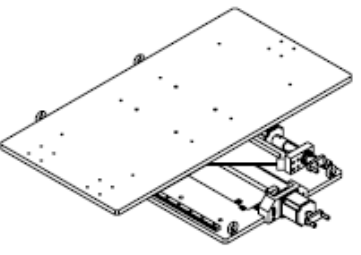
Customized Precision Combined Motion Stages

<p>1409017-SWXTA10</p>	<p>Motorized 3D</p>	<p>Travel X: 9000mm; Y: 500mm; Z: 300mm; Max. Load: 20kg; Top Platform size: 600x600mm; Overall size: 9913x1092x1200mm</p>	
<p>1612087-XSW</p>	<p>3D Scanning System</p>	<p>Scanner working height: 1779~2619mm; Height between lamp and platform: 0~200mm; Height between camera lens and platform: 498mm~1638mm; Initial height of Scanner ≤1800mm; Overall size: 24900x2348.4x1951.1</p>	
<p>1610026-SWTZTT</p>	<p>Motorized 3D</p>	<p>Travel Z1: 700mm, Servo motor; Z2: 160mm, Servo motor; Y: 25mm, (manual) θz: 360°, (manual) θy: ±15°, (manual) θx: ±15°, (manual) Platform: Travel of Y axis: 1500mm, Servo motor; Top Platform size: 900x1700mm; Overall size: 2450x2982x2512mm</p>	

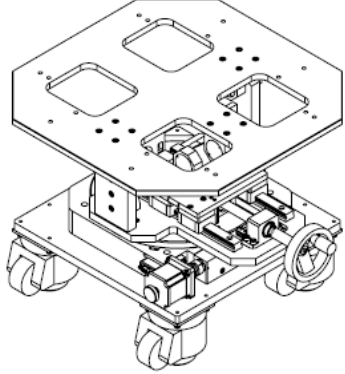
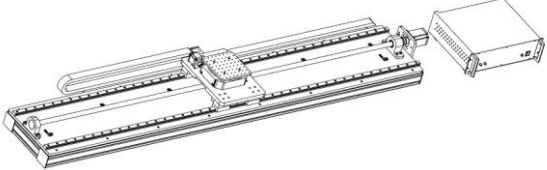
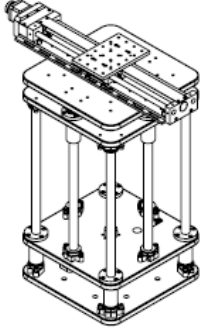
Customized Precision Combined Motion Stages

<p>2403015-EWTZM</p>	<p>Manual 2D Stage</p>	<p>Travel $\theta_x: \pm 15^\circ$ $\theta_z: 360^\circ$ Max. Load: 100kg; Top Platform size: 600x600mm; Overall size: 700x700x373mm</p>	
<p>1706085-EWTZ</p>	<p>Manual 2D Stage</p>	<p>Travel Z-axis: 400mm, Motorized or manual; X-axis 1020mm, Manual; Max. Load: 300kg; Top Platform size: 900x1500; Overall size: 1500x1623x1373</p>	
<p>1507047-EWXTM1</p>	<p>Manual 2D Stage</p>	<p>Travel Z: 100mm; X: 500mm; Max. Load: 50kg; Top Platform size: 800x400mm; Overall size: 910x400x500mm</p>	

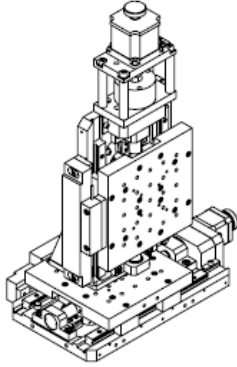
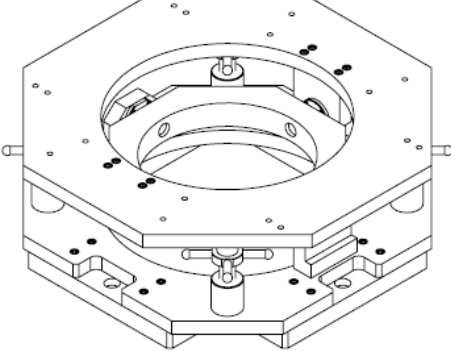
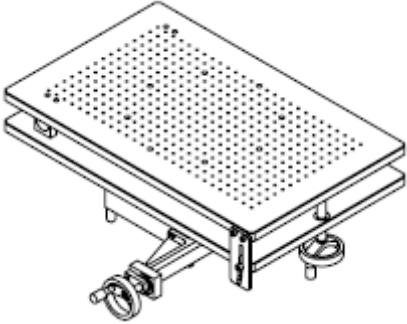
Customized Precision Combined Motion Stages

<p>1507047-EWXTM2</p>	<p>Manual 2D</p>	<p>Travel Z: 400mm; X: 100mm; Max. Load: 50kg; Top Platform size: 350x400mm; Overall size: 657x360x812</p>	
<p>1102029-2WTZT</p>	<p>Manual 2D</p>	<p>Travel X: 500mm; $\theta_z: \pm 10^\circ$; Max. Load: 230kg; Top Platform size: 600x1200mm; Overall size: 1190x1200x170mm</p>	

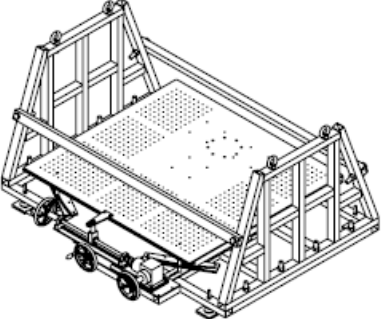
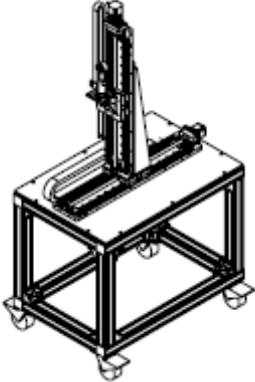
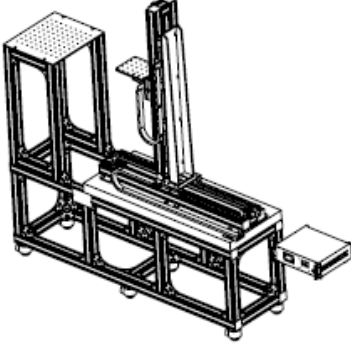
Customized Precision Combined Motion Stages

<p>2109084-EWXT</p>	<p>2D Stage</p>	<p>Adjustable range of each axis $\pm 15^\circ$; Max. Load: 50kg; Top Platform size: 500x500mm; Overall size: 629x500x390mm</p>	
<p>2212004G-EWTZ</p>	<p>Motorized 2D stage (Long travel)</p>	<p>Travel X: 2000mm, Speed: 20mm/s; θ_x: 360° Max. Load: 10kg. Top Platform size: 200x200mm; Overall size: 2666x476x255mm</p>	
<p>1602041-EWXTA</p>	<p>Motorized 2D stage</p>	<p>Travel Z: 300mm ; X: 300mm; Max. Load: 5kg; Top Platform size: 150x100mm; Overall size: 559x300x915mm</p>	

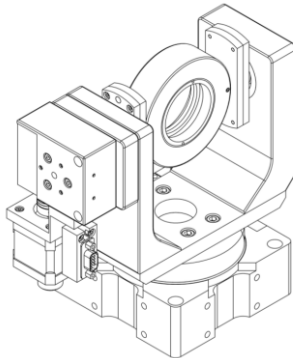
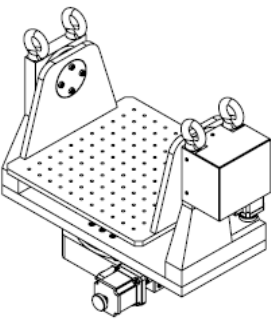
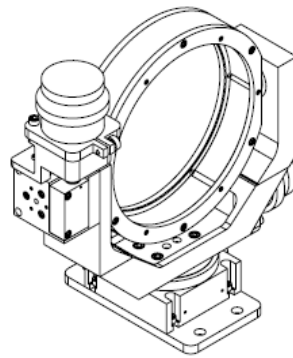
Customized Precision Combined Motion Stages

<p>1508001-EWXT</p>	<p>2D stage</p>	<p>Complete with grating rulers; X: 50mm; Z: 50mm,; Max. Load: 20kg; Top Platform size: 160x160mm; Overall size: 346x191x523mm</p>	
<p>2109084-EWQXM1</p>	<p>Manual 2D stage</p>	<p>Adjustment range $\pm 5^\circ$ for each axis; Max. Load: 50kg; Top Platform size: 500x500mm; Overall size: 500x500x175mm</p>	
<p>1409076-LWXTM</p>	<p>Manual 2D Stage</p>	<p>θ_z: 90°; θ_x: 1°; Max. Load: 50kg; Top Platform size: 800x500mm; Overall size: 825x765x264mm</p>	

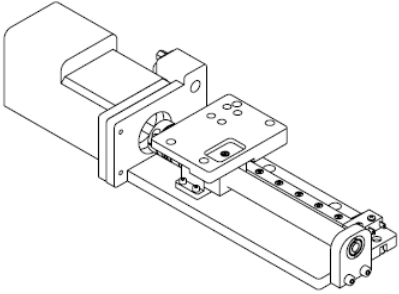
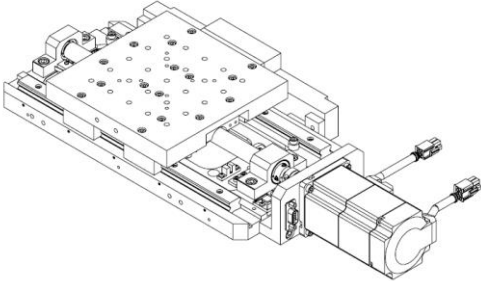
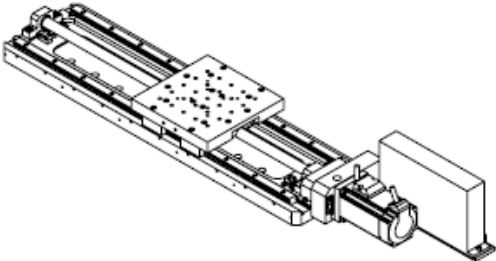
Customized Precision Combined Motion Stages

1412058-EWXT	2D stage	<p>Translation travel: 800mm; Rotational angle: $\pm 10^\circ$; Max. Load: 800kg; Top Platform size: 1900x1750mm; Overall size: 2550x2259x1277mm</p>	
2207028-EWTZT	Motorized 2D stage	<p>Travel X: 600mm; Z: 600mm; Max. Load: 2kg; Top Platform size: 100x100mm; Overall size: 900x600x1811mm</p>	
1704012-LWTZ	2D Stage	<p>Travel X: 1200mm; Z: 1200mm; Max. Load: 10Kg; Top Platform size: 230x300mm; Overall size: 2250x600x2582mm</p>	

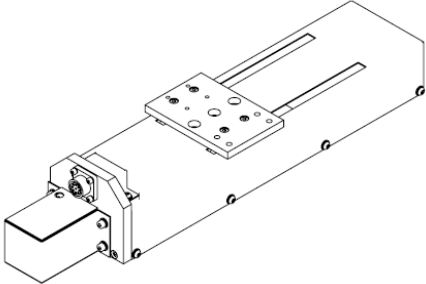
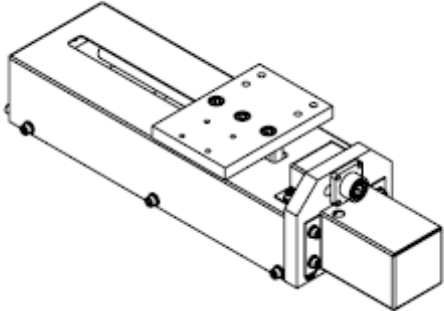
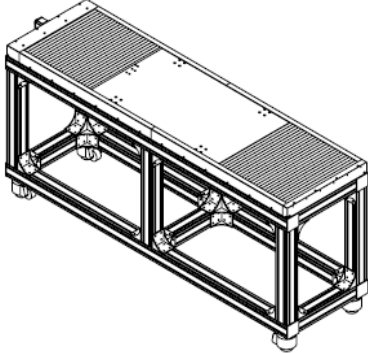
Customized Precision Combined Motion Stages

<p>2006001-XZJJ</p>	<p>Motorized 2D mirror adjustment frame</p>	<p>$\theta_z: 360^\circ$; $\theta_x: 360^\circ$; Mirror size: Dia. 50.8mm, Thickness 4mm ; Overall size: 245x130x210mm</p>	
<p>1812118-EWMZ</p>	<p>2D space adjustment frame</p>	<p>$\theta_z: 0^\circ \sim 360^\circ$; $\theta_x: -50^\circ \sim +50^\circ$; Repeatability: 0.01° ; Max. Load: 20kg; Top Platform size: 300x300; Overall size: 481x300x388mm</p>	
<p>1506049-7MMRA1200</p>	<p>2D Mirror Frame</p>	<p>Travel: $\theta_x: 360^\circ$; $\theta_y: \pm 180^\circ$; Max. Load: 50kg; Max. clamping Dia. $\phi 200$; Overall size: 390x176x360mm</p>	

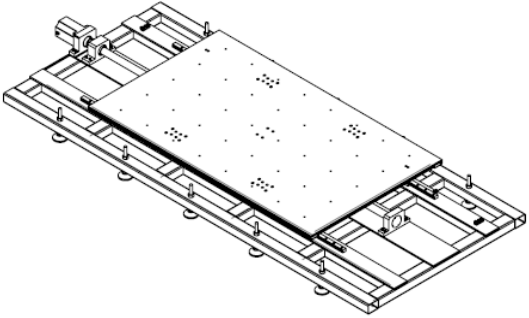
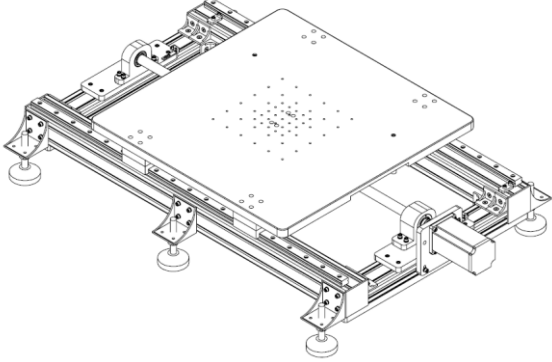
Customized Precision Combined Motion Stages

<p>1610036-7STA1375</p>	<p>Motorized Translation Stage</p>	<p>Travel 75mm; Max. Load: 20kg; Top Platform size: 45x60mm; Overall size: 248.3x70x52.5</p>	
<p>1606035-7STA08100B</p>	<p>Motorized Translation Stage</p>	<p>Modified on the basis of Model 7STA08100B, replaced with Servo motor Travel: 100mm; Max. Load: 30kg; Top Platform size: 160x160mm; Overall size: 466x191x58mm</p>	
<p>1606024-7STA02400</p>	<p>Motorized translation stage</p>	<p>Modified on the basis of Model 7STA02400B, replace with Servo motor Travel: 400mm; Max. Load: 50kg; Top Platform size: 160x160mm; Overall size: 879x160x129.5</p>	

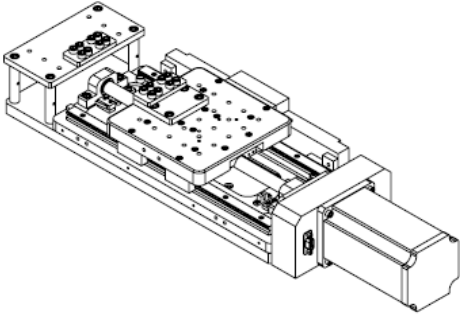
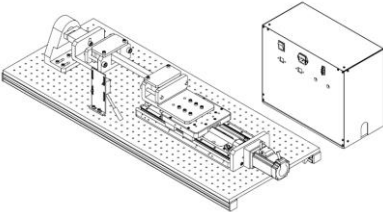
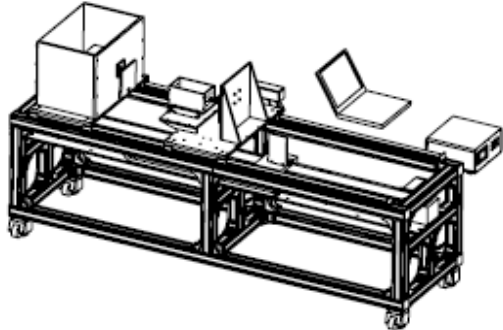
Customized Precision Combined Motion Stages

<p>1507104-7STA10100</p>	<p>Motorized translation stage (vacuum application)</p>	<p>Ultimate vacuum pressure 10^{-5}Pa; Travel: 100mm; Max. Load: 10kg; Top Platform size: 70x103mm; Overall size: 450.8x107.8x82</p>	
<p>1505030-7STA01150A</p>	<p>Motorized translation stage (vacuum application)</p>	<p>Ultimate vacuum pressure 10^{-5}Pa; Travel: 150mm; Max. Load: 7Kg; Top Platform size: 70x103mm; Overall size: 354.6x103x80.5</p>	
<p>1602041-7STA16800</p>	<p>Motorized Translation Stage</p>	<p>Travel: 800mm ; Max. Load: 50kg; Top Platform size: 900x500mm; Overall size: 2058x570x904</p>	

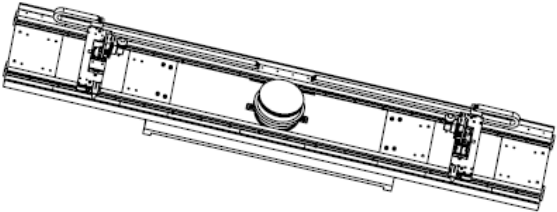
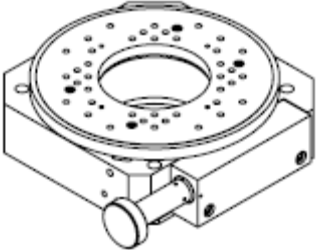
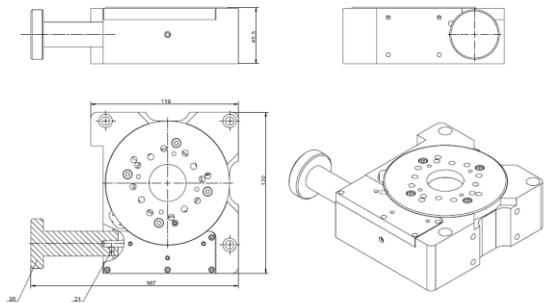
Customized Precision Combined Motion Stages

<p>1508030-STA1000</p>	<p>Translation stage</p>	<p>Travel: 1000mm; Max. Load: 600kg; Top Platform size: 1700x1000mm; Overall size: 2930x1200x256.6</p>	
<p>2201050-7STA</p>	<p>Motorized Translation Stage</p>	<p>Travel: 500mm; Max. Load: 100kg; Top stage size: 700x700mm; Overall size: 1320x825x266mm</p>	

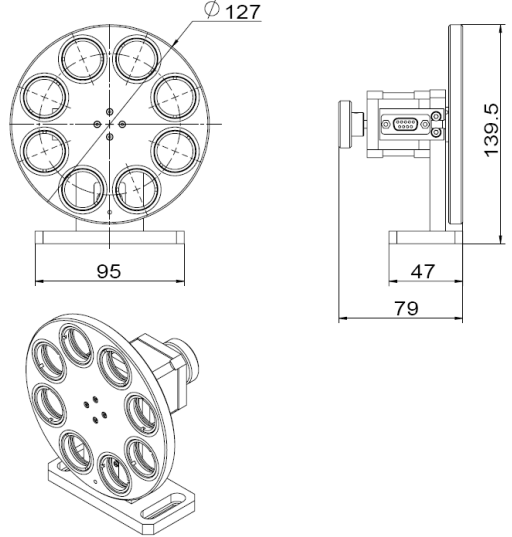
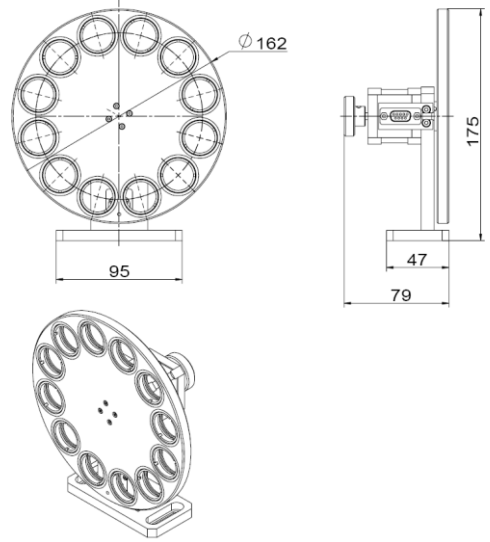
Customized Precision Combined Motion Stages

<p>1806116-7STA08150B</p>	<p>Tensile Test Stage</p>	<p>Stroke: 150mm; Equipped with grating ruler Max. tensile force: 50kgf; Overall size: 643x191x81mm</p>	
<p>1705015-LSCLSXT</p>	<p>Tensile Test Stage</p>	<p>X Stroke: 200mm; Central load: 50Kg; Load cell capacity: 5Kgf~100Kgf; Overall size: 400x1000x183mm</p>	
<p>1705054-PZCSXT</p>	<p>Collision Test System</p>	<p>Motor speed 0.2-5m/s (adjustable); Overall size: 620x2200x1080mm</p>	

Customized Precision Combined Motion Stages

1703046-HTPYT	Long travel Translation Stage	Overall size: 2800x532x324	
1511083-7SRA1200	Manual Rotation Stage	Improved on the basis of Model 7SRA1200 Rational angle range: 360° ; Max. Load: 60kg; Top stage size: ϕ 190; Overall size: 200x214x65mm	
1908035-7SRA1100A	Manual Rotation Stage	Improved on the basis of Model 7SRA1100A	

Customized Precision Combined Motion Stages

<p>2012111-LGPLA</p>	<p>8-P Filter Wheel</p>	<p>Clamping dia. ϕ 25.4mm, thickness 1mm</p>	
<p>2311047-LGPLA</p>	<p>12-P Filter Wheel</p>	<p>Clamping dia. ϕ 25.4mm, thickness 1mm</p>	

Customized Precision Combined Motion Stages

<p>1909002-LGPL</p>	<p>22-P Filter Wheel</p>	<p>Clamping Dia. 25 or 25.4mm; Thickness of filter: 1-4mm; Aperture of light through: ϕ 23mm.</p>	
<p>2303015-CLXT</p>	<p>Load Measuring System</p>	<p>Travel: 50mm; Top Platform size 120x160mm; Max. Load: 3kg; Min. stepper 50nm; Absolute repeatability \pm 200nm; Tensile Strength 5kgf.</p>	